



# T&S BRASS AND BRONZE WORKS, INC.

2 Saddleback Cove / P.O. Box 1088  
Travelers Rest, SC 29690

Model No.

**B-0831-PA**

Item No.

Travelers Rest, SC: 800-476-4103 • Simi Valley, CA: 800-423-0150 • Fax: 864-834-3518 • www.tsbrass.com



**ADA Compliant**

This Space for Architect/Engineer Approval

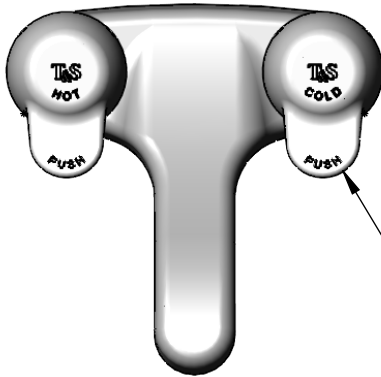
Job Name \_\_\_\_\_ Date \_\_\_\_\_

Model Specified \_\_\_\_\_ Quantity \_\_\_\_\_

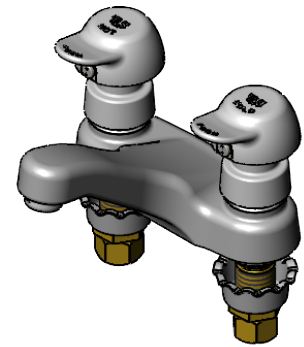
Customer/Wholesaler \_\_\_\_\_

Contractor \_\_\_\_\_

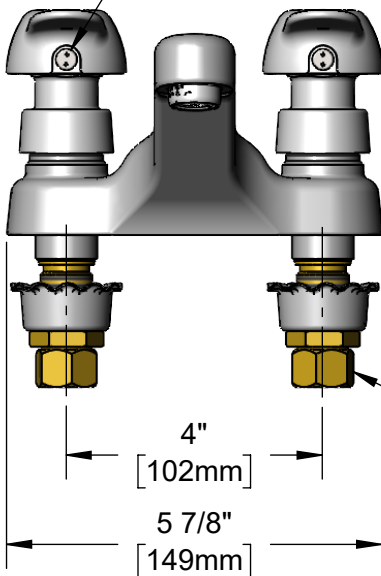
Architect/Engineer \_\_\_\_\_



Pivot Action Metering Cartridges  
w/ Hot & Cold Handles and  
Vandal Resistant Screws  
(Spanner Bit Included)



Loosen Vandal Resistant  
Screw (Do Not Remove)  
and Flip Handle Up to Access  
Metering Adjustment Screw  
(Requires 3/32" Hex Key)



Mounting  
Surface

1/2" NPSM Inlets  
w/ Coupling Nuts

4"  
[102mm]

5 7/8"  
[149mm]

B-0199-03  
2.2 GPM Aerator

2"  
[50mm]

4 1/4"  
[108mm]

3 1/2"  
[89mm]

3/4"  
[19mm]  
Maximum  
Thickness

2 1/8"  
[54mm]



Includes Spanner Bit for  
Vandal Resistant Screw

Rough-In Requirement:  
(2)  $\phi$  1 1/8" [29mm] Mounting Holes

**Product Specifications:**

4" Centerset Deck Mount Mixing Faucet, Pivot Action Metering Cartridges,  
2.2 GPM Aerator & 1/2" NPSM Male Inlets w/ Coupling Nuts

**Product Compliance:**

ASME A112.18.1 / CSA B125.1  
NSF 61 - Section 9  
NSF 372 (Low Lead Content)  
ANSI A117.1 (ADA)



# T&S BRASS AND BRONZE WORKS, INC.

2 Saddleback Cove / P.O. Box 1088  
Travelers Rest, SC 29690

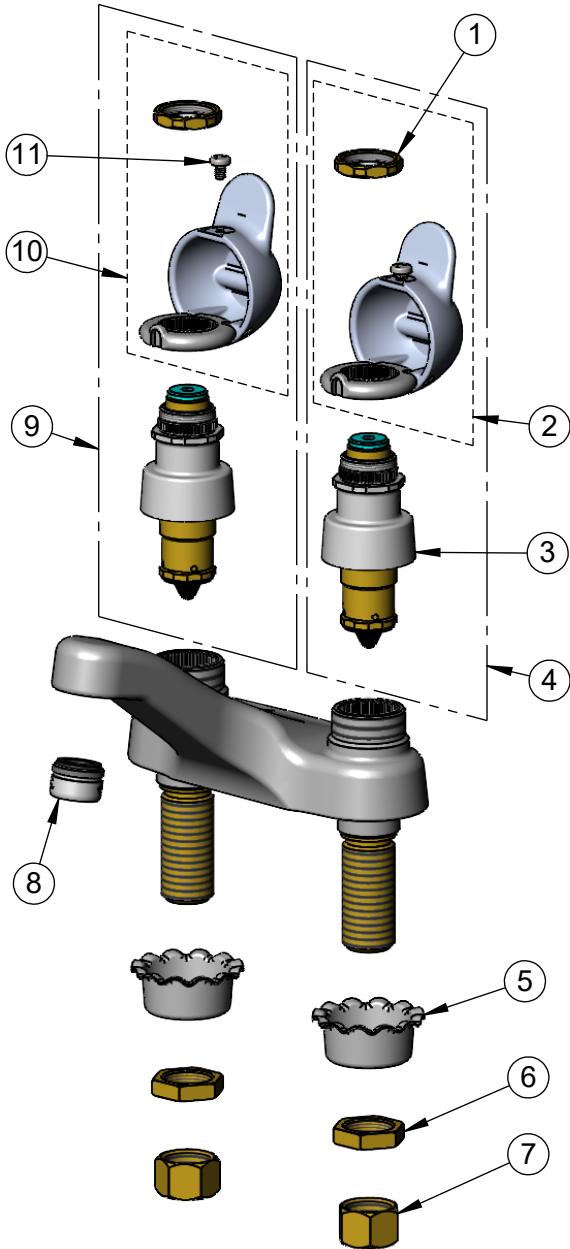
Model No.

**B-0831-PA**

Item No.

Travelers Rest, SC: 800-476-4103 • Simi Valley, CA: 800-423-0150 • Fax: 864-834-3518 • www.tsbrass.com

ITEM NO.	SALES NO.	DESCRIPTION
1	PA-N	Retaining Nut
2	PA-C	Cold Pivot Action Handle Asm. w/ Spanner Bit
3	238A-PA	Pivot Action Metering Cartridge w/ Retaining Nut
4	238AC-PA	Pivot Action Metering Cartridge w/ Cold PA Handle & Spanner Bit
5	001000-45	Rosette Washer
6	002954-45	Shank Lock Nut
7	000958-20	Coupling Nut
8	B-0199-03	2.2 GPM Aerator
9	238AH-PA	Pivot Action Metering Cartridge w/ Hot PA Handle & Spanner Bit
10	PA-H	Hot Pivot Action Handle Asm. w/ Spanner Bit
11	016654-45	Vandal Resistant SS Screw



014734-45  
Spanner Bit

**Product Specifications:**  
4" Centerset Deck Mount Mixing Faucet, Pivot Action Metering Cartridges,  
2.2 GPM Aerator & 1/2" NPSM Male Inlets w/ Coupling Nuts

**Product Compliance:**  
ASME A112.18.1 / CSA B125.1  
NSF 61 - Section 9  
NSF 372 (Low Lead Content)  
ANSI A117.1 (ADA)