



T&S BRASS AND BRONZE WORKS, INC.

2 Saddleback Cove / P.O. Box 1088
Travelers Rest, SC 29690

Model No.

B-0656-RGH

Item No.

Travelers Rest, SC: 800-476-4103 • Simi Valley, CA: 800-423-0150 • Fax: 864-834-3518 • www.tsbrass.com



ADA Compliant

This Space for Architect/Engineer Approval

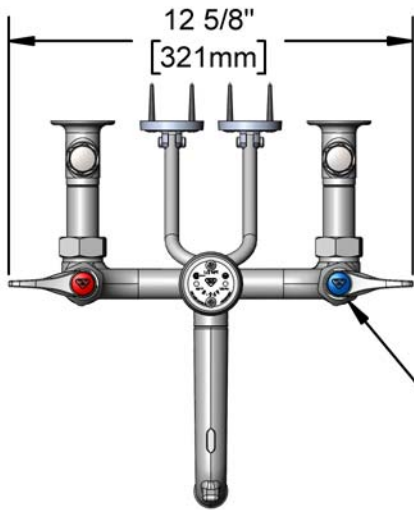
Job Name _____ Date _____

Model Specified _____ Quantity _____

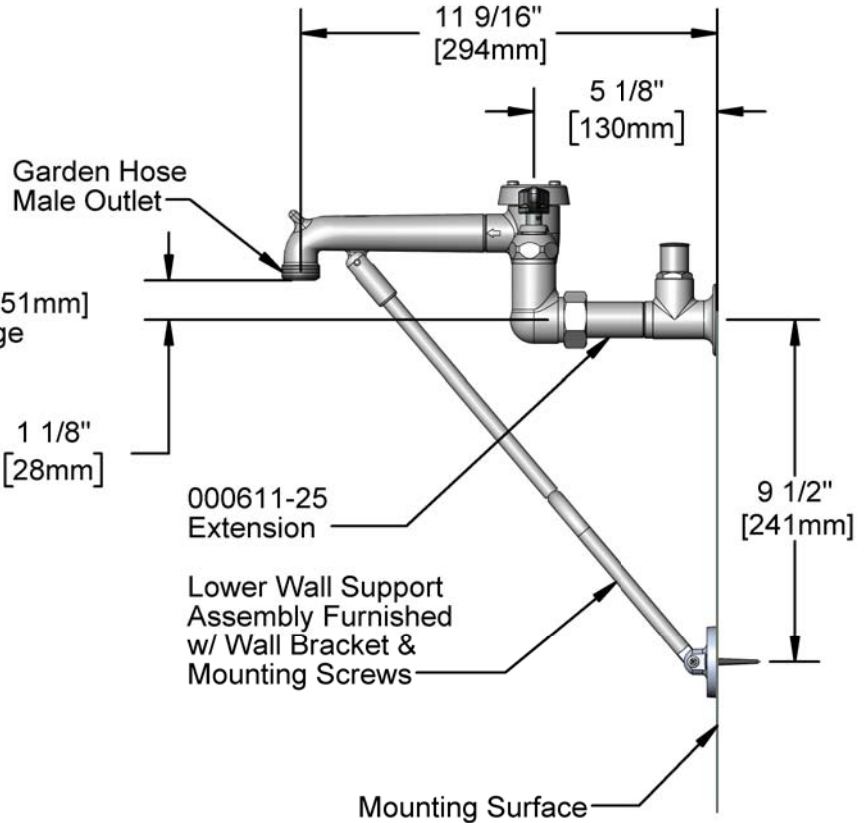
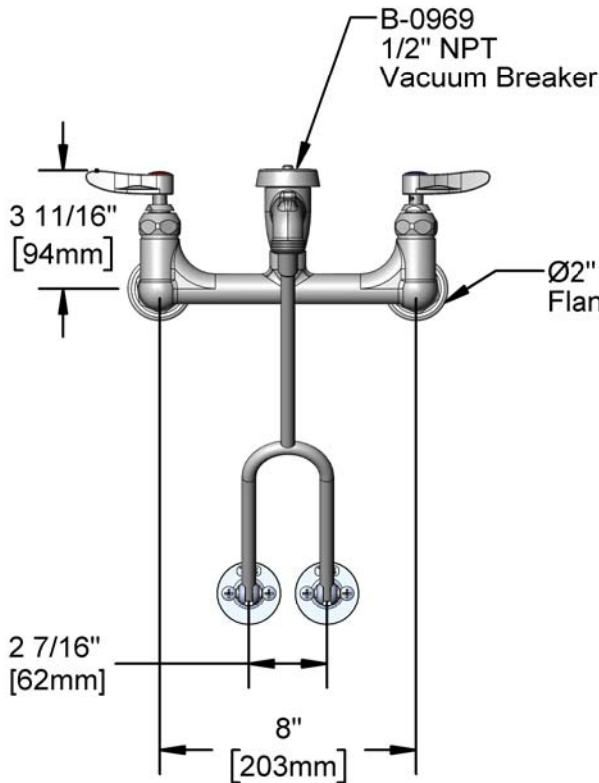
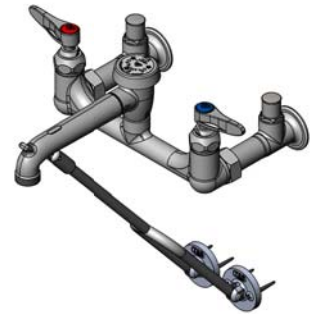
Customer/Wholesaler _____

Contractor _____

Architect/Engineer _____



Quarter-Turn Eterna Cartridges w/ Spring Checks & Lever Handles w/ Color Coded Indexes



Product Specifications:

8" Wall Mount Service Sink, Quarter-Turn Eterna Cartridges w/ Spring Checks, Rough Chrome Finish, Lever Handles, Lower Support Rod, 1/2" NPT Female Extended Inlets w/ Integral Stops, Garden Hose Male Outlet & 1/2" Vacuum Breaker

Product Compliance:

ASME A112.18.1 / CSA B125.1
NSF 61 - Section 9
NSF 372 (Low Lead Content)
ASSE 1001 (VB)
ANSI A117.1 (ADA)



T&S BRASS AND BRONZE WORKS, INC.

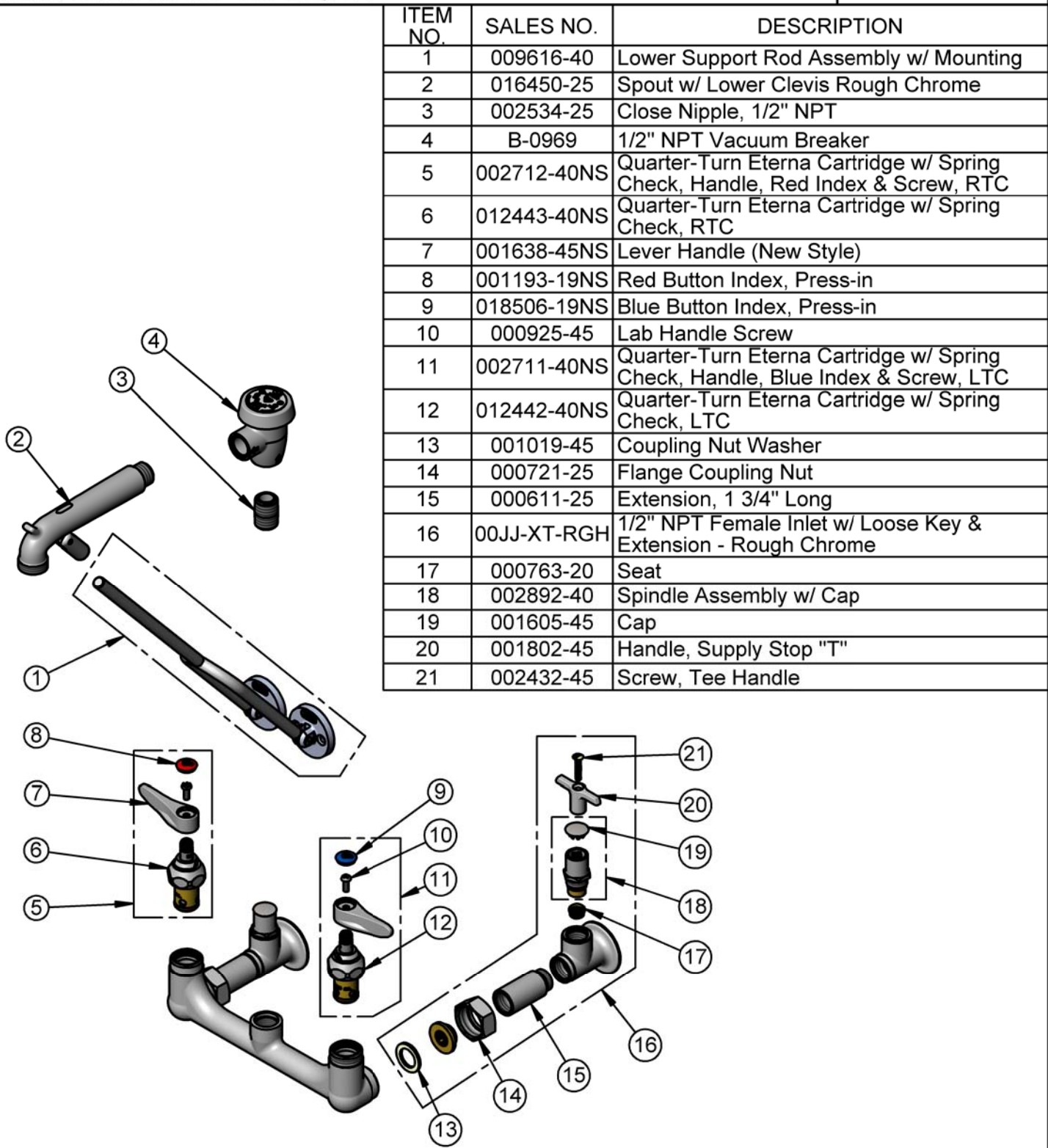
2 Saddleback Cove / P.O. Box 1088
Travelers Rest, SC 29690

Model No.

B-0656-RGH

Item No.

Travelers Rest, SC: 800-476-4103 • Simi Valley, CA: 800-423-0150 • Fax: 864-834-3518 • www.tsbrass.com



ITEM NO.	SALES NO.	DESCRIPTION
1	009616-40	Lower Support Rod Assembly w/ Mounting
2	016450-25	Spout w/ Lower Clevis Rough Chrome
3	002534-25	Close Nipple, 1/2" NPT
4	B-0969	1/2" NPT Vacuum Breaker
5	002712-40NS	Quarter-Turn Eterna Cartridge w/ Spring Check, Handle, Red Index & Screw, RTC
6	012443-40NS	Quarter-Turn Eterna Cartridge w/ Spring Check, RTC
7	001638-45NS	Lever Handle (New Style)
8	001193-19NS	Red Button Index, Press-in
9	018506-19NS	Blue Button Index, Press-in
10	000925-45	Lab Handle Screw
11	002711-40NS	Quarter-Turn Eterna Cartridge w/ Spring Check, Handle, Blue Index & Screw, LTC
12	012442-40NS	Quarter-Turn Eterna Cartridge w/ Spring Check, LTC
13	001019-45	Coupling Nut Washer
14	000721-25	Flange Coupling Nut
15	000611-25	Extension, 1 3/4" Long
16	00JJ-XT-RGH	1/2" NPT Female Inlet w/ Loose Key & Extension - Rough Chrome
17	000763-20	Seat
18	002892-40	Spindle Assembly w/ Cap
19	001605-45	Cap
20	001802-45	Handle, Supply Stop "T"
21	002432-45	Screw, Tee Handle

Product Specifications:
8" Wall Mount Service Sink, Quarter-Turn Eterna Cartridges w/ Spring Checks, Rough Chrome Finish, Lever Handles, Lower Support Rod, 1/2" NPT Female Extended Inlets w/ Integral Stops, Garden Hose Male Outlet & 1/2" Vacuum Breaker

Product Compliance:
ASME A112.18.1 / CSA B125.1
NSF 61 - Section 9
NSF 372 (Low Lead Content)
ASSE 1001 (VB)
ANSI A117.1 (ADA)