



# T&S BRASS AND BRONZE WORKS, INC.

2 Saddleback Cove / P.O. Box 1088  
Travelers Rest, SC 29690

Model No.

**B-1210-01-WFK**

Item No.

Travelers Rest, SC: 800-476-4103 • Simi Valley, CA: 800-423-0150 • Fax: 864-834-3518 • www.tsbrass.com



**ADA Compliant**

This Space for Architect/Engineer Approval

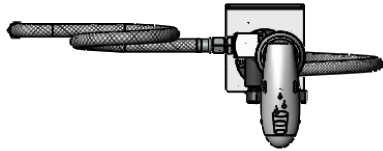
Job Name \_\_\_\_\_ Date \_\_\_\_\_

Model Specified \_\_\_\_\_ Quantity \_\_\_\_\_

Customer/Wholesaler \_\_\_\_\_

Contractor \_\_\_\_\_

Architect/Engineer \_\_\_\_\_



Dark Blue Lever Arm

Ø2" [51mm]  
Adjustable Flange

3/8" NPT Street Elbow

Adjustable Flow Outlet  
w/ Torx Wrench

3 3/4"  
[96mm]

10"  
[253mm]

6 11/16"  
[170mm]

11 5/16"  
[287mm]

3/8" Compression x 1/2" NPSM x  
18" [457mm] Long Connector Hose

1 1/8"  
[29mm]  
Maximum  
Thickness

3/8" Compression x  
20" [508mm] Long  
Inlet Hose

3/8" Compression x  
3/8" NPT Male Adapters

4 1/16"  
[104mm]

Docking Station w/  
Shut-off Lever

15 3/16"  
[386mm]

Allow for 2 5/8" [64mm]  
Clearance Below for  
Cartridge Removal

Replaceable  
Filter Cartridge

Ø 3 1/4"  
[83mm]

Rough-In Requirement:  
Ø 1" [25mm] Mounting Hole

Product Specifications:  
10" Pedestal Type Glass Filler w/ Water Filtration Kit

Product Compliance:  
ASME A112.18.1 / CSA B125.1  
NSF 61 - Section 9  
NSF 372 (Low Lead Content)  
ANSI A117.1 (ADA)



# T&S BRASS AND BRONZE WORKS, INC.

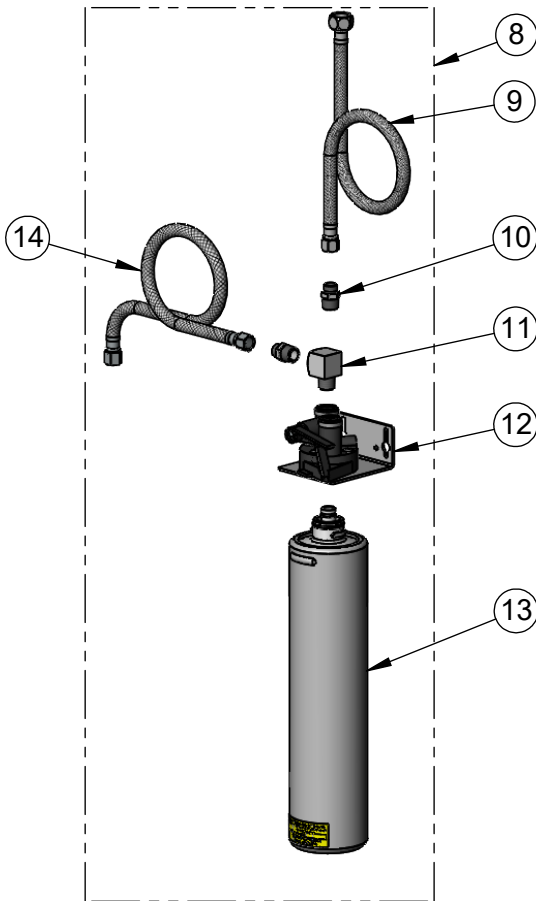
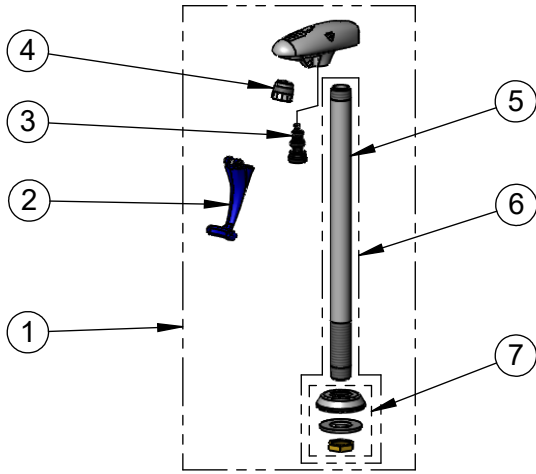
2 Saddleback Cove / P.O. Box 1088  
Travelers Rest, SC 29690

Model No.

**B-1210-01-WFK**

Item No.

Travelers Rest, SC: 800-476-4103 • Simi Valley, CA: 800-423-0150 • Fax: 864-834-3518 • www.tsbrass.com



ITEM NO.	SALES NO.	DESCRIPTION
1	B-1210-01	10" Pedestal Type Glass Filler
2	015550-45	Lever Arm Repair Kit
3	015589-40	Valve
4	015588-40	Adjustable Outlet w/ Torx Wrench
5	015888-40	B-1210-01 Pedestal
6	015889-40	Pedestal
7	016783-40	Adjustable Deck Flange Repair Kit
8	B-WFK	Water Filtration Kit
9	5EF-0005	Supply Hose, 9/16-24 Female x 1/2" NPSM
10	006101-45	Adapter, 3/8" NPT x 9/16"-24 UN Male
11	148X	Street Elbow, 3/8" NPT
12	B-WFDS	Water Filtration Docking Station
13	B-WFC	Filter Cartridge
14	013146-45	Supply Hose, 9/16-24 Fem (3/8" Compression)



016640-45  
T-45 Torx Wrench  
for Adjustable Outlet

Product Specifications:  
10" Pedestal Type Glass Filler w/ Water Filtration Kit

Product Compliance:  
ASME A112.18.1 / CSA B125.1  
NSF 61 - Section 9  
NSF 372 (Low Lead Content)  
ANSI A117.1 (ADA)