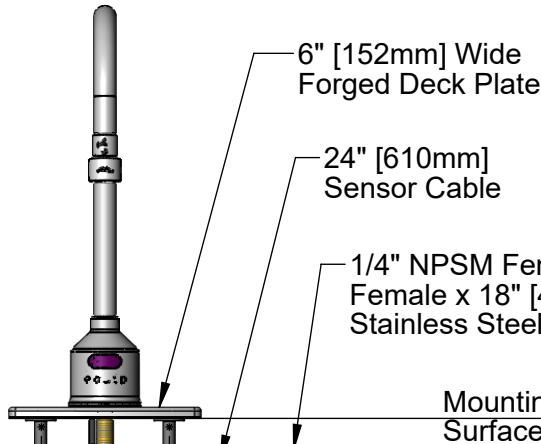
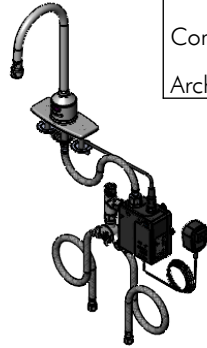


ADA Compliant

This Space for Architect/Engineer Approval

Job Name _____ Date _____
 Model Specified _____ Quantity _____
 Customer/Wholesaler _____
 Contractor _____
 Architect/Engineer _____

Rigid Gooseneck w/
 B-0199-06-WS
 1.5 GPM Vandal
 Resistant Aerator & Key

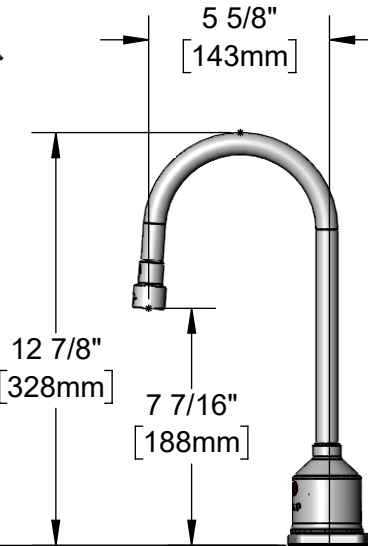


6" [152mm] Wide
 Forged Deck Plate

24" [610mm]
 Sensor Cable

1/4" NPSM Female x 1/2" NPSM
 Female x 18" [457mm] Flexible
 Stainless Steel Hose

Mounting
 Surface



1 1/2"
 [39mm]
 Maximum
 Thickness

4"
 [102mm]

Removable
 Strainer

Mechanical Mixing
 Valve w/ Integral
 Check Valves

4" x 4 3/8" x 2 3/16" Deep
 [102mm x 111mm x 56mm]
 Control Module Box
 (Black) w/ Water Resistant
 Connections. AC or DC
 Operated w/ (4) AA Batteries

100-240 VAC Adapter
 72" [1830mm] Power
 Cord (Remove Rubber
 Plug in Module to Connect)

(2) 3/8" Compression x 1/2" NPSM
 18" [457mm] Flexible Stainless
 Steel
 Supply Hose

Rough-In Requirement:
 Ø 1" [25mm] Mounting Hole

Model Number

5EF-1D-DG-4DPWS

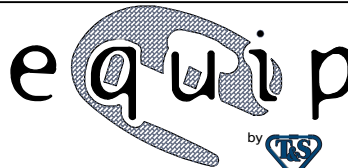
Product Specifications:

**Electronic Faucet: Deck Mount, Rigid Gooseneck, VR 1.5 GPM
 Aerator, AC-DC Control Module, Temperature Control Mixing
 Valve, Integral Check Valves, 4" c/c Deck Plate &
 (2) 18" Flexible Supply Hoses**

Product Compliance:

ASME A112.18.1 / CSA B125.1
 NSF 61 - Section 9
 NSF 372 (Low Lead Content)
 ANSI A117.1 (ADA)
 EPA WaterSense
 UL 1951

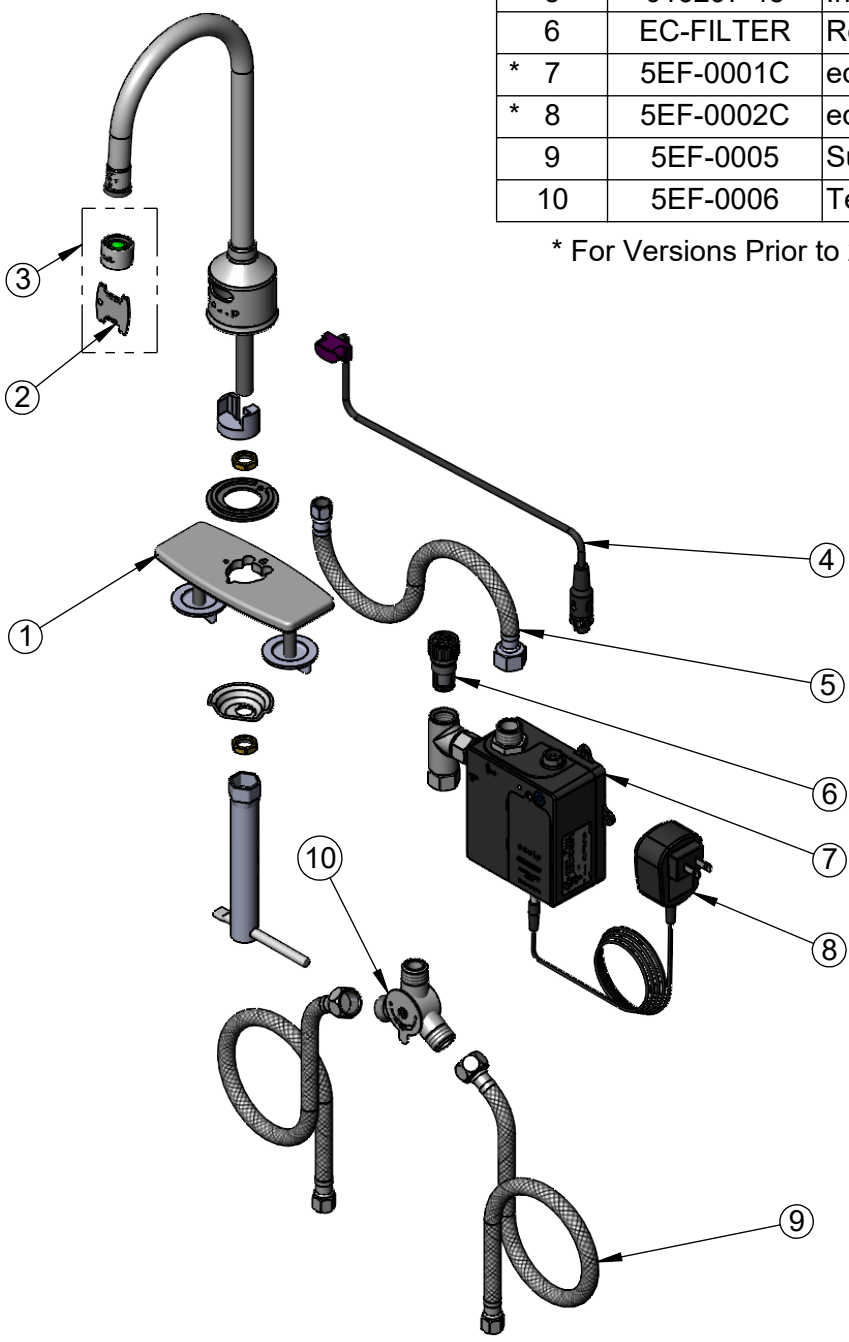
equip
 Foodservice
 Accessories



2 Saddleback Cove, P.O. Box 1088
 Travelers Rest, South Carolina 29690
 Phone: 800.891.4808 Fax: 800.868.0084
 equip.tsbrass.com

ITEM NO.	SALES NO.	DESCRIPTION
1	013433-40	4" c/c Forged Deck Plate
2	015425-45	Vandal Resistant Key
3	B-0199-06-WS	VR 1.5 GPM Aerator, 55/64-27 UN Female w/ Key
* 4	5EF-0004C	Sensor Cable w/ Curved Lens
5	016297-45	Inlet Hose, Faucet, 1/2" NPSM-F x 1/4" NPSM-F
6	EC-FILTER	Replacement Filter
* 7	5EF-0001C	equip Control Module (Black)
* 8	5EF-0002C	equip AC Transformer, 100-240 VAC
9	5EF-0005	Supply Hose, 9/16-24 Female x 1/2" NPSM
10	5EF-0006	Temperature Mixing Valve

* For Versions Prior to 2024, Consult with Customer Service



Model Number
5EF-1D-DG-4DPWS

Product Compliance:
ASME A112.18.1 / CSA B125.1
NSF 61 - Section 9
NSF 372 (Low Lead Content)
ANSI A117.1 (ADA)
EPA WaterSense
UL 1951

Product Specifications:
Electronic Faucet: Deck Mount, Rigid Gooseneck, VR 1.5 GPM Aerator, AC-DC Control Module, Temperature Control Mixing Valve, Integral Check Valves, 4" c/c Deck Plate & (2) 18" Flexible Supply Hoses

equip
Foodservice
Accessories



2 Saddleback Cove, P.O. Box 1088
Travelers Rest, South Carolina 29690
Phone: 800.891.4808 Fax: 800.868.0084
equip.tsbrass.com