



# Gas Appliance Installation Kit POSI-SET

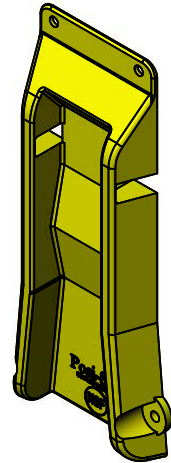
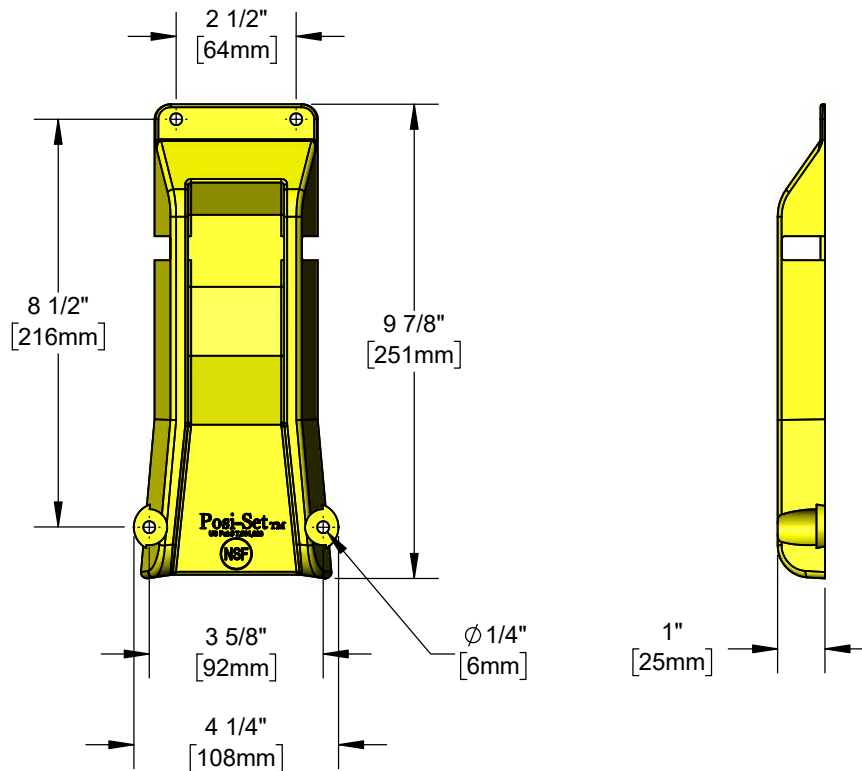
TAG:

## Wheel Placement System

### Architect/Engineering Specifications:

Posi-set appliance locating device. Certified to NFPA 54.

Job Name \_\_\_\_\_  
 Model Specified \_\_\_\_\_ Quantity \_\_\_\_\_  
 Variations Specified \_\_\_\_\_  
 Date \_\_\_\_\_



### Features & Benefits:

- Appliance locating device
- Material: heat and impact resistant plastic

### Product Compliance:

- NFPA 54

**Warranty:** One Year Warranty

### Performance Data:

- N/A



T&S BRASS AND BRONZE WORKS, INC.



• 2 Saddleback Cove • Travelers Rest, SC 29690  
 Ph 800-476-4103 • Fax 864-834-3518  
 • Simi Valley, CA • Ph 800-423-0150 • www.tsbrass.com

Date: 07/19/19