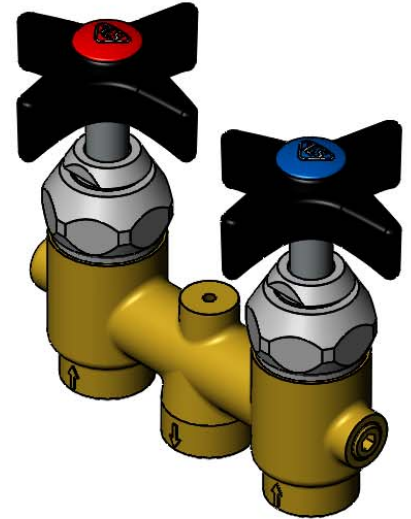
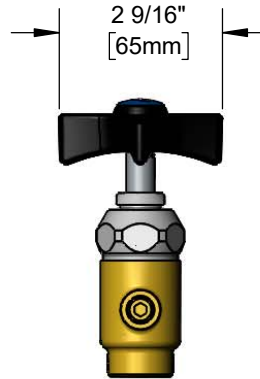
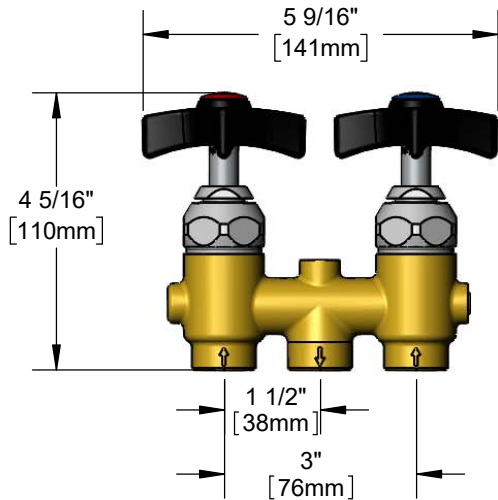




Architect/Engineering Specifications:

3" concealed mixing faucet, compression cartridges with spring checks, 4-arm polypropylene handles and 3/8" NPT female inlets and outlet. Certified to ASME A112.18.1/CSA B125.1, NSF 61-Section 9 and NSF 372. Meets ADA ANSI/ICC A117.1 requirements.

Job Name _____
 Model Specified _____ Quantity _____
 Variations Specified _____
 Date _____



Features & Benefits:

- 3" concealed mixing faucet
- Quarter-turn Eterna compression cartridges w/ spring checks to prevent cross flow of water
- Black polypropylene 4-arm handles w/ color coded indexes
- 3/8" NPT female inlets
- 3/8" NPT female outlet
- Material: Brass body and black polypropylene handles

Product Compliance:

- ASME A112.18.1 / CSA B125.1
- NSF 61 - Section 9
- NSF 372 (Low Lead Content)
- ANSI A117.1 (ADA)



Warranty: One Year (Limited)

Performance Data:

- Pressure: 20 - 125 psi [1.38 - 8.62 bar]
- Temperature: 40 °F - 140 °F [4.44 °C - 60 °C]
- Flow Rate: 15.40 GPM [15.30 L/min] @ 60 psi [4.14 bar]



ADA Compliant

Optional Handles

- 4" Wrist Action
- Lever
- 4-Arm (Standard)

