



Faucets and Fittings

5SP-12-F15

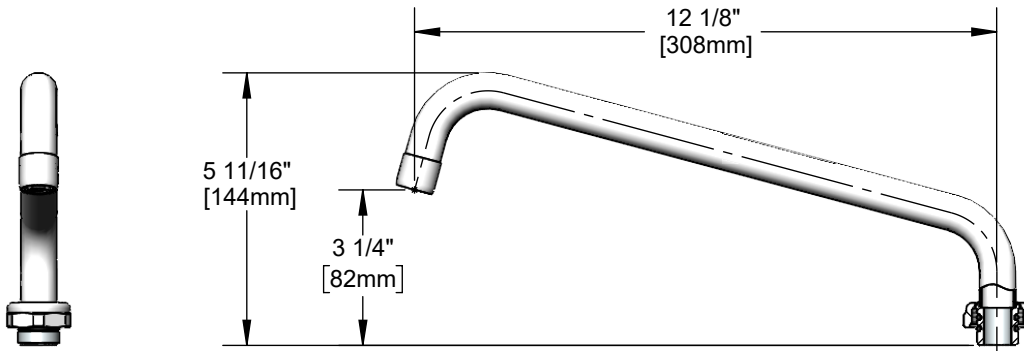
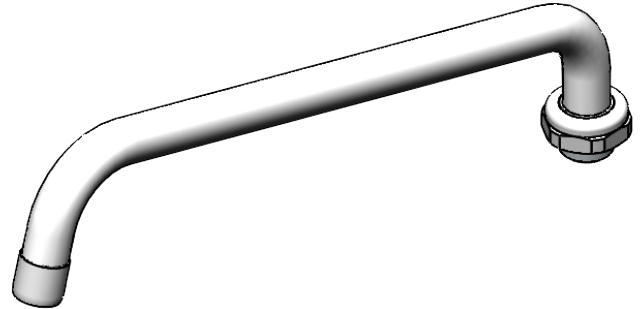
TAG:

12 1/8" Swing Nozzle

Architect/Engineering Specifications:

12 1/8" swing nozzle with polished chrome plated brass tubular body and 1.5 GPM aerator with 3/4-27UN female threads. Certified to ASME A112.18.1/CSA B125.1, NSF 61-Section 9 and NSF 372.

| | |
|----------------------|-------|
| Job Name | _____ |
| Model Specified | _____ |
| Quantity | _____ |
| Variations Specified | _____ |
| Date | _____ |



Features & Benefits:

- 12 1/8" swing nozzle
- 1.5 GPM aerator with 3/4-27UN female threads
- Fits all equip swivel outlet faucets
- Material: Chrome plated brass tubular spout

Product Compliance:

- ASME A112.18.1 / CSA B125.1
- NSF 61 - Section 9
- NSF 372 (Low Lead Content)



Warranty: One Year (Limited)

Performance Data:

- Pressure: 20 - 125 psi [1.38 - 8.62 bar]
- Temperature: 40°F - 140°F [4.44°C - 60°C]
- Flow Rate: 1.5 GPM [5.7 L/min] @ 60 psi [4.14 bar]



equip Foodservice Accessories



• 2 Saddleback Cove • Travelers Rest, SC 29690
Ph 800-891-4808 • Fax 800-868-0084
www.tsbrass.com

Date: 10/30/23