



# T&S BRASS AND BRONZE WORKS, INC.

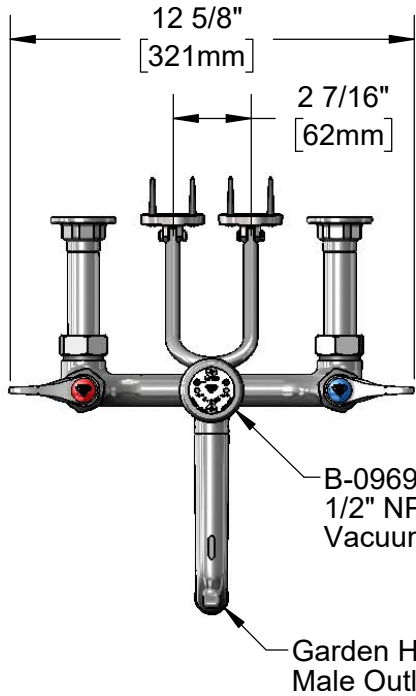
2 Saddleback Cove / P.O. Box 1088  
Travelers Rest, SC 29690

Model No.

**B-0655-BSTP-CR**

Item No.

Travelers Rest, SC: 800-476-4103 • Simi Valley, CA: 800-423-0150 • Fax: 864-834-3518 • www.tsbrass.com



**ADA Compliant**

This Space for Architect/Engineer Approval

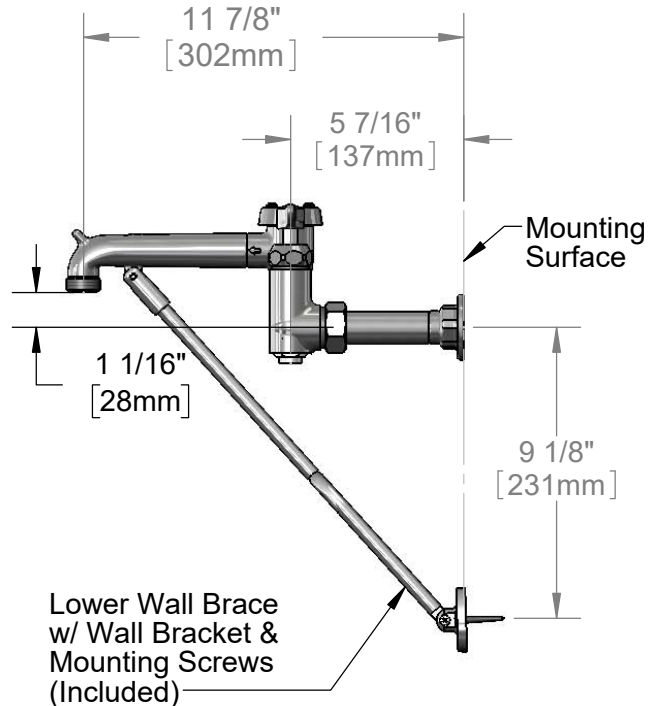
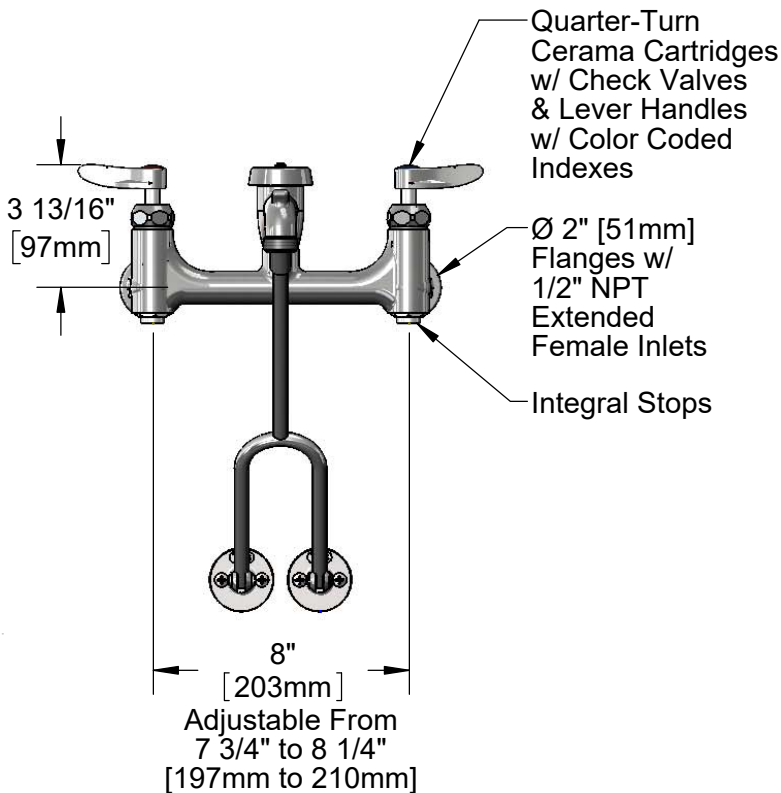
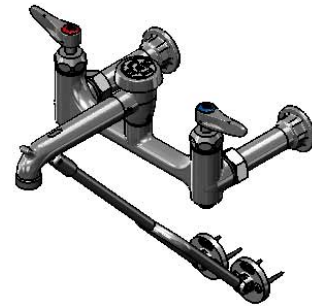
Job Name \_\_\_\_\_ Date \_\_\_\_\_

Model Specified \_\_\_\_\_ Quantity \_\_\_\_\_

Customer/Wholesaler \_\_\_\_\_

Contractor \_\_\_\_\_

Architect/Engineer \_\_\_\_\_



**Product Specifications:**

Service Sink Faucet, Polished Chrome Finish, Built-In Stops, Quarter-Turn Cerama Cartridges w/ Check Valves, Lever Handles, Lower Wall Brace, 1/2" NPT Female Extended Inlets & Garden Hose Outlet

**Product Compliance:**

ASME A112.18.1 / CSA B125.1  
NSF 61 - Section 9  
NSF 372 (Low Lead Content)  
ANSI A117.1 (ADA)  
ASSE 1001 (VB)



# T&S BRASS AND BRONZE WORKS, INC.

2 Saddleback Cove / P.O. Box 1088  
Travelers Rest, SC 29690

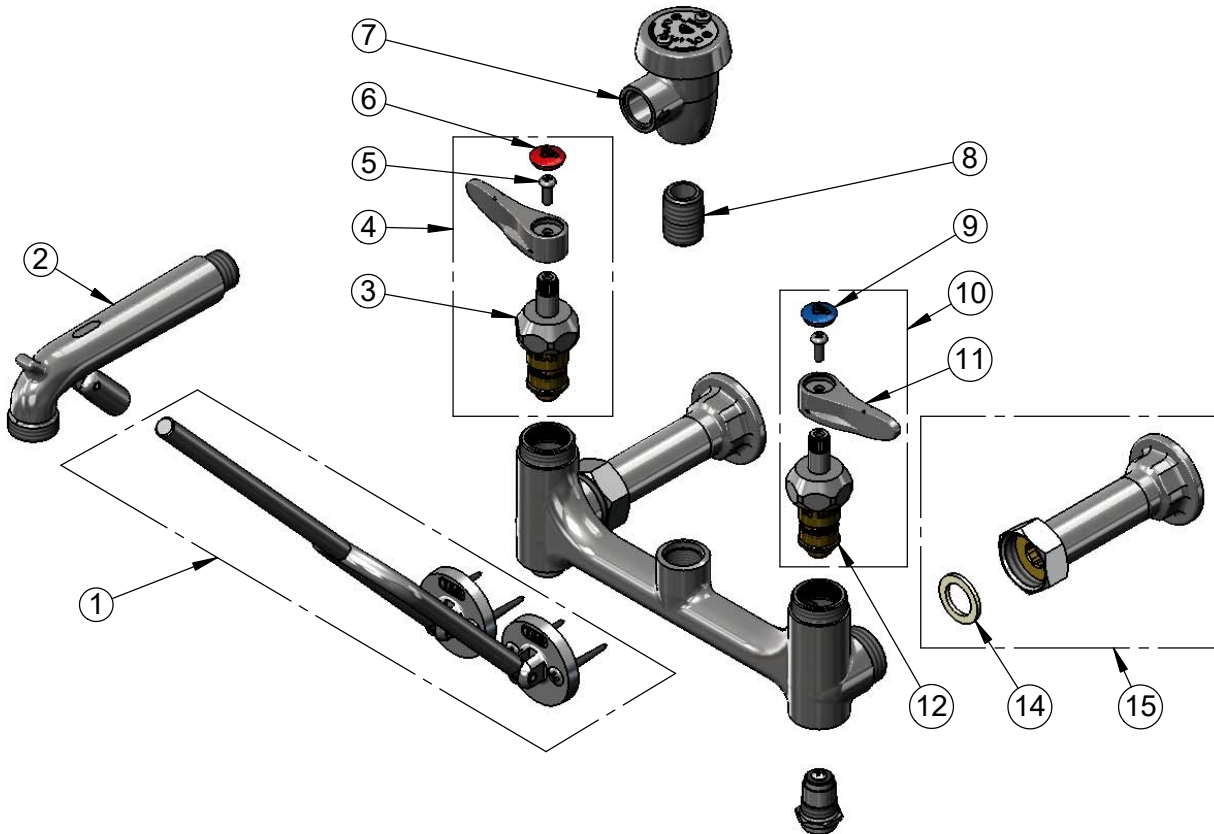
Model No.

**B-0655-BSTP-CR**

Item No.

Travelers Rest, SC: 800-476-4103 • Simi Valley, CA: 800-423-0150 • Fax: 864-834-3518 • www.tsbrass.com

ITEM NO.	SALES NO.	DESCRIPTION
1	009616-40	Lower Support Rod w/ Mounting Screws
2	016450-40	Spout w/ Bottom Support Clevis, Polished Chrome
3	012394-25NS	Quarter-Turn Cerama Cartridge w/ Check Valve, RTC
4	012446-25NS	Quarter-Turn Cerama Cartridge w/ Check Valve, Handle, Red Index & Screw, RTC
5	000925-45	Lab Handle Screw
6	001193-19NS	Red Button Index, Press-in
7	B-0969	1/2" NPT Vacuum Breaker
8	002534-25	Close Nipple, 1/2" NPT, Heavy Wall, Rough Chrome
9	018506-19NS	Blue Button Index, Press-in
10	012447-25NS	Quarter-Turn Cerama Cartridge w/ Check Valve, Handle, Blue Index & Screw, LTC
11	001638-45NS	Lever Handle (New Style)
12	012395-25NS	Quarter-Turn Cerama Cartridge w/ Check Valve, LTC
13	163A	Built-in Service Stop
14	001019-45	Coupling Nut Washer
15	B-0441	Inlet Extension, 1/2" NPT Female x 4" Long



**Product Specifications:**

Service Sink Faucet, Polished Chrome Finish, Built-In Stops, Quarter-Turn Cerama Cartridges w/ Check Valves, Lever Handles, Lower Wall Brace, 1/2" NPT Female Extended Inlets & Garden Hose Outlet

**Product Compliance:**

ASME A112.18.1 / CSA B125.1  
NSF 61 - Section 9  
NSF 372 (Low Lead Content)  
ANSI A117.1 (ADA)  
ASSE 1001 (VB)