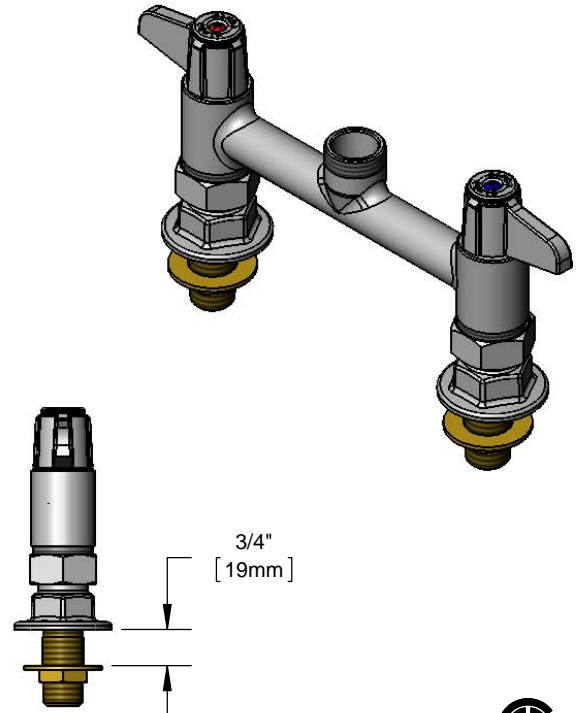
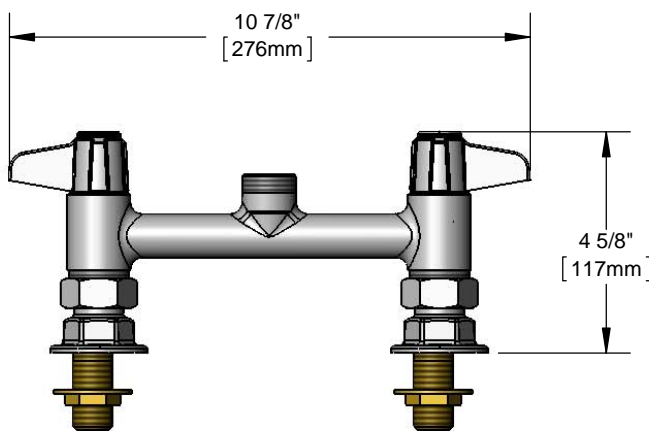


Architect/Engineering Specifications:

7" deck mount mixing faucet with polished chrome plated brass body, ceramic cartridges, lever handles and 1/2" NPT male inlets. Certified to ASME A112.18.1/CSA B125.1, NSF 61-Section 9 and NSF 372. Meets ADA ANSI/ICC A117.1 requirements.

Job Name _____
 Model Specified _____ Quantity _____
 Variations Specified _____
 Date _____



Features & Benefits:

- 7" deck mount mixing faucet with polished chrome plated brass body
- Swivel outlet accepts equip goosenecks
- Quarter-turn ceramic cartridges
- equip lever handles w/ color coded screws
- 1/2" NPT female inlets w/ $\varnothing 2$ " flanges
- 1/2" NPT male supply nipples
- Material: Polished chrome plated brass body & chrome plated metal handles

Product Compliance:

- ASME A112.18.1 / CSA B125.1
- NSF 61 - Section 9
- NSF 372 (Low Lead Content)
- ANSI A117.1 (ADA)

Warranty: One Year (Limited)

Performance Data:

- Pressure: 20 - 125 psi
- Temperature: 40 °F - 140 °F
- Flow Rate: 19.70 GPM @ 60 psi

(Outlet Device &/or Final Configuration May Reduce Flow Rate)



ADA Compliant

equip Swing Nozzles

- 5SP-06 6" Swing Nozzle
- 5SP-08 8" Swing Nozzle
- 5SP-10 10" Swing Nozzle
- 5SP-12 12" Swing Nozzle
- 5SP-14 14" Swing Nozzle
- 5SP-16 16" Swing Nozzle
- 5SP-18 18" Swing Nozzle

equip Swivel Goosenecks (D x K)

- 5SP-05 5 3/4" x 8 9/16" Swivel Gooseneck
- 5SP-09 9" x 7" Swivel Gooseneck