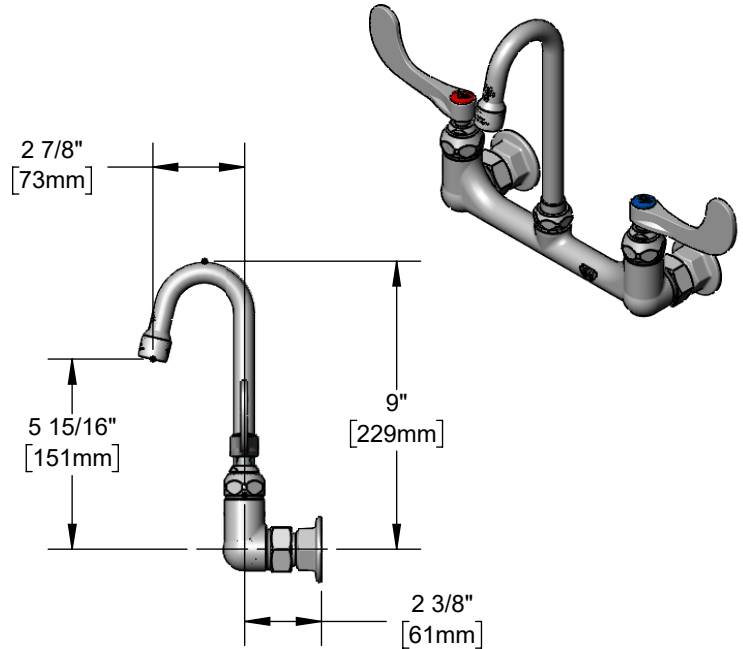
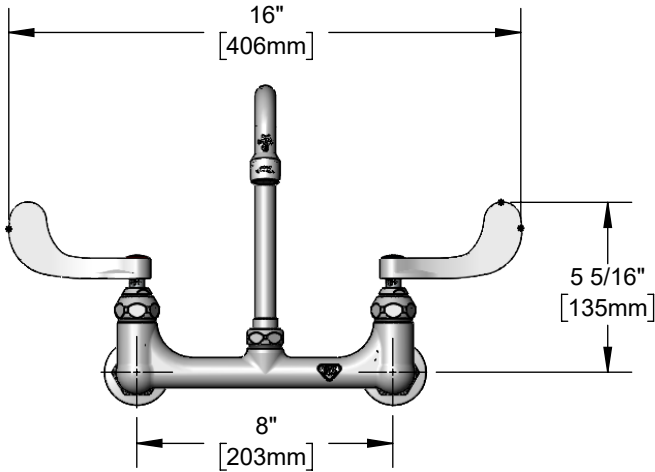




#### Architect/Engineering Specifications:

8" wall mount mixing faucet with polished chrome plated brass body, 2 7/8" swivel/rigid gooseneck with 1.2 GPM aerator outlet, compression cartridges with spring checks, 4" wrist action handles and 1/2" NPT female inlets. Certified to ASME A112.18.1/CSA B125.1, NSF 61-Section 9 and NSF 372. Meets ADA ANSI/ICC A117.1 requirements.

Job Name \_\_\_\_\_  
 Model Specified \_\_\_\_\_ Quantity \_\_\_\_\_  
 Variations Specified \_\_\_\_\_  
 Date \_\_\_\_\_



#### Features & Benefits:

- 8" wall mount mixing faucet with polished chrome plated brass body
- 2 7/8" swivel/rigid gooseneck
- Lock washer provided for rigid application
- 1.2 GPM aerator outlet, Series 1 (B-0199-01-F12)
- Quarter-turn Eterna compression cartridges w/ spring checks to prevent cross flow of water
- 4" wrist action handle w/ color coded indexes
- 1/2" NPT female eccentric inlets w/ Ø2" flanges
- Adjustable centers from 7 3/4" to 8 1/4"
- Material: Polished chrome plated brass body & tubular spout and chrome plated metal handles

#### Product Compliance:

- ASME A112.18.1 / CSA B125.1
- NSF 61 - Section 9
- NSF 372 (Low Lead Content)
- ANSI A117.1 (ADA)
- EPA WaterSense

**Warranty:** One Year (Limited)

#### Performance Data:

- Pressure: 20 - 125 psi [1.38 - 8.62 bar]
- Temperature: 40°F - 140°F [4.44°C - 60°C]
- Flow Rate: 1.2 GPM [4.54 L/min] @ 60 psi [4.14 bar]



ADA Compliant



#### Optional Outlets (Series 1 / VR Series 6)

| GPM  | Aerated                                | Non-Aerated (Laminar)                   | VR Aerated                             | VR Non-Aerated (VR Laminar)             |
|------|--|---|--|---|
| 0.35 | N/A                                    | <input type="checkbox"/> B-0199-01-N035 | N/A                                    | <input type="checkbox"/> B-0199-06-N035 |
| 0.5  | N/A                                    | <input type="checkbox"/> B-0199-01-N05  | N/A                                    | <input type="checkbox"/> B-0199-06-N05  |
| 1.0  | <input type="checkbox"/> B-0199-01-F10 | N/A                                     | <input type="checkbox"/> B-0199-06-F10 | N/A                                     |
| 1.2  | Standard                               | <input type="checkbox"/> B-0199-01-LF12 | <input type="checkbox"/> B-0199-06-F12 | <input type="checkbox"/> B-0199-06-LF12 |
| 1.5  | <input type="checkbox"/> B-0199-01-WS  | <input type="checkbox"/> B-0199-29      | <input type="checkbox"/> B-0199-06-WS  | <input type="checkbox"/> B-0199-29VR    |
| 2.2  | <input type="checkbox"/> B-0199-01     | <input type="checkbox"/> B-0199-21      | <input type="checkbox"/> B-0199-06     | <input type="checkbox"/> B-0199-21-VRF  |

#### Optional Cartridges With Checks

- Quarter-Turn Cerama w/ Check Valve
- Quarter-Turn Eterna w/ Spring Check (Standrad)

#### Optional Handles

- 4" Wrist Action (Standard)
- Lever
- 4-Arm

