



# T&S BRASS AND BRONZE WORKS, INC.

2 Saddleback Cove / P.O. Box 1088  
Travelers Rest, SC 29690

Model No.

**B-0331-CR4-L22**

Item No.

Travelers Rest, SC: 800-476-4103 • Simi Valley, CA: 800-423-0150 • Fax: 864-834-3518 • www.tsbrass.com



**ADA Compliant**

This Space for Architect/Engineer Approval

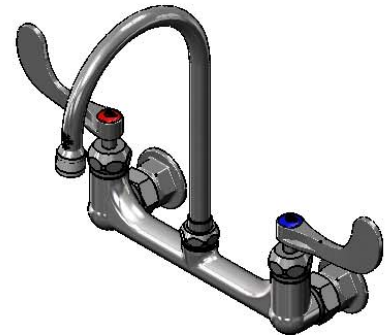
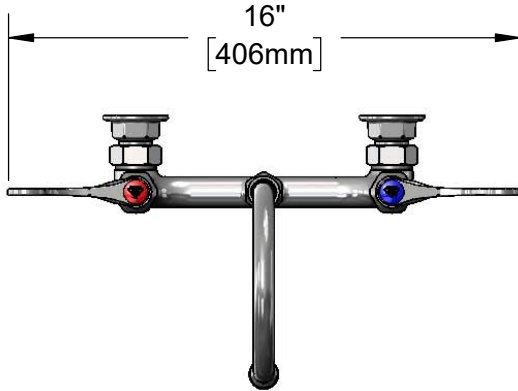
Job Name \_\_\_\_\_ Date \_\_\_\_\_

Model Specified \_\_\_\_\_ Quantity \_\_\_\_\_

Customer/Wholesaler \_\_\_\_\_

Contractor \_\_\_\_\_

Architect/Engineer \_\_\_\_\_



133X-LAM  
Swivel Gooseneck w/  
2.2 GPM Laminar Flow Device  
Converts to Rigid w/  
014200-45  
Lock Washer (Included).

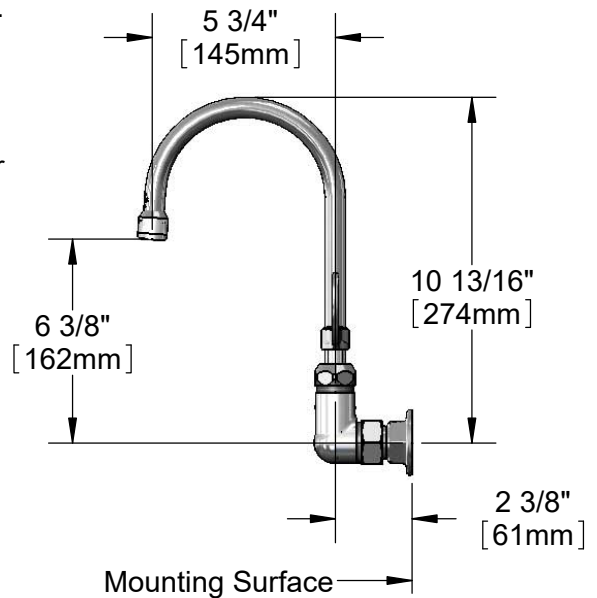
Quarter-Turn Cerama  
Cartridges w/ Check  
Valves & 4" Wrist  
Action Handles w/ Color  
Coded Indexes

Swivel Joint

5 5/16"  
[134mm]

Ø 2" [51mm]  
Flanges w/  
1/2" NPT  
Female Inlets

8"  
[203mm]  
Adjustable From  
7 3/4" to 8 1/4"  
[197mm to 210mm]



### Product Specifications:

8" Wall Mount Mixing Faucet, Quarter-Turn Cerama Cartridges w/ Check Valves, 4" Wrist Action Handles, 5 3/4" Swivel/Rigid Gooseneck w/ 2.2 GPM Laminar Flow Device & 1/2" NPT Female Inlets

### Product Compliance:

ASME A112.18.1 / CSA B125.1  
NSF 61 - Section 9  
NSF 372 (Low Lead Content)  
ANSI A117.1 (ADA)



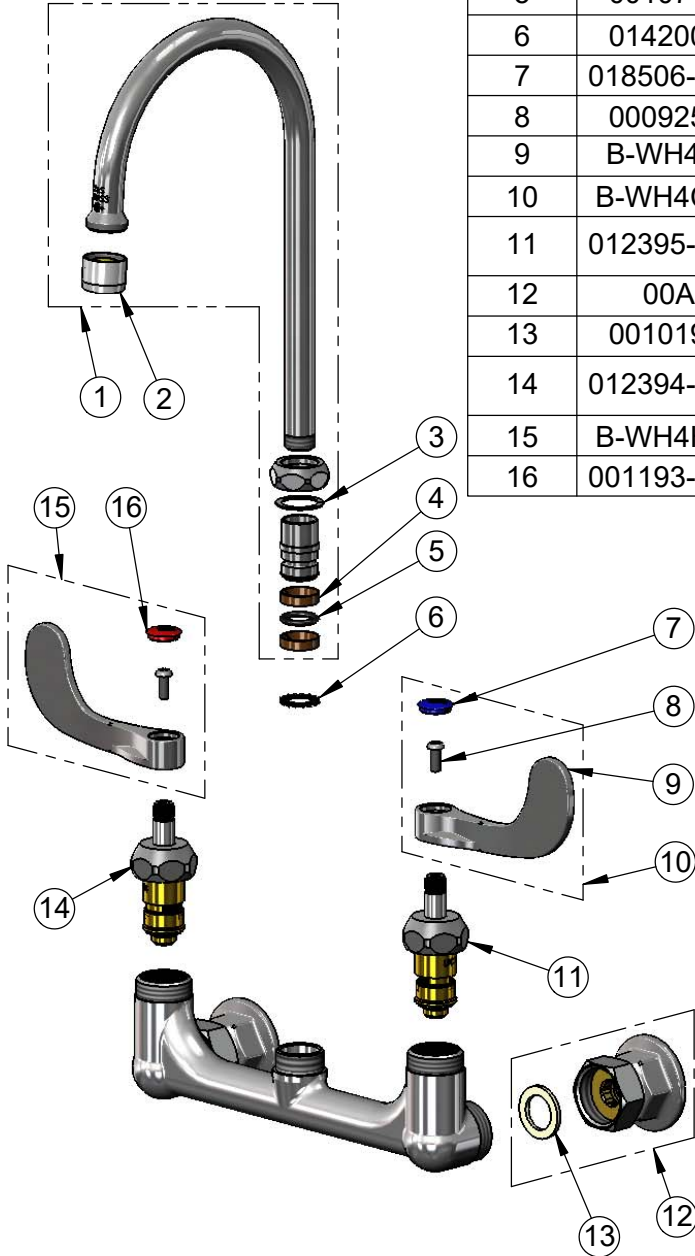
**T&S BRASS AND BRONZE WORKS, INC.**  
 2 Saddleback Cove / P.O. Box 1088  
 Travelers Rest, SC 29690

Model No.  
**B-0331-CR4-L22**

Item No.

Travelers Rest, SC: 800-476-4103 • Simi Valley, CA: 800-423-0150 • Fax: 864-834-3518 • www.tsbrass.com

| ITEM NO. | SALES NO.   | DESCRIPTION                                       |
|----------|-------------|---|
| 1        | 133X-LAM    | 5 3/4" Swivel Gooseneck w/ Laminar Flow Device    |
| 2        | B-0199-21   | Laminar Flow Device                               |
| 3        | 009538-45   | Swivel Washer                                     |
| 4        | 011429-45   | Swivel Sleeves (2)                                |
| 5        | 001074-45   | O-Ring  |
| 6        | 014200-45   | Star Washer, Anti-Rotation                        |
| 7        | 018506-19NS | Blue Button Index, Press-in                       |
| 8        | 000925-45   | Lab Handle Screw                                  |
| 9        | B-WH4-NS    | Wrist Action Handle (New Style)                   |
| 10       | B-WH4C-NS   | Wrist Action Handle, Blue Index & Screw           |
| 11       | 012395-25NS | Quarter-Turn Cerama Cartridge w/ Check Valve, LTC |
| 12       | 00AA        | 1/2" NPT Female Eccentric Flange                  |
| 13       | 001019-45   | Coupling Nut Washer                               |
| 14       | 012394-25NS | Quarter-Turn Cerama Cartridge w/ Check Valve, RTC |
| 15       | B-WH4H-NS   | Wrist Action Handle, Red Index & Screw            |
| 16       | 001193-19NS | Red Button Index, Press-in                        |



**Product Specifications:**

8" Wall Mount Mixing Faucet, Quarter-Turn Cerama Cartridges w/ Check Valves, 4" Wrist Action Handles, 5 3/4" Swivel/Rigid Gooseneck w/ 2.2 GPM Laminar Flow Device & 1/2" NPT Female Inlets

**Product Compliance:**

ASME A112.18.1 / CSA B125.1  
 NSF 61 - Section 9  
 NSF 372 (Low Lead Content)  
 ANSI A117.1 (ADA)