

5 9/16"  
[141mm]



**ADA Compliant**

*This Space for Architect/Engineer Approval*

Job Name \_\_\_\_\_ Date \_\_\_\_\_

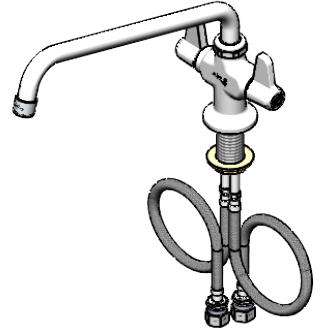
Model Specified \_\_\_\_\_ Quantity \_\_\_\_\_

Customer/Wholesaler \_\_\_\_\_

Contractor \_\_\_\_\_

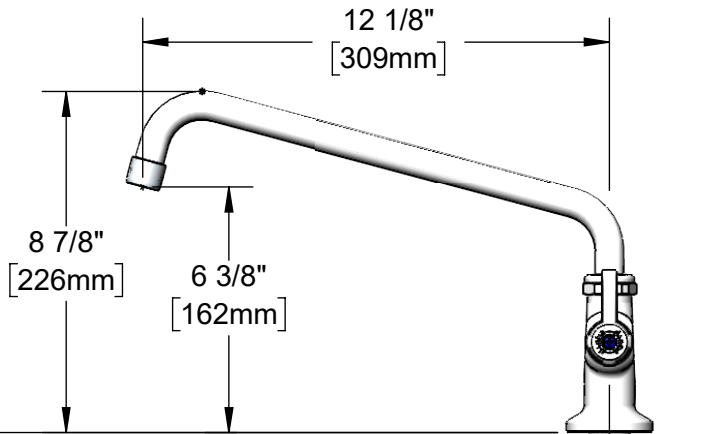
Architect/Engineer \_\_\_\_\_

5SP-12V15  
12" equip Swing Nozzle  
w/ 1.5 GPM VR Aerator.  
Rigid Conversion Requires  
014200-45 Lock Washer  
(Sold Separately)



Quarter-Turn Ceramic  
Cartridges & equip  
Lever Handles w/  
Color Coded Screws

1 7/8"  
[48mm]  
Maximum  
Thickness



Mounting Surface

Ø 2 1/4"  
[57mm]

Ø 1 1/8"  
[29mm]  
Shank

18" Flexible  
Stainless Steel  
Supply Hoses

Compression Fittings for  
5/8" O.D. Copper Tubing  
(Remove Compression Nut  
for 1/2" NPSM Male)

Rough-In Requirement:  
Ø 1 1/2" [38mm] Mounting Hole

Model Number

**5F-2SLX12V15**

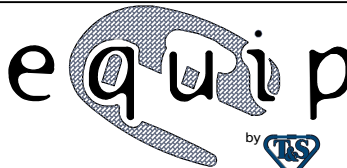
Product Specifications:

Single Hole Deck Mount Mixing Faucet, Quarter-Turn Ceramic Cartridges, equip Lever Handles, 12" equip Swing Nozzle, 1.5 GPM VR Aerator & 18" Flexible Inlets

Product Compliance:

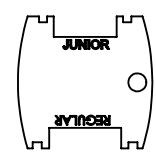
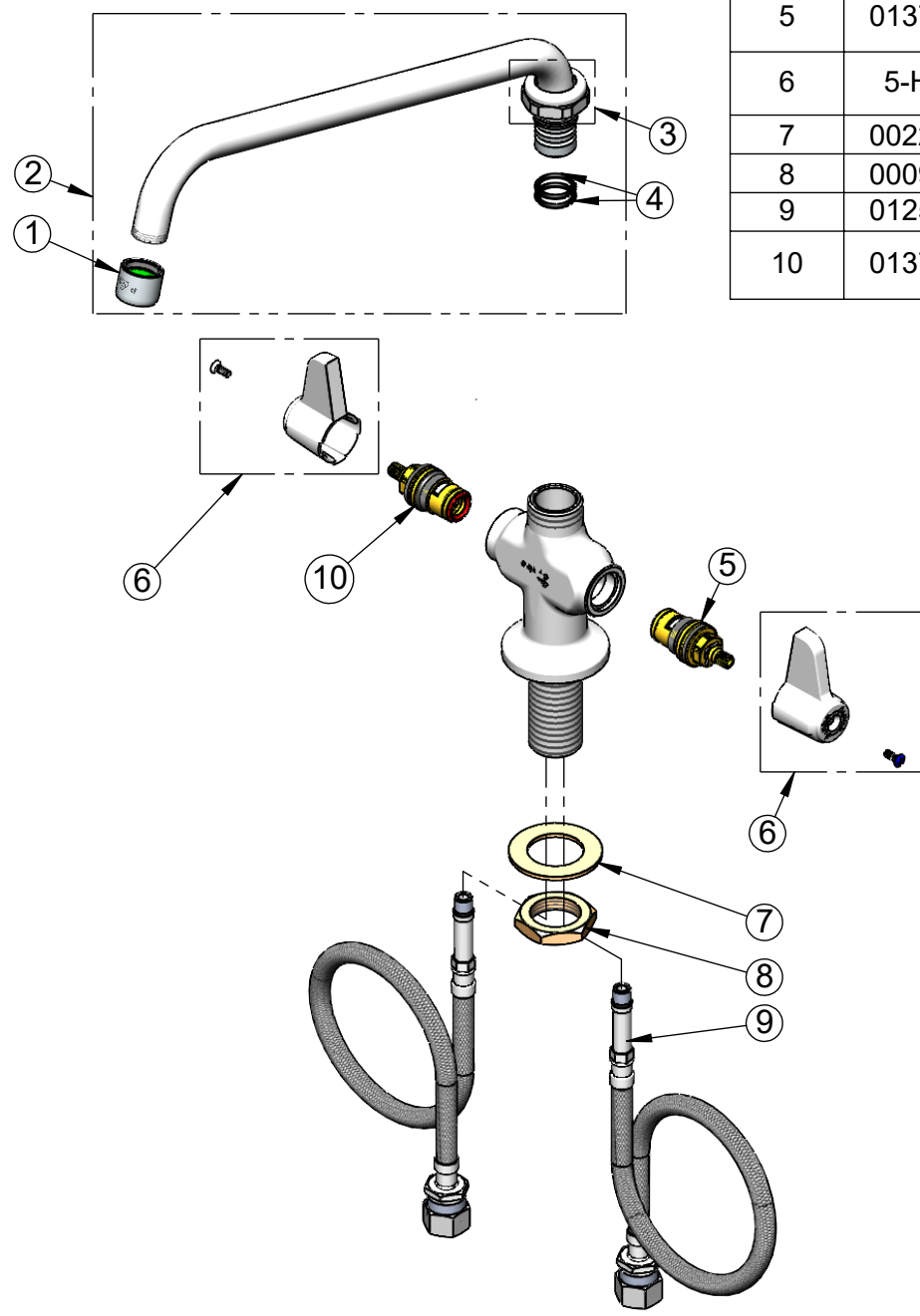
ASME A112.18.1 / CSA B125.1  
NSF 61 - Section 9  
NSF 372 (Low Lead Content)  
ANSI A117.1 (ADA)  
SASO (Saudi Arabia)

equip  
Foodservice  
Accessories



2 Saddleback Cove, P.O. Box 1088  
Travelers Rest, South Carolina 29690  
Phone: 800.891.4808 Fax: 800.868.0084  
equip.tsbrass.com

ITEM NO.	SALES NO.	DESCRIPTION
1	5F-VF15	1.5 GPM VR Aerator, 3/4-27 UN Female
2	5SP-12V15	12" equip Swing Nozzle
3	013839-25	equip Swivel Nut
4	013848-45	equip Swivel Piece O-Ring
5	013788-45	equip Quarter-Turn Ceramic Cartridge, LTC
6	5-HDL-L	equip Lever Handle w/ Color Coded Screws
7	002290-45	Lock Washer
8	000965-45	Lock Nut
9	012534-45	18" Flexible Supply Hose (2)
10	013787-45	equip Quarter-Turn Ceramic Cartridge, RTC



015425-45  
Vandal Resistant Key

Model Number  
**5F-2SLX12V15**

Product Specifications:  
Single Hole Deck Mount Mixing Faucet, Quarter-Turn Ceramic Cartridges, equip Lever Handles, 12" equip Swing Nozzle, 1.5 GPM VR Aerator & 18" Flexible Inlets

Product Compliance:  
ASME A112.18.1 / CSA B125.1  
NSF 61 - Section 9  
NSF 372 (Low Lead Content)  
ANSI A117.1 (ADA)  
SASO (Saudi Arabia)

equip Foodservice Accessories

2 Saddleback Cove, P.O. Box 1088  
Travelers Rest, South Carolina 29690  
Phone: 800.891.4808 Fax: 800.868.0084  
equip.tsbrass.com