

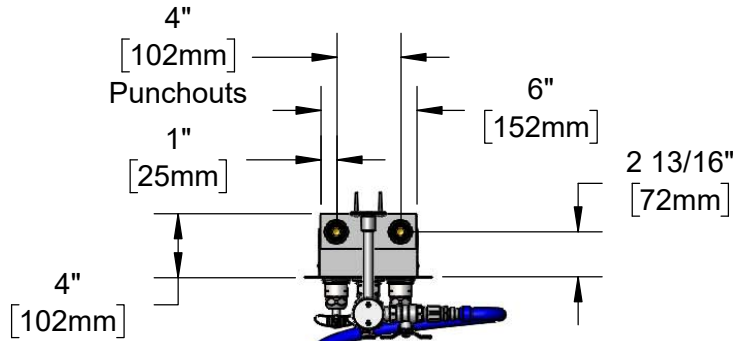


T&S BRASS AND BRONZE WORKS, INC.
 2 Saddleback Cove / P.O. Box 1088
 Travelers Rest, SC 29690

Model No.
B-1460-RMT-CR

Item No.

Travelers Rest, SC: 800-476-4103 • Simi Valley, CA: 800-423-0150 • Fax: 864-834-3518 • www.tsbrass.com



B-0963
 Continuous Pressure
 Vacuum Breaker w/
 Integral Check Valve

EasyInstall
 3/8" NPT x 18"
 Riser

3/8" NPT x 36"
 Flexible Water
 Connector

Wall Flange

Stainless Steel
 Quick Disconnect
 w/ 3/8" NPT Male Outlet

1/2" NPT
 Female
 Union Inlets

Swivel Elbow w/
 Ø 2" [51mm] Flange,
 1/2" NPT Female Inlet

1/2" Check
 Valve

Control Valve
 Body Behind Panel
 Operable From Outside
 of Closed Cabinet

Supply Stop

Mixing Faucet w/ Quarter-
 Turn Cerama Cartridges
 w/ Check Valves

2"
 [51mm]

34"
 [864mm]

2"
 [51mm]

8"
 [203mm] Cabinet Rough-In Requirement:
 32" H x 6" W x 4" D

This Space for Architect/Engineer Approval

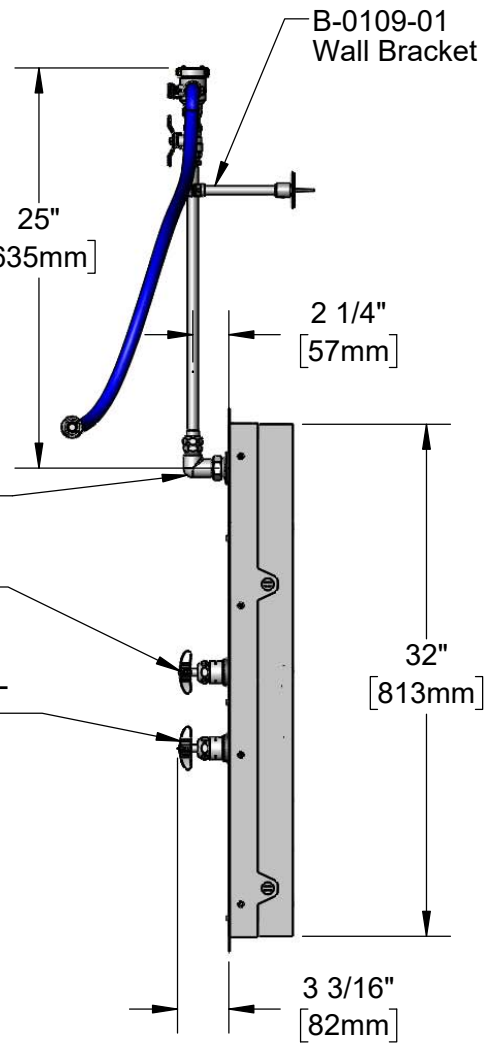
Job Name _____ Date _____

Model Specified _____ Quantity _____

Customer/Wholesaler _____

Contractor _____

Architect/Engineer _____



Product Specifications:

EasyInstall Hose Reel Recess Mounted Cabinet, Mixing Valve, Cerama Cartridges w/ Check Valves, Loose-Key Supply Stops, 1/2" NPT Female Union Inlets for Top Supplies, Control Valve w/ Cerama Cartridge, 1/2" NPT Riser, Check Valves, Swivel Elbows w/ 1/2" NPT Female Inlet, EasyInstall 3/8" NPT x 18" Riser, 6" Wall Bracket, Continuous Pressure Vac. Breaker w/ Integral Check Valve, Removable Flange, 36" Flexible Water Hose w/ Stainless Steel Quick Disconnect & 3/8" NPT Male Outlet

Product Compliance:

NSF 61 Exempt (Non-Portable)
 ASSE 1056 (VB)



T&S BRASS AND BRONZE WORKS, INC.

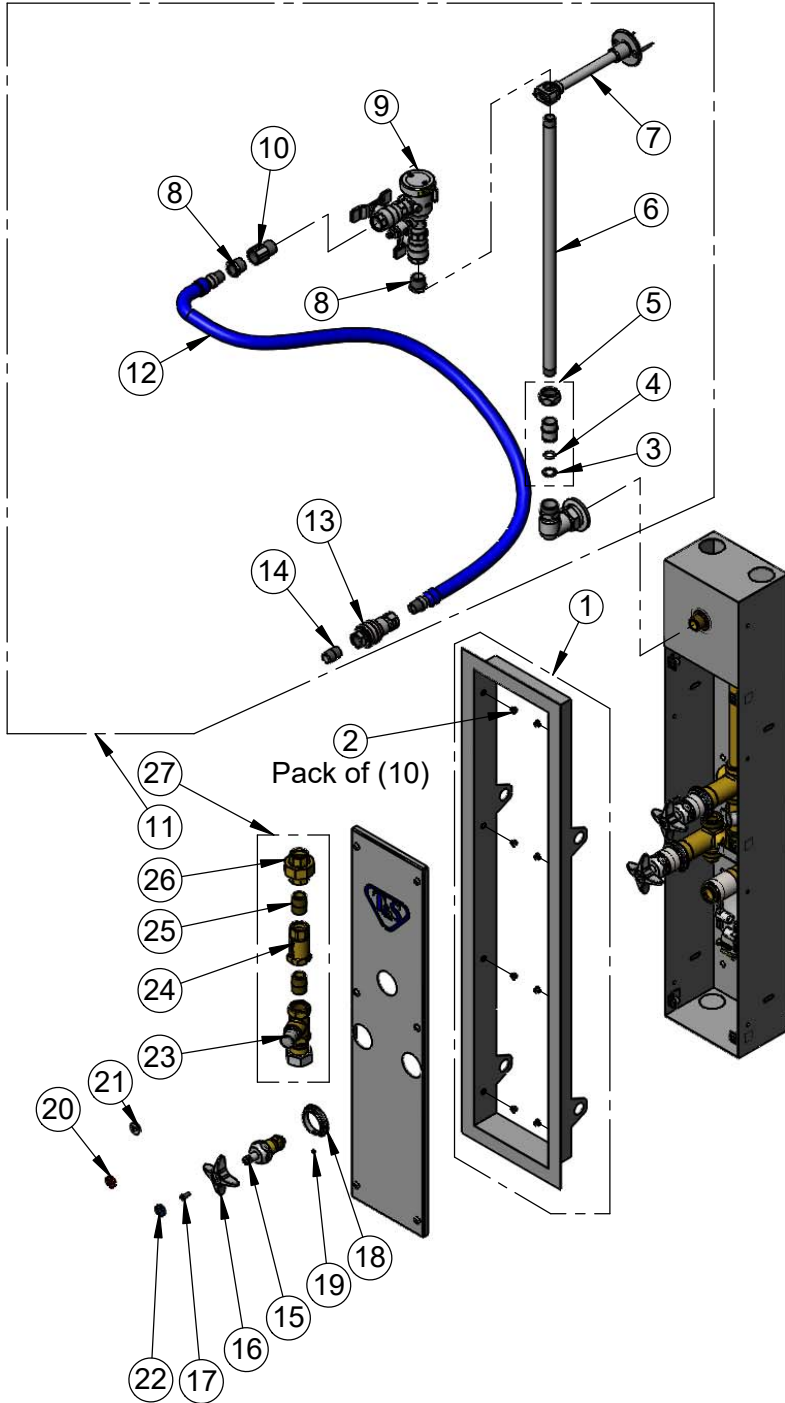
2 Saddleback Cove / P.O. Box 1088
Travelers Rest, SC 29690

Model No.

B-1460-RMT-CR

Item No.

Travelers Rest, SC: 800-476-4103 • Simi Valley, CA: 800-423-0150 • Fax: 864-834-3518 • www.tsbrass.com



| ITEM NO. | SALES NO. | DESCRIPTION |
|----------|-------------|---|
| 1 | 020828-45 | SS Hose Reel System Cabinet Flange Recessed Mount |
| 2 | 020840-45 | 10-32 x 3/16 Flange Screws, SS |
| 3 | 014200-45 | Star Washer, Anti-Rotation |
| 4 | 001065-45 | O-Ring |
| 5 | EZ-K | EasyInstall Kit: Nut, Bushing, O-Ring & Lock Washer |
| 6 | 000369-40 | 3/8" NPT x 18" Riser |
| 7 | B-0109-01 | 6" Wall Bracket |
| 8 | 001359-40 | Hex Bushing, 1/2" NPT Male x 3/8" NPT Female |
| 9 | B-0963 | Vacuum Breaker 1/2" NPT Female |
| 10 | 015073-40 | Check Valve w/ 1/2" NPT Adapter |
| 11 | 0RK-SK | Hose Reel Connector Kit |
| 12 | HW-2B-36 | 3/8" NPT x 36" Flexible Connector Hose |
| 13 | AW-5B | SS Quick Disconnect |
| 14 | 002535-25 | 3/8" NPT Close Nipple |
| 15 | 012394-25NS | Quarter-Turn Cerama w/ Check Valve, RTC |
| 16 | 002521-45NS | 4-Arm Handle (New Style) |
| 17 | 000925-45 | Lab Handle Screw |
| 18 | 020839-40 | Escutcheon |
| 19 | 000939-45 | Escutcheon, Set Screw |
| 20 | 001193-19NS | Red Button Index, Press In |
| 21 | 001205-19NS | White Blank Button Index |
| 22 | 018506-19NS | Blue Button Index, Press In |
| 23 | 020848-20 | Straight Loose Key Stop, Unplated |
| 24 | B-CVH1-2 | 1/2" NPT Check Valve |
| 25 | 002534-20 | 1/2" Male Close Nipple, Unplated |
| 26 | 006649-20 | 1/2" Union, Unplated |
| 27 | 020974-40 | Inlet Assembly |

Product Specifications:

EasyInstall Hose Reel Recess Mounted Cabinet, Mixing Valve, Cerama Cartridges w/ Check Valves, Loose-Key Supply Stops, 1/2" NPT Female Union Inlets for Top Supplies, Control Valve w/ Cerama Cartridge, 1/2" NPT Riser, Check Valves, Swivel Elbows w/ 1/2" NPT Female Inlet, EasyInstall 3/8" NPT x 18" Riser, 6" Wall Bracket, Continuous Pressure Vac. Breaker w/ Integral Check Valve, Removable Flange, 36" Flexible Water Hose w/ Stainless Steel Quick Disconnect & 3/8" NPT Male Outlet

Product Compliance:

NSF 61 Exempt (Non-Portable)
ASSE 1056 (VB)