



Architect/Engineering Specifications:

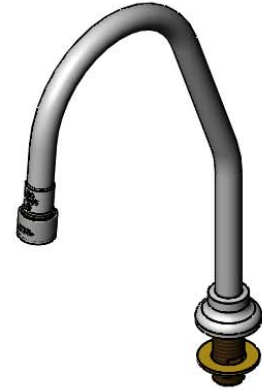
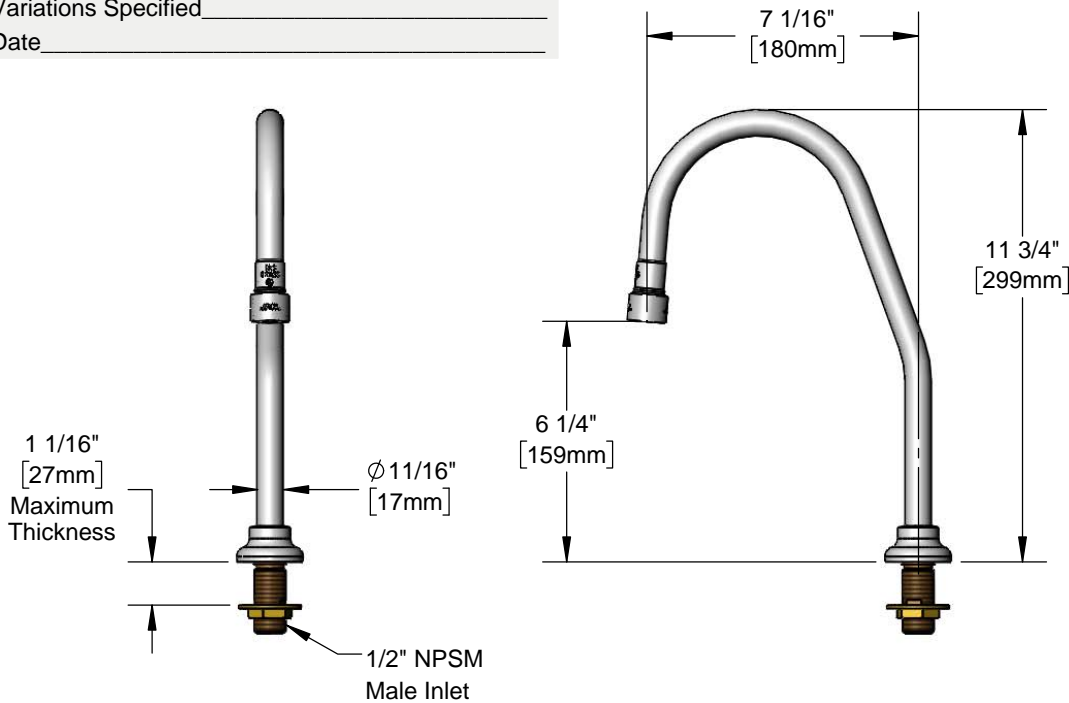
Deck mount 7" rigid surgical bend nozzle with polished chrome plated brass deck flange, 1.5 GPM VR laminar flow outlet and 1/2" NPSM male inlet. Certified to ASME A112.18.1/CSA B125.1, NSF 61-Section 9 and NSF 372.

Job Name _____

Model Specified _____ Quantity _____

Variations Specified _____

Date _____



Features & Benefits:

- Deck Mount 7" rigid surgical bend nozzle for remote locations
- 1.5 GPM VR laminar flow outlet
- 1/2" NPSM male inlet
- Material: Polished chrome plated brass flange and tubular spout

Product Compliance:

- ASME A112.18.1 / CSA B125.1
- NSF 61 - Section 9
- NSF 372 (Low Lead Content)

Warranty: One Year (Limited)

Performance Data:

- Pressure: 20 - 125 psi
- Temperature: 40 °F - 140 °F
- Flow Rate: 1.5 GPM @ 60 psi

