



Architect/Engineering Specifications:

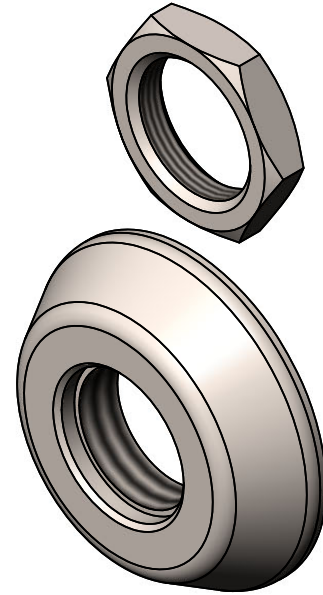
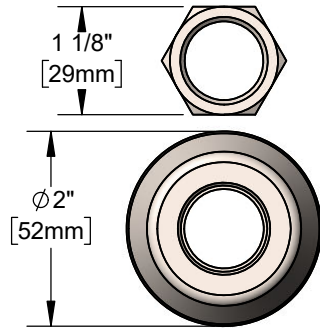
Stainless steel adjustable wall flange 7/8-18 UN threads and stainless steel hex nut with 7/8-18 UN threads.

Job Name \_\_\_\_\_

Model Specified \_\_\_\_\_ Quantity \_\_\_\_\_

Variations Specified \_\_\_\_\_

Date \_\_\_\_\_



Features & Benefits:

- Stainless steel adjustable wall flange with 7/8-18UN threads
- Stainless steel hex nut with 7/8-18 UN threads
- Material: Stainless steel

Product Compliance:

- N/A



Warranty: One Year (Limited)



Performance Data:

- N/A

