



#### Architect/Engineering Specifications:

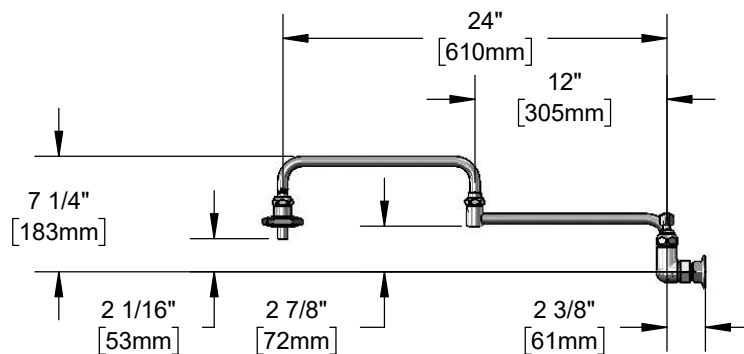
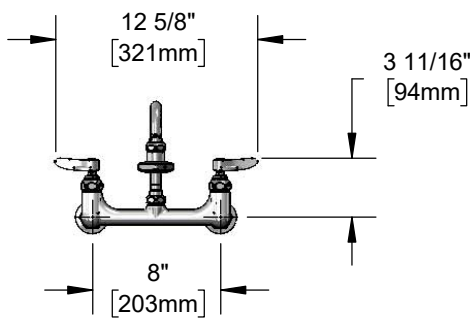
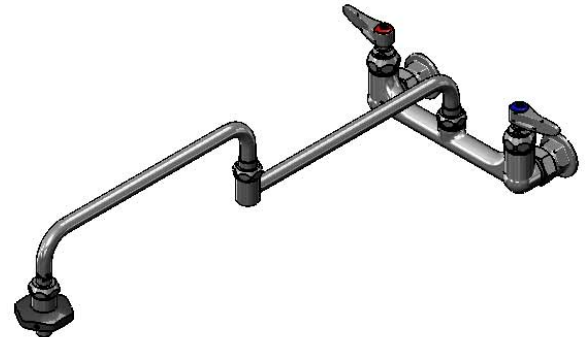
8" wall mount mixing faucet with polished chrome plated brass body, 24" double joint swing nozzle, on-off volume control outlet with insulated grip, compression cartridges with spring checks, lever handles and 1/2" NPT female inlets. Certified to ASME A112.18.1/CSA B125.1, NSF 61-Section 9 and NSF 372.

Job Name \_\_\_\_\_

Model Specified \_\_\_\_\_ Quantity \_\_\_\_\_

Variations Specified \_\_\_\_\_

Date \_\_\_\_\_



#### Features & Benefits:

- 8" wall mount mixing faucet w/ polished chrome plated brass body
- 24" double joint swing nozzle
- Lock washer provided for rigid application
- On-off volume control outlet with insulated grip
- Quarter-turn Eterna compression cartridges w/ spring checks to prevent cross flow of water
- Lever handles with color coded indexes
- 1/2" NPT female eccentric inlets with Ø 2" flanges
- Adjustable centers from 7 3/4" to 8 1/4"
- Material: Polished chrome plated brass body & tubular nozzle and heat resistant thermoplastic handle

#### Product Compliance:

- ASME A112.18.1 / CSA B125.1
- NSF 61 - Section 9
- NSF 372 (Low Lead Content)



**Warranty:** One Year (Limited)

#### Performance Data:

- Pressure: 20 - 125 psi
- Temperature: 40 °F - 140 °F
- Flow Rate: 13.20 GPM @ 60 psi

#### Optional Handles

- 4" Wrist Action
- Lever (Standard)
- 4-Arm

#### Optional Cartridges With Checks

- Quarter-Turn Cerama w/ Check Valve
- Quarter-Turn Eterna w/ Spring Check (Standard)

