



# T&S BRASS AND BRONZE WORKS, INC.

2 Saddleback Cove / P.O. Box 1088  
Travelers Rest, SC 29690



REG. #A2601  
ISO #9001

Model No.  
**EB-2322-QD**

Item No.

Travelers Rest, SC: 800-476-4103 Simi Valley, CA: 800-423-0150 Fax: 864-834-3518 www.tsbrass.com

This Space for Architect/Engineer Approval

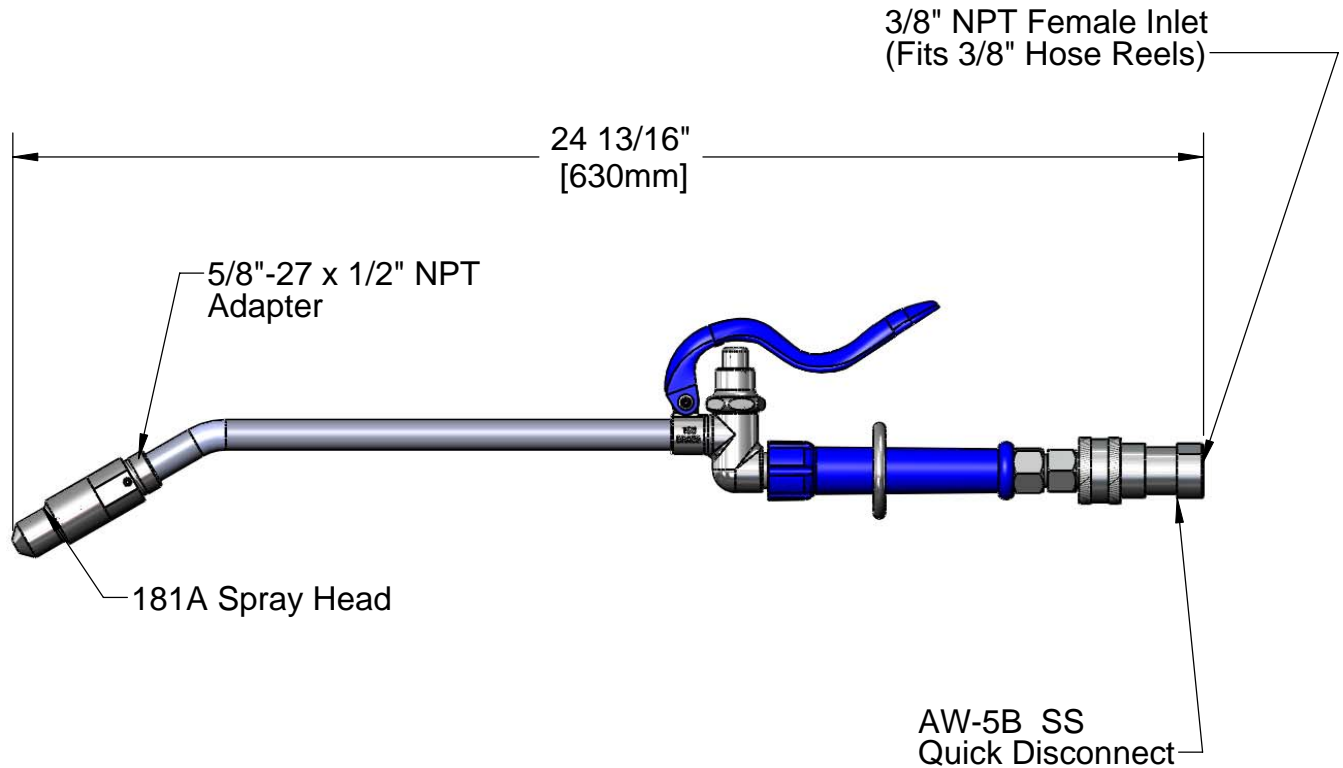
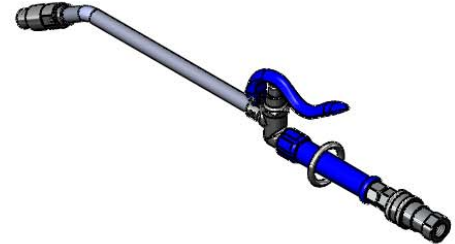
Job Name \_\_\_\_\_ Date \_\_\_\_\_

Model Specified \_\_\_\_\_ Quantity \_\_\_\_\_

Customer/Wholesaler \_\_\_\_\_

Contractor \_\_\_\_\_

Architect/Engineer \_\_\_\_\_



Product Specifications:

**Extension Spray Valve w/ Self-Closing  
Spray Valve, Extended Handle, Removable Spray Head  
& SS Quick Disconnect**

Drawn <b>JRM</b>	Checked <b>DMH</b>	Approved <b>JHB</b>
Scale: <b>1:4</b>		Date: <b>05/03/10</b>



# T&S BRASS AND BRONZE WORKS, INC.

2 Saddleback Cove / P.O. Box 1088  
Travelers Rest, SC 29690



REG. #A2601  
ISO #9001

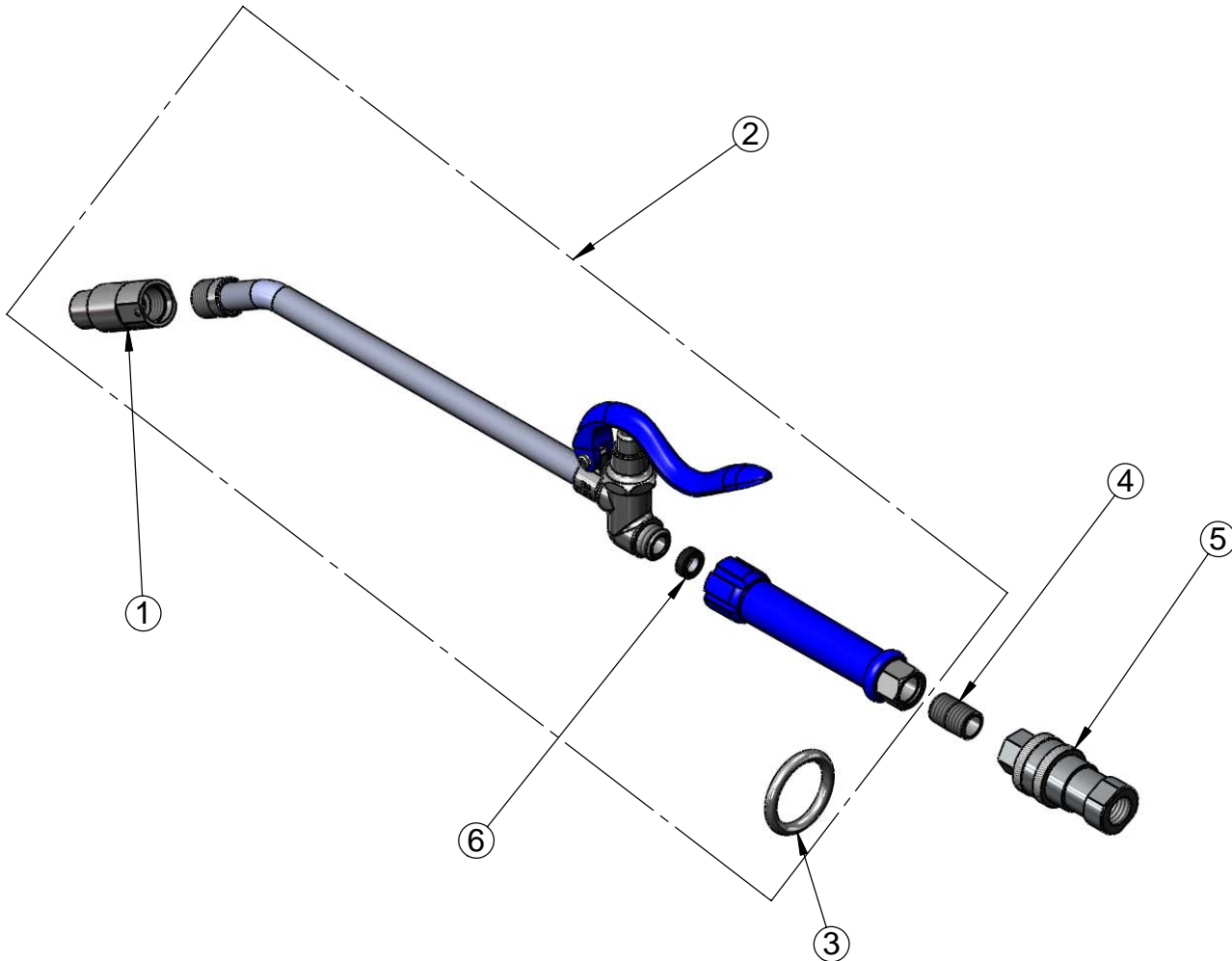
Model No.

**EB-2322-QD**

Item No.

Travelers Rest, SC: 800-476-4103 Simi Valley, CA: 800-423-0150 Fax: 864-834-3518 www.tsbrass.com

ITEM NO.	SALES NO.	DESCRIPTION
1	181A	Shower Head
2	EB-2322	Extended Wand Spray Valve
3	000907-45	Hold Down Ring Assembly
4	002535-25	3/8" NPT Close Nipple
5	AW-5B	3/8" NPT Socket/Plug QD SS
6	010476-45	#27 Washer



Product Specifications:

Extension Spray Valve w/ Self-Closing  
Spray Valve, Extended Handle, Removable Spray Head  
& SS Quick Disconnect

Drawn

JRM

Checked

DMH

Approved

JHB

Scale:

1:4

Date:

05/03/10