



T&S BRASS AND BRONZE WORKS, INC.

2 Saddleback Cove / P.O. Box 1088
Travelers Rest, SC 29690

Model No.

002713-40NS

Item No.

Travelers Rest, SC: 800-476-4103 • Simi Valley, CA: 800-423-0150 • Fax: 864-834-3518 • www.tsbrass.com



ADA Compliant

This Space for Architect/Engineer Approval

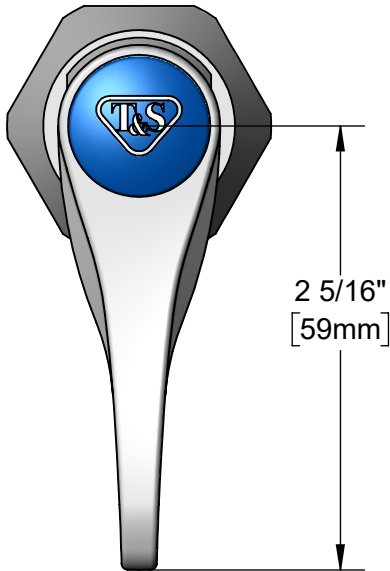
Job Name _____ Date _____

Model Specified _____ Quantity _____

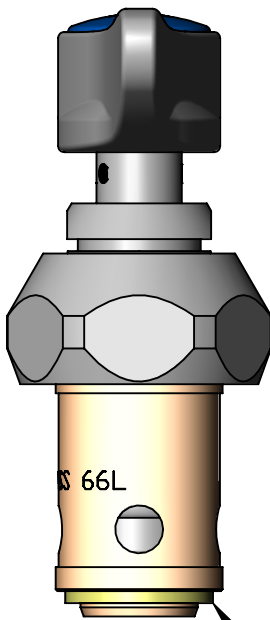
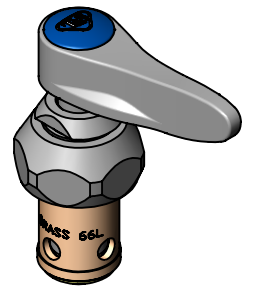
Customer/Wholesaler _____

Contractor _____

Architect/Engineer _____

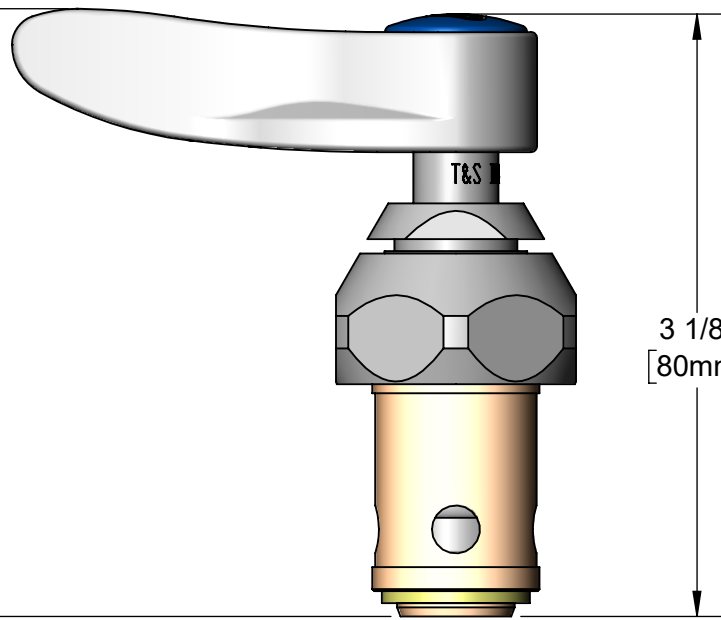


2 5/16"
[59mm]



Bottom Gasket

3 3/16"
[81mm]



3 1/8"
[80mm]

Product Specifications:

Eterna Cartridge, LTC w/ Lever Handle, Blue Index & Screw
(New Style Bonnet)

Product Compliance:

ASME A112.18.1 / CSA B125.1
NSF 61 - Section 9
NSF 372 (Low Lead Content)
ANSI A117.1 (ADA)



T&S BRASS AND BRONZE WORKS, INC.

2 Saddleback Cove / P.O. Box 1088
Travelers Rest, SC 29690

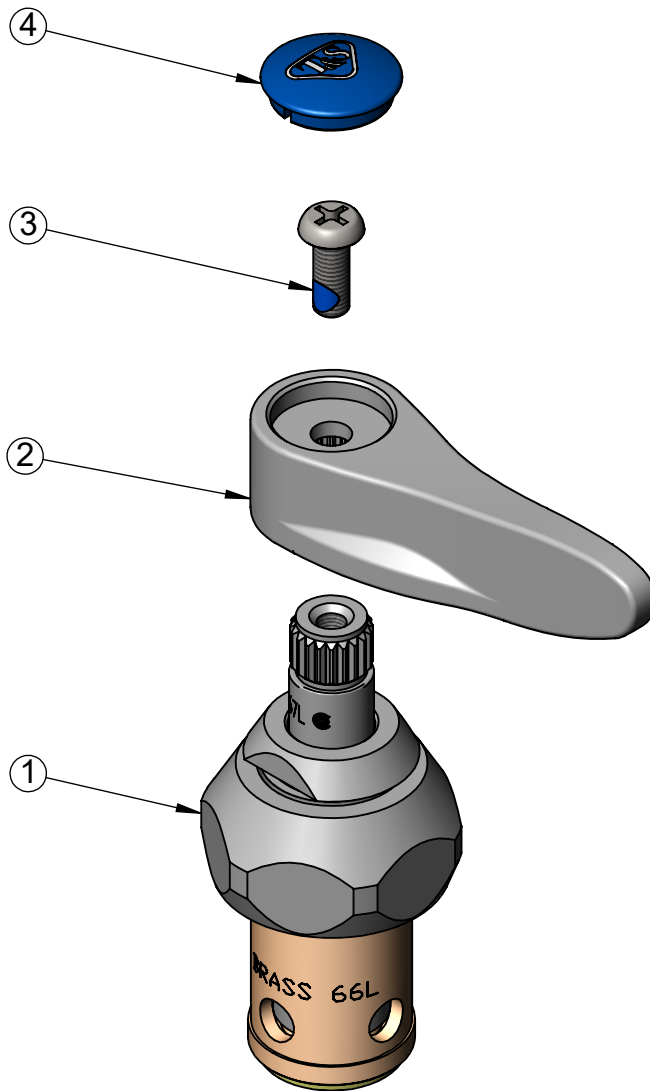
Model No.

002713-40NS

Item No.

Travelers Rest, SC: 800-476-4103 • Simi Valley, CA: 800-423-0150 • Fax: 864-834-3518 • www.tsbrass.com

ITEM NO.	SALES NO.	DESCRIPTION
1	005959-40NS	Eterna Cartridge, LTC
2	001638-45NS	Lever Handle (New Style)
3	000925-45	Lab Handle Screw
4	018506-19NS	Blue Button Index, Press-in



Product Specifications:
Eterna Cartridge, LTC w/ Lever Handle, Blue Index & Screw
(New Style Bonnet)

Product Compliance:
ASME A112.18.1 / CSA B125.1
NSF 61 - Section 9
NSF 372 (Low Lead Content)
ANSI A117.1 (ADA)