



T&S BRASS AND BRONZE WORKS, INC.
 2 Saddleback Cove / P.O. Box 1088
 Travelers Rest, SC 29690

Model No.
062X-CZ

Item No.

Travelers Rest, SC: 800-476-4103 • Simi Valley, CA: 800-423-0150 • Fax: 864-834-3518 • www.tsbrass.com

This Space for Architect/Engineer Approval

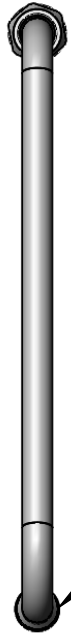
Job Name _____ Date _____

Model Specified _____ Quantity _____

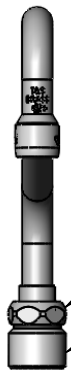
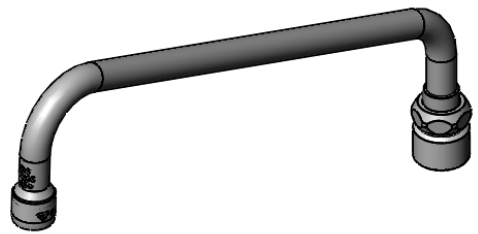
Customer/Wholesaler _____

Contractor _____

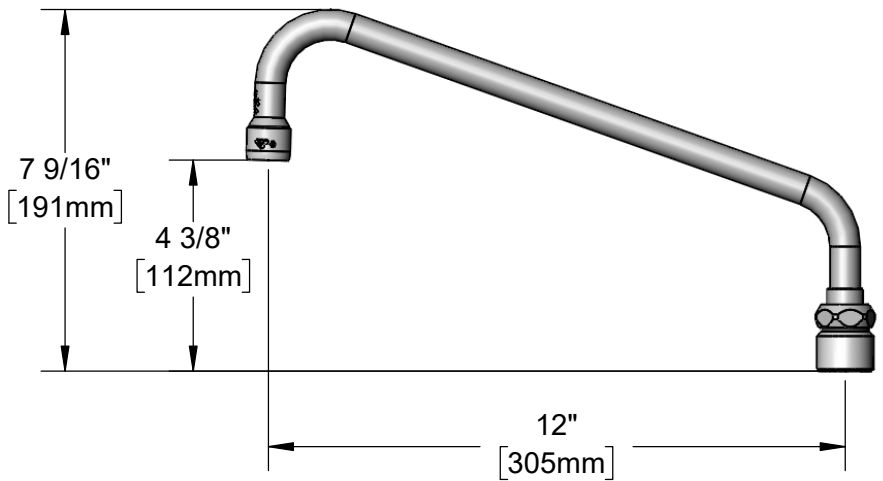
Architect/Engineer _____



Stream Regulator Outlet



Swivel Joint
 EZ-SWIVEL-CZ
 Adapts Chicago, Zurn
 & Qualis Faucets
 For T&S Brass Nozzles



Product Specifications:
 12" Swing Nozzle With Stream Regulator Outlet and Swivel Adapter for
 Chicago, Zurn & Qualis Faucets

Product Compliance:
 ASME A112.18.1 / CSA B125.1
 NSF 61 - Section 9
 NSF 372 (Low Lead Content)