



# Stainless Steel Retractable Hose Reels

## B-7143

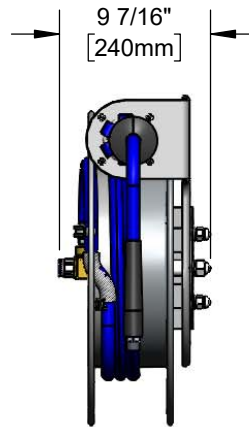
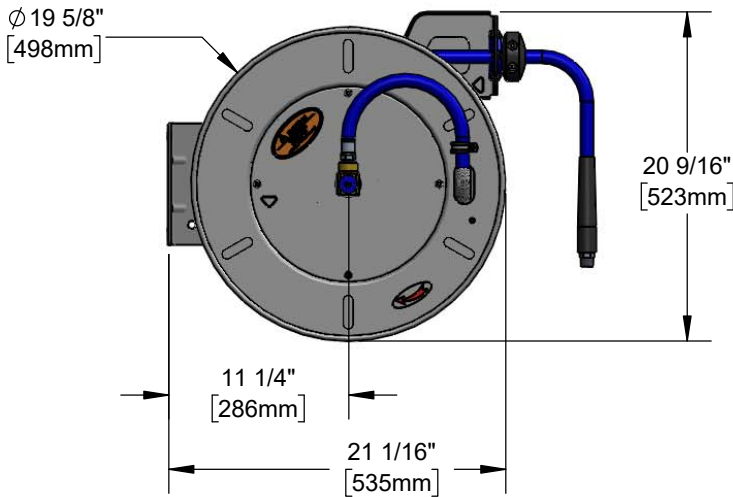
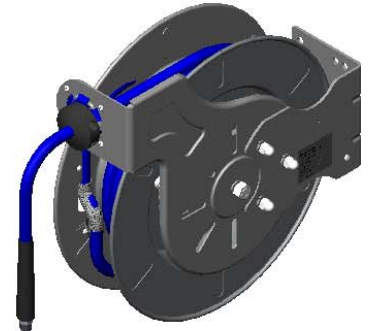
TAG:

### Open Stainless Steel Hose Reel

#### Architect/Engineering Specifications:

Open stainless steel hose reel, 1/2" NPT male outlet, 1/2" x 50' heavy-duty non-marking hose, ratcheting system, multi-fit bracket, adjustable hose bumper and 1/2" NPT female inlet.

Job Name \_\_\_\_\_  
 Model Specified \_\_\_\_\_ Quantity \_\_\_\_\_  
 Variations Specified \_\_\_\_\_  
 Date \_\_\_\_\_



#### Features & Benefits:

- Open stainless steel hose reel
- 1/2" NPT male outlet
- 1/2" x 50' heavy-duty non-marking hose rated to 300 PSI
- Ratcheting system holds the length of hose until a slight tug to retract automatically
- 1/2" NPT female inlet
- Adjustable hose bumper
- Multi-fit bracket for wall, ceiling or under counter mounting
- Optional 1/2" NPT stainless steel swivel between hose and spray gun available
- Material: Stainless steel open reel and wall bracket

#### Product Compliance:

- NSF 61 Exempt (Non-Potable)

#### Warranty: Two Year (Limited)

- Hose: One Year (Limited)

#### Performance Data:

- Air/Water Pressure: 300 psi Max
- Temperature: 40 °F - 200 °F
- Flow Rate: 7.89 GPM @ 60 psi

(Outlet Device &/or Final Configuration May Reduce Performance Ratings)

#### Optional Hose Reel Spray Valves

- MV-2516-24 Stainless Steel Rear Trigger Water Gun
- MV-2522-24 Stainless Steel Front Trigger Water Gun
- EB-0107 High Flow Spray Valve

#### Optional Hose Reel Multi-Fit Brackets

##### 1/4", 3/8", & 1/2" Stainless Steel Hose Reel

- G019430-45 EasyInstall Stainless Steel Wall Swing Bracket
- G016652-45 Deck Mount Pivot Bracket
- G018477-45 Stainless Steel Table Leg Swing Bracket



T&S BRASS AND BRONZE WORKS, INC.



• 2 Saddleback Cove • Travelers Rest, SC 29690  
 Ph 800-476-4103 • Fax 864-834-3518  
 • Simi Valley, CA • Ph 800-423-0150 • www.tsbrass.com

Date: 08/23/19