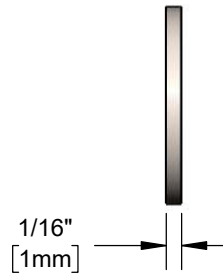
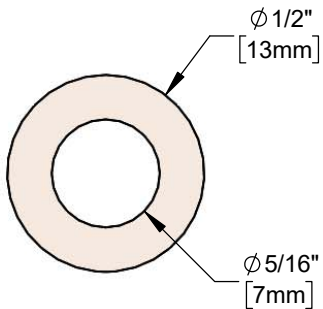
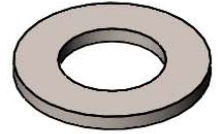




Architect/Engineering Specifications:

1/2" stainless steel washer for stainless steel T&S bonnet.

Job Name _____
 Model Specified _____ Quantity _____
 Variations Specified _____
 Date _____



Features & Benefits:

- Stainless steel washer for T&S stainless steel bonnet
- Material: Stainless steel

Product Compliance:

- N/A

Warranty: One Year (Limited)

Performance Data:

- N/A

