



Architect/Engineering Specifications:

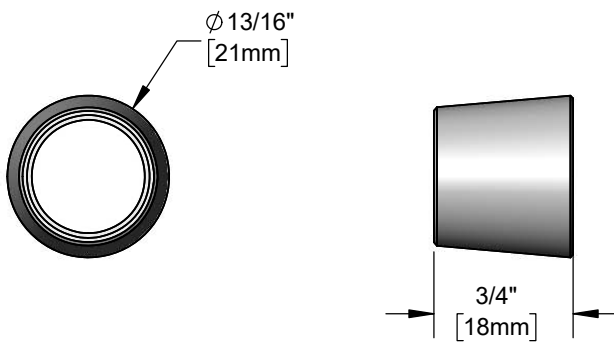
Polished chrome plated bell adapter with 5/8-27 UN and 3/8" NPSM female thread. Certified to NSF 61 - Section 9 and NSF 372.

Job Name _____

Model Specified _____ Quantity _____

Variations Specified _____

Date _____



Features & Benefits:

- Bell adapter
- 5/8-27 UN female thread
- 3/8" NPSM female thread
- Material: Polished chrome plated brass

Product Compliance:

- NSF 61 - Section 9
- NSF 372 (Low Lead Content)



Warranty: One Year (Limited)



Performance Data:

- N/A

