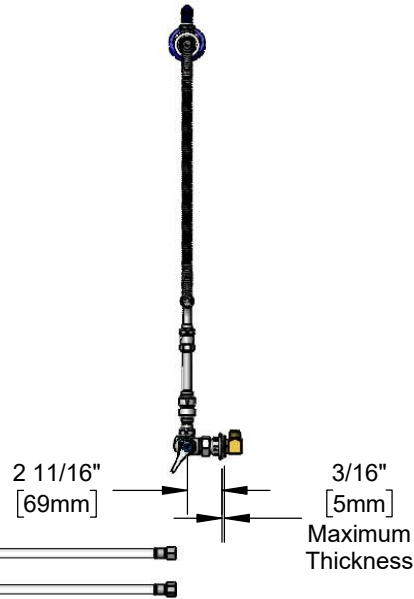
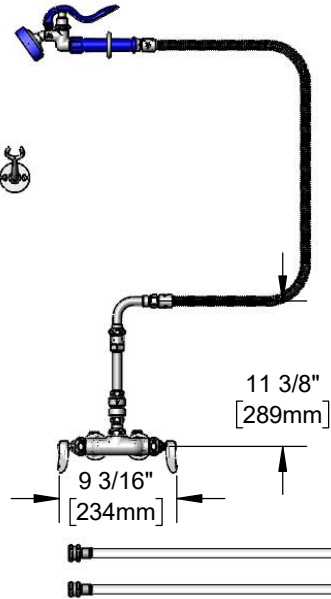




Architect/Engineering Specifications:

Wall mount mixing faucet with polished chrome plated brass body, 96" flexible stainless steel hose, high flow angled spray valve (blue), compression cartridges with spring checks, lever handles, vacuum breaker, hanger hook and 1/2" NPT male inlets. Certified to ASME A112.18.1/CSA B125.1, NSF 61 - Section 9, NSF 372 and CSA B64.8.

Job Name _____
 Model Specified _____ Quantity _____
 Variations Specified _____
 Date _____



Features & Benefits:

- Wall mount mixing faucet with polished chrome plated brass body
- 96" flexible stainless steel hose w/ heat resistant blue handle and hold down ring
- High flow angled spray valve
- Quarter-turn Eterna compression cartridges with spring checks to prevent cross flow of water
- Lever handles w/ color coded indexes
- 1/2" NPT male inlets
- (2) 60" PVC clear connector hose
- Material: Polished chrome plated brass body & vacuum breaker and chrome plated metal handles

Product Compliance:

- ASME A112.18.1 / CSA B125.1
- NSF 61 - Section 9
- NSF 372 (Low Lead Content)
- CSA B64.8 (VB)
- 2019 DOE PRSV Non-Compliant

Warranty: One Year (Limited)

Performance Data:

- Pressure: 20 - 125 psi
- Temperature: 40 °F - 140 °F
- Flow Rate: 4.10 GPM @ 60 psi



Optional Handles

- 4" Wrist Action
- Lever (Standard)
- 4-Arm

Optional Pre-Rinse Spray Valves

- B-0107 (1.15 GPM)
- B-0107-C (0.65 GPM)
- B-0107-J (1.07 GPM)
- B-0108 (1.07 GPM)
- B-0108-C (0.65 GPM)

Optional Cartridges With Checks

- Quarter-Turn Cerama w/ Check Valve
- Quarter-Turn Eterna w/ Spring Check (Standard)

