



**T&S BRASS AND BRONZE WORKS, INC.**  
 2 Saddleback Cove / P.O. Box 1088  
 Travelers Rest, SC 29690

Model No.  
**B-0346-LN**

Item No.

Travelers Rest, SC: 800-476-4103 • Simi Valley, CA: 800-423-0150 • Fax: 864-834-3518 • www.tsbrass.com



**ADA Compliant**

This Space for Architect/Engineer Approval

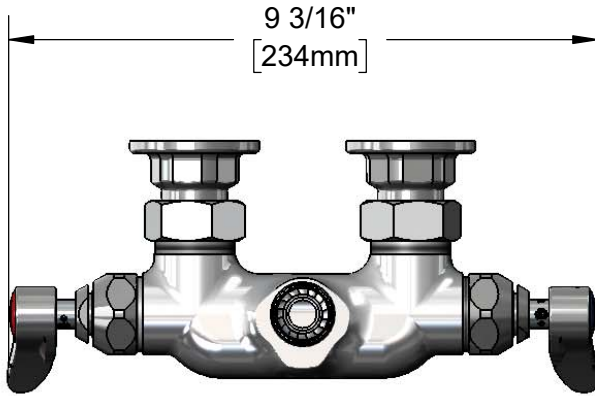
Job Name \_\_\_\_\_ Date \_\_\_\_\_

Model Specified \_\_\_\_\_ Quantity \_\_\_\_\_

Customer/Wholesaler \_\_\_\_\_

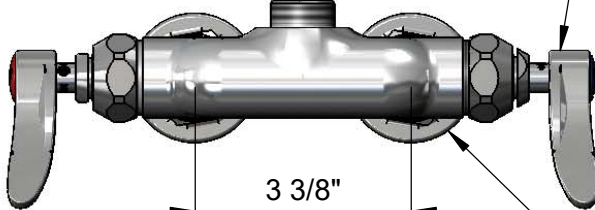
Contractor \_\_\_\_\_

Architect/Engineer \_\_\_\_\_



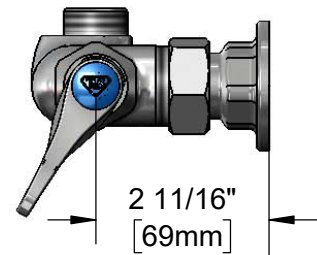
Swivel Outlet  
 Fits all Standard T&S  
 Swing Nozzles.  
 Converts to Rigid w/  
 014200-45 Lock Washer  
 (Included)

Quarter-Turn Eterna  
 Cartridges w/ Spring  
 Checks & Lever Handles  
 w/ Color Coded Indexes



3 3/8"  
 [86mm]  
 Adjustable from  
 3 1/8" to 3 5/8"  
 [95mm to 108mm]

Ø2" [51mm]  
 Flanges w/  
 1/2" NPT  
 Female Inlets



Mounting Surface

**Product Specifications:**

3 3/8" Wall Mount Mixing Faucet, Quarter-Turn Eterna Cartridges w/ Spring Checks, Lever Handles & 1/2" NPT Female Inlets, Less Nozzle

**Product Compliance:**

ASME A112.18.1 / CSA B125.1  
 NSF 61 - Section 9  
 NSF 372 (Low Lead Content)  
 ANSI A117.1 (ADA)



# T&S BRASS AND BRONZE WORKS, INC.

2 Saddleback Cove / P.O. Box 1088  
Travelers Rest, SC 29690

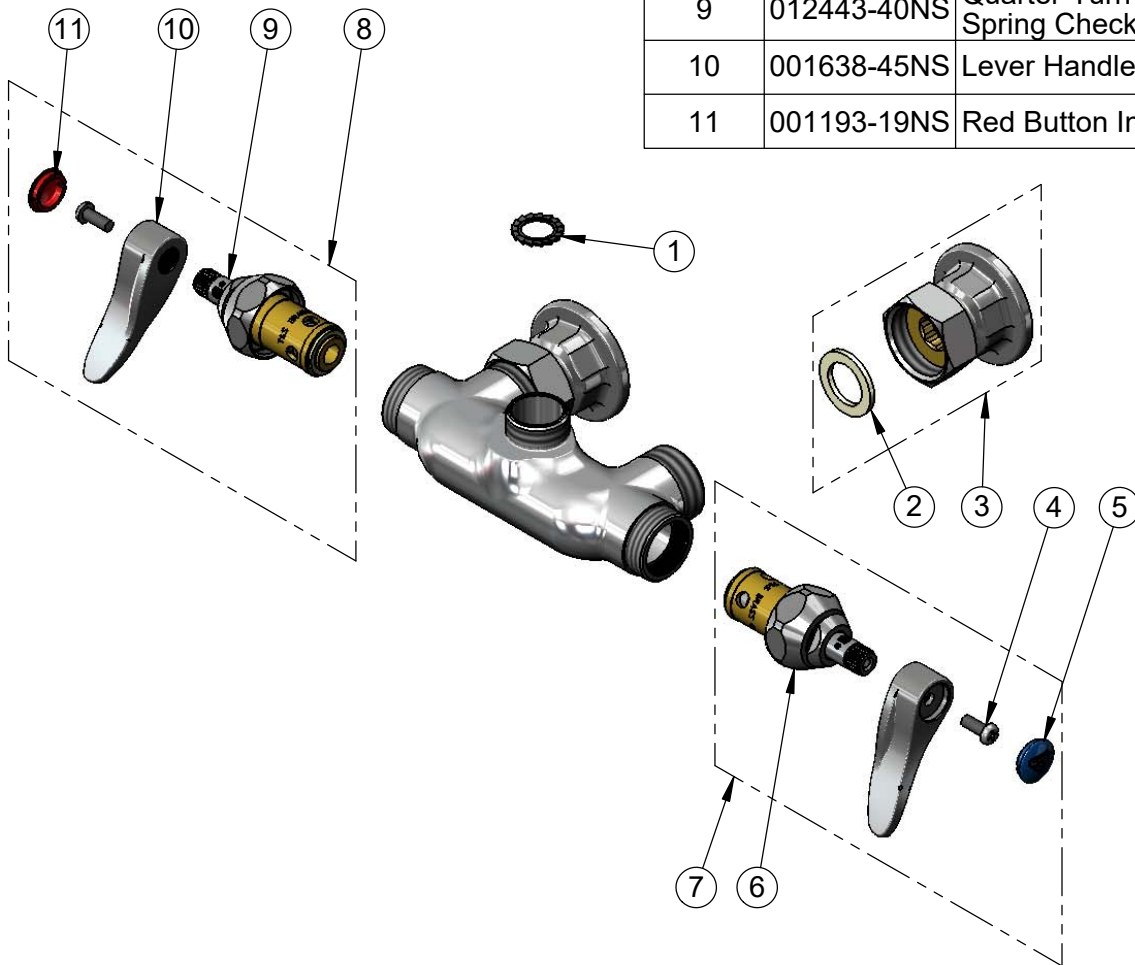
Model No.

**B-0346-LN**

Item No.

Travelers Rest, SC: 800-476-4103 • Simi Valley, CA: 800-423-0150 • Fax: 864-834-3518 • www.tsbrass.com

ITEM NO.	SALES NO.	DESCRIPTION
1	014200-45	Star Washer, Anti-Rotation
2	001019-45	Coupling Nut Washer
3	00AA	1/2" NPT Female Eccentric Flange
4	000925-45	Lab Handle Screw
5	018506-19NS	Blue Button Index, Press-in
6	012442-40NS	Quarter-Turn Eterna Cartridge w/ Spring Check, LTC
7	002711-40NS	Quarter-Turn Eterna Cartridge w/ Spring Check, Handle, Blue Index & Screw, LTC
8	002712-40NS	Quarter-Turn Eterna Cartridge w/ Spring Check, Handle, Red Index & Screw, RTC
9	012443-40NS	Quarter-Turn Eterna Cartridge w/ Spring Check, RTC
10	001638-45NS	Lever Handle (New Style)
11	001193-19NS	Red Button Index, Press-in



**Product Specifications:**

3 3/8" Wall Mount Mixing Faucet, Quarter-Turn Eterna Cartridges w/ Spring Checks, Lever Handles & 1/2" NPT Female Inlets, Less Nozzle

**Product Compliance:**

ASME A112.18.1 / CSA B125.1  
NSF 61 - Section 9  
NSF 372 (Low Lead Content)  
ANSI A117.1 (ADA)