



**T&S BRASS AND BRONZE WORKS, INC.**  
 2 Saddleback Cove / P.O. Box 1088  
 Travelers Rest, SC 29690

Model No.  
**130X**

Item No.

Travelers Rest, SC: 800-476-4103 • Simi Valley, CA: 800-423-0150 • Fax: 864-834-3518 • www.tsbrass.com

This Space for Architect/Engineer Approval

Job Name \_\_\_\_\_ Date \_\_\_\_\_

Model Specified \_\_\_\_\_ Quantity \_\_\_\_\_

Customer/Wholesaler \_\_\_\_\_

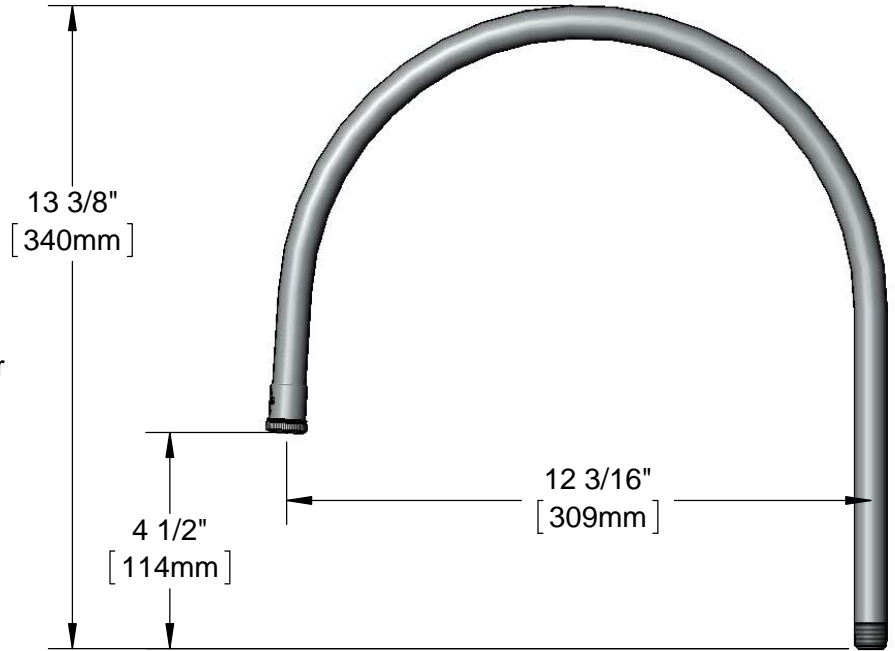
Contractor \_\_\_\_\_

Architect/Engineer \_\_\_\_\_



B-LT  
Stream Regulator  
Outlet

3/8" NPT  
Male Thread



Product Specifications:  
 Rigid Gooseneck w/ 12 3/16" Spread & Stream Regulator Outlet

Drawn  
**KJG**

Checked  
**DMH**

Approved  
**JHB**

Scale:  
**1:4**

Date:  
**10/04/13**