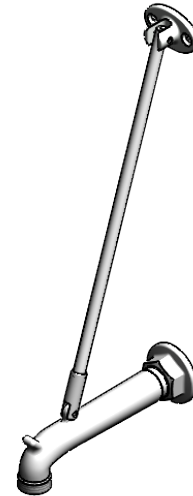
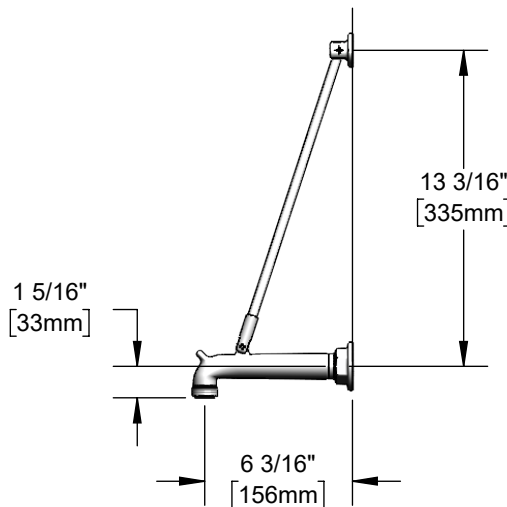
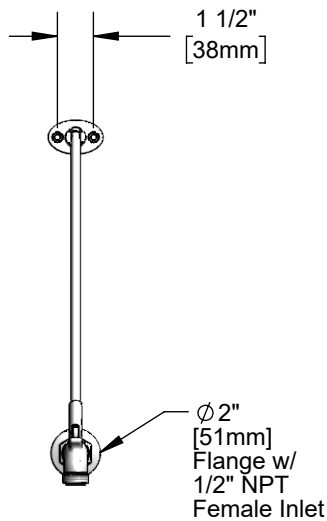




Architect/Engineering Specifications:

Wall mount outlet with rough chrome plated brass spout with pail hook and garden hose male outlet, upper support rod and 1/2" NPT female inlet. Certified to ASME A112.18.1/CSA B125.1, NSF 61-Section 9 and NSF 372.

Job Name _____
Model Specified _____ Quantity _____
Variations Specified _____
Date _____



Features & Benefits:

- Wall mount outlet w/ rough chrome plated brass spout
- 6 3/16" spout w/ garden hose outlet & pail hook
- Ø2" flange w/ 1/2" NPT female inlet
- Material: Rough chrome plated brass body, spout & flange

Product Compliance:

- ASME A112.18.1 / CSA B125.1
- NSF 61 - Section 9
- NSF 372 (Low Lead Content)

Warranty: One Year (Limited)

Performance Data:

- Pressure: 20 - 125 psi [1.38 - 8.62 bar]
- Temperature: 40°F - 140°F [4.44° C - 60° C]
- Flow Rate: 31.05 GPM [117.54 L/min] @ 60 psi [4.14 bar]

