



RELIABILITY BUILT IN™



Installation and Maintenance Instructions

EasyInstall™

DURA-PULL PRE-RINSE UNIT SERIES

All Units Include Wall-Bracket and Cerama Cartridges w/ Check Valves

Limited Seven Year Warranty (Commercial Applications)

T&S warrants to the original purchaser (other than for purposes of resale) that such product is free from defects in material and workmanship for a period of seven (7) years from the date of purchase. During this seven-year warranty period, if the product is found to be defective, T&S shall, at its option, repair and/or replace it. To obtain warranty service, products must be returned to.....

T&S Brass and Bronze Works, Inc.
Attn: Warranty Repair Department
2 Saddleback Cove
Travelers Rest, SC 29690

Shipping, freight, insurance, and other transportation charges of the product to T&S and the return of repaired or replaced product to the purchaser are the responsibility of the purchaser. Repair and/or replacement shall be made within a reasonable time after receipt by T&S of the returned product. This warranty does not cover items which have received secondary finishing or have been altered or modified after purchase, or for defects caused by physical abuse to or misuse of the product, or shipment of the products.

Any express warranty not provided herein, and any remedy for Breach of Contract which might arise, is hereby excluded and disclaimed. Any implied warranties of merchantability or fitness for a particular purpose are limited to seven years in duration. Under no circumstance shall T&S be liable for loss of use or any special consequential cost, expenses or damages.

Some states do not allow limitations on how long an implied warranty lasts or the exclusion or limitation of incidental or consequential damages, so the above limitations or exclusions may not apply to you. Specific rights under this warranty and other rights vary from state to state.



Attention California Residents:

WARNING This product can expose you to chemicals including Lead, Chromium (hexavalent compounds) and Phthalates (DEHP) which are known to the State of California to cause cancer and birth defects or other reproductive harm.

For more information go to www.P65Warnings.ca.gov.

P/N: 098-020065-45 Rev.1
DATE: 09-26-23
DRAWN: TED
CHECKED: JRM 01-12-24
APPROVED: JHB 02-01-24



Step 1:
Insert flex line inlets and tighten by hand. Apply plumber's putty to underside of body and insert into mounting hole. With wrench, tighten the locking nut.



Step 2:
Apply plumber's tape to top of riser threads and attach to spring assembly. Tighten with wrench.



Step 3:
Make sure that the EasyInstall® locking washer is seated properly inside the faucet body.



Step 4:
Grab riser assembly and lower the EasyInstall® end-fitting into faucet body. Press down until the end-fitting "pops" in.



Step 5:
Lock the EasyInstall® locking nut in place. Tighten with wrench.



Step 6:
Attach wall-bracket to wall. Cut pipe to size. Attach wall-bracket to riser and tighten.

B-0113 Series

Sprayer, Hose & Swivel Assembly

1	Asm, Hose, Sprayer & Swivel	021047-40
2	Asm, 1.07 GPM Sprayer with Swivel	019898-40
3	Stainless Steel Ball-Joint Swivel	021046-45
4	Adapter, 7/8-20 UN x 1/2" BSPP	005221-25
5	Washer, Hose Barrel	001014-45
6	Spray Face Repair Kit	108SF-RK
7	Hose, 30" SS Braided Hose w/ 1/2" NPSM Threads	019901-45

Pre-Rinse Unit Assembly

8	Air Cylinder Repair Kit	020062-45
9	Spring and Tube Repair Kit	020060-45
10	Valve Body Repair Kit	020063-45
11	Valve Repair Kit	020061-45
12	Hex Bushing, 1/2" NPT Male x 3/8" NPT Female	001359-40
13	Control Valve Seal Repair Kit	020064-45

Riser Assembly

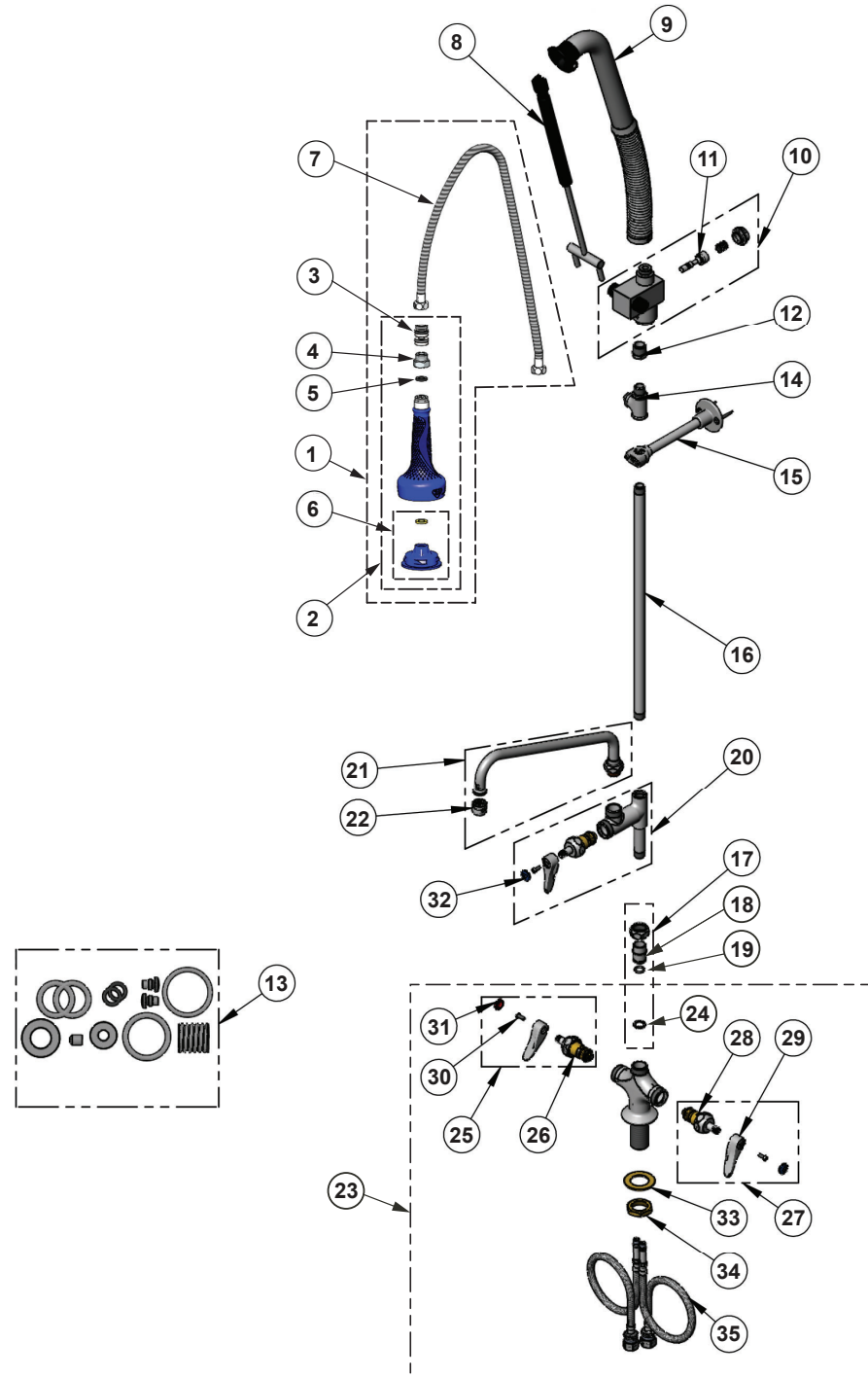
14	Tee, 3/8" NPT Rigid	B-TEE-RGD
15	Wall Bracket, 6"	B-0109-01
16	Nipple, 3/8" x 18"	000369-40
17	Swivel Assembly, EasyInstall	EZ-K
18	Swivel Piece	N/A
19	O-Ring, Swivel Piece	001065-45

Add-On Faucet Assembly

20	Add-On Faucet w/ Cerama Cartridge & Lever Handle (less nozzle)	B-0155-CR-LN
21	Swing Nozzle, 12"	062X
22	Stream Regulator, Full Flow, 55/67-27	B-PT

Single Hole Deck-Mount Base Faucet Assembly

23	Faucet Body Assembly w/ Cerama Cartridges	B-0200-CR-LN
24	Lock Washer, EasyInstall	014200-45
25	Asm, Quarter-Turn Cerama Cartridge, RTC (new style)	012446-25NS
26	Cartridge Only, Cerama w/ Check Valves, RTC	012394-25NS
27	Asm, Quarter-Turn Cerama Cartridge, LTC (new style)	012447-25NS
28	Cartridge Only, Cerama w/ Check Valves, LTC	012395-25NS
29	Handle, Lever	001638-45NS
30	Screw, Handle	000925-45
31	Index, Button - Hot (Red)	001193-19NS
32	Index, Button - Cold (Blue)	018506-19NS
33	Washer, Body	002290-45
34	Locknut, Shank	000965-45
35	Flexible Connector Hoses	012534-45



B-0123 Series

Sprayer, Hose & Swivel Assembly

1	Asm, Hose, Sprayer & Swivel	021047-40
2	Asm, 1.07 GPM Sprayer with Swivel	019898-40
3	Stainless Steel Ball-Joint Swivel	021046-45
4	Adapter, 7/8-20 UN x 1/2" BSPP	005221-25
5	Washer, Hose Barrel	001014-45
6	Spray Face Repair Kit	108SF-RK
7	Hose, 30" SS Braided Hose w/ 1/2" NPSM Threads	019901-45

Pre-Rinse Unit Assembly

8	Air Cylinder Repair Kit	020062-45
9	Spring and Tube Repair Kit	020060-45
10	Valve Body Repair Kit	020063-45
11	Valve Repair Kit	020061-45
12	Hex Bushing, 1/2" NPT Male x 3/8" NPT Female	001359-40
13	Control Valve Seal Repair Kit	020064-45

Riser Assembly

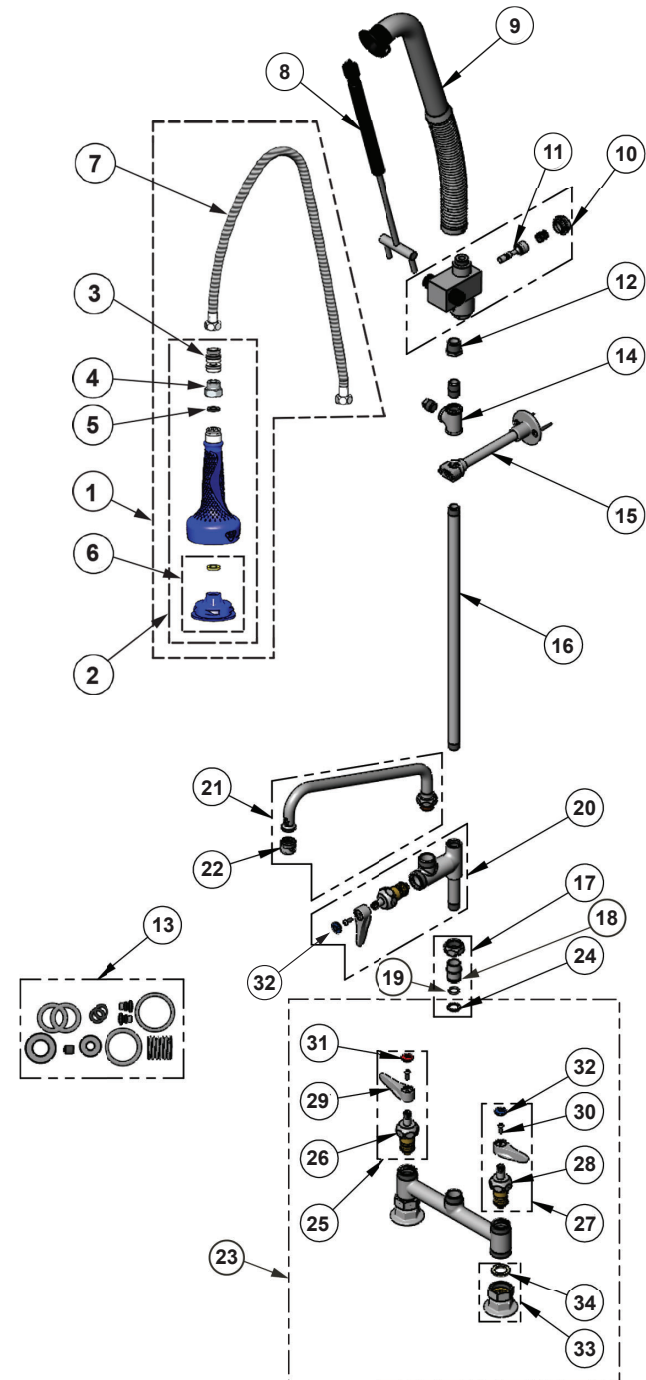
14	Tee, 3/8" NPT Rigid	B-TEE-RGD
15	Wall Bracket, 6"	B-0109-01
16	Nipple, 3/8" x 18"	000369-40
17	Swivel Assembly, EasyInstall	EZ-K
18	Swivel Piece	N/A
19	O-Ring, Swivel Piece	001065-45

Add-On Faucet Assembly

20	Add-On Faucet w/ Cerama Cartridge & Lever Handle (less nozzle)	B-0155-CR-LN
21	Swing Nozzle, 12"	062X
22	Stream Regulator, Full Flow, 55/67-27	B-PT

8" Deck-Mount Base Faucet Assembly

23	Faucet Body Assembly w/ Cerama Cartridges	B-0220-CR-LN
24	Lock Washer, EasyInstall	014200-45
25	Asm, Quarter-Turn Cerama Cartridge, RTC (new style)	012446-25NS
26	Cartridge Only, Cerama w/ Check Valves, RTC	012394-25NS
27	Asm, Quarter-Turn Cerama Cartridge, LTC (new style)	012447-25NS
28	Cartridge Only, Cerama w/ Check Valves, LTC	012395-25NS
29	Handle, Lever	001638-45NS
30	Screw, Handle	000925-45
31	Index, Button - Hot (Red)	001193-19NS
32	Index, Button - Cold (Blue)	018506-19NS
33	Flange, 1/2" NPT Female Eccentric	00AA
34	Washer, Coupling Nut	001019-45



B-0133 Series

Sprayer, Hose & Swivel Assembly

1	Asm, Hose, Sprayer & Swivel	021047-40
2	Asm, 1.07 GPM Sprayer with Swivel	019898-40
3	Stainless Steel Ball-Joint Swivel	021046-45
4	Adapter, 7/8-20 UN x 1/2" BSPP	005221-25
5	Washer, Hose Barrel	001014-45
6	Spray Face Repair Kit	108SF-RK
7	Hose, 30" SS Braided Hose w/ 1/2" NPSM Threads	019901-45

Pre-Rinse Unit Assembly

8	Air Cylinder Repair Kit	020062-45
9	Spring and Tube Repair Kit	020060-45
10	Valve Body Repair Kit	020063-45
11	Valve Repair Kit	020061-45
12	Hex Bushing, 1/2" NPT Male x 3/8" NPT Female	001359-40
13	Control Valve Seal Repair Kit	020064-45

Riser Assembly

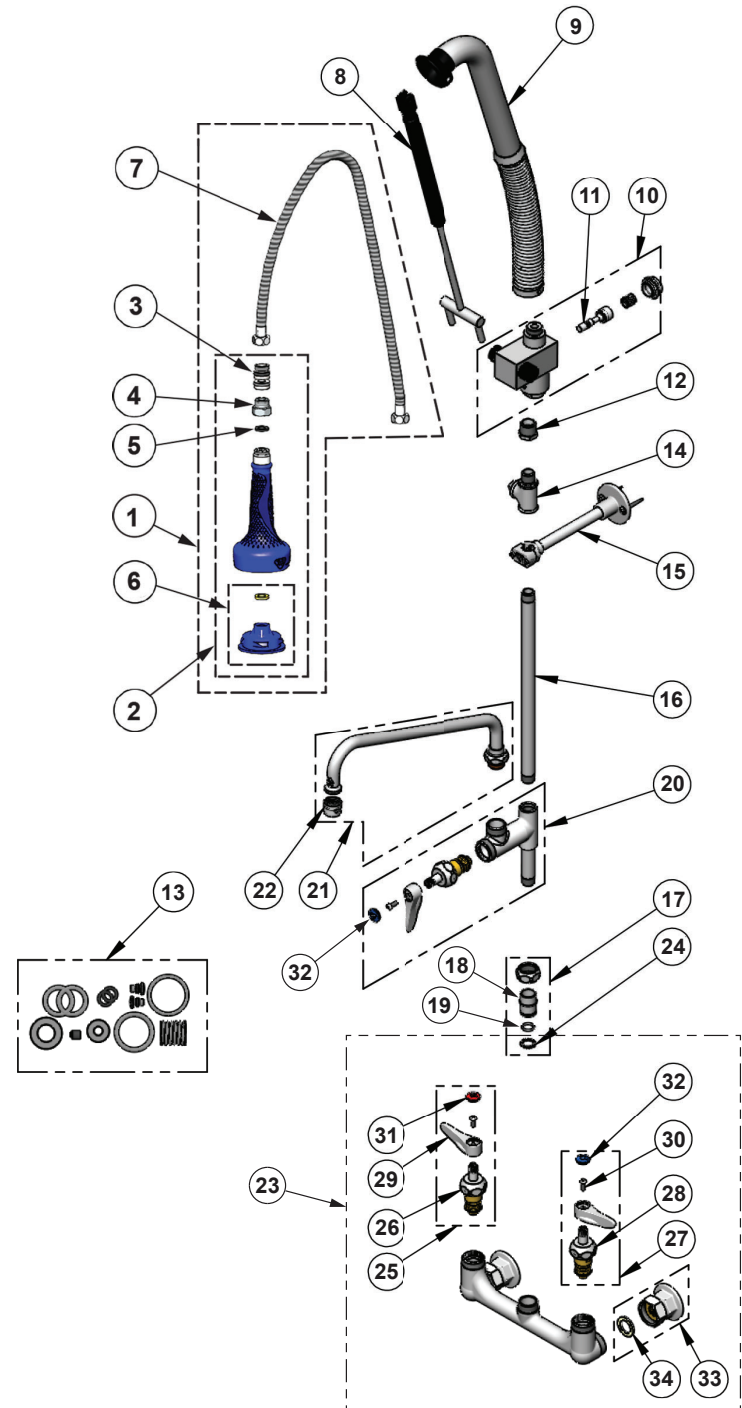
14	Tee, 3/8" NPT Rigid	B-TEE-RGD
15	Wall Bracket, 6"	B-0109-01
16	Nipple, 3/8" x 18"	000369-40
17	Swivel Assembly, EasyInstall	EZ-K
18	Swivel Piece	N/A
19	O-Ring, Swivel Piece	001065-45

Add-On Faucet Assembly

20	Add-On Faucet w/ Cerama Cartridge & Lever Handle (less nozzle)	B-0155-CR-LN
21	Swing Nozzle, 12"	062X
22	Stream Regulator, Full Flow, 55/67-27	B-PT

8" Wall-Mount Base Faucet Assembly

23	Faucet Body Assembly w/ Cerama Cartridges	B-0230-CR-LN
24	Lock Washer, EasyInstall	014200-45
25	Asm, Quarter-Turn Cerama Cartridge, RTC (new style)	012446-25NS
26	Cartridge Only, Cerama w/ Check Valves, RTC	012394-25NS
27	Asm, Quarter-Turn Cerama Cartridge, LTC (new style)	012447-25NS
28	Cartridge Only, Cerama w/ Check Valves, LTC	012395-25NS
29	Handle, Lever	001638-45NS
30	Screw, Handle	000925-45
31	Index, Button - Hot (Red)	001193-19NS
32	Index, Button - Cold (Blue)	018506-19NS
33	Flange, 1/2" NPT Female Eccentric	00AA
34	Washer, Coupling Nut	001019-45



B-5100 Series Deck-Mount

Sprayer, Hose & Swivel Assembly

1	Asm, Hose, Sprayer & Swivel	021047-40
2	Asm, 1.07 GPM Sprayer with Swivel	019898-40
3	Stainless Steel Ball-Joint Swivel	021046-45
4	Adapter, 7/8-20 UN x 1/2" BSPP	005221-25
5	Washer, Hose Barrel	001014-45
6	Spray Face Repair Kit	108SF-RK
7	Hose, 30" SS Braided Hose w/ 1/2" NPSM Threads	019901-45

Pre-Rinse Unit Assembly

8	Air Cylinder Repair Kit	020062-45
9	Spring and Tube Repair Kit	020060-45
10	Valve Body Repair Kit	020063-45
11	Valve Repair Kit	020061-45
12	Hex Bushing, 1/2" NPT Male x 3/8" NPT Female	001359-40
13	Control Valve Seal Repair Kit	020064-45

Riser Assembly

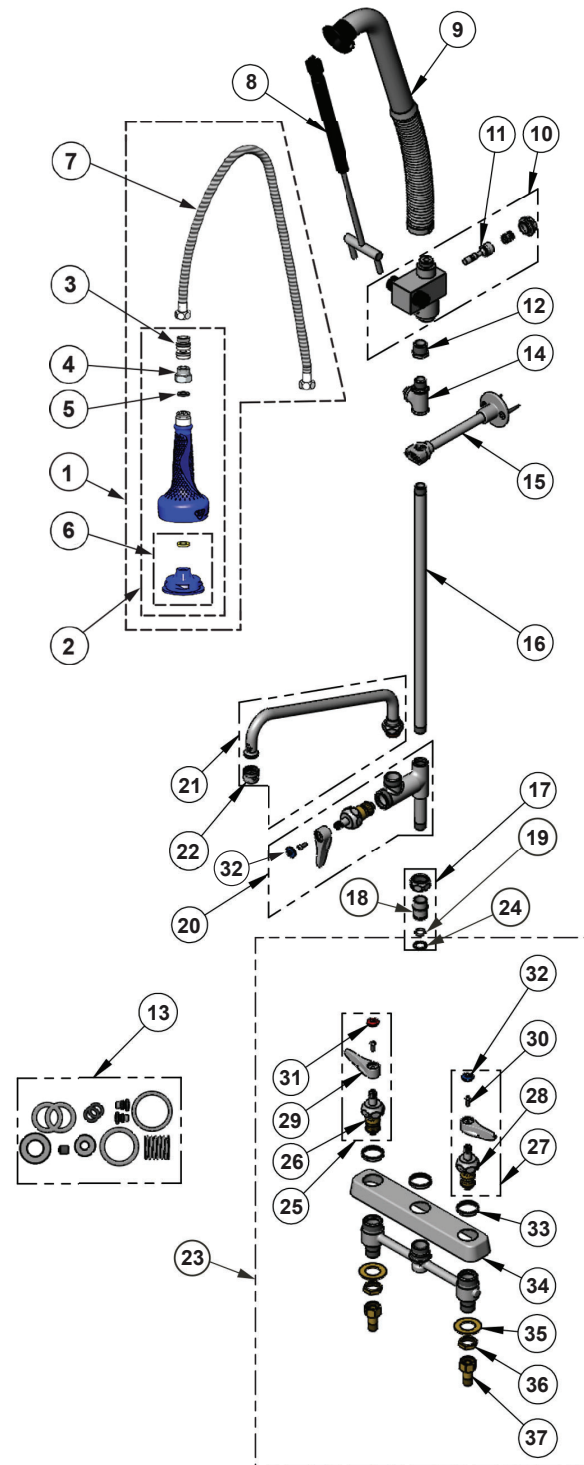
14	Tee, 3/8" NPT Rigid	B-TEE-RGD
15	Wall Bracket, 6"	B-0109-01
16	Nipple, 3/8" x 18"	000369-40
17	Swivel Assembly, EasyInstall	EZ-K
18	Swivel Piece	N/A
19	O-Ring, Swivel Piece	001065-45

Add-On Faucet Assembly

20	Add-On Faucet w/ Cerama Cartridge & Lever Handle (less nozzle)	B-0155-CR-LN
21	Swing Nozzle, 12"	062X
22	Stream Regulator, Full Flow, 55/67-27	B-PT

Deck-Mount Workboard Faucet Assembly

23	8" Faucet Body Assembly w/ Cerama Cartridges	B-5120-CR-LN
	4" Faucet Body Assembly w/ Cerama Cartridges	B-5110-CR-LN
24	Lock Washer, EasyInstall	014200-45
25	Asm, Quarter-Turn Cerama Cartridge, RTC (new style)	012446-25NS
26	Cartridge Only, Cerama w/ Check Valves, RTC	012394-25NS
27	Asm, Quarter-Turn Cerama Cartridge, LTC (new style)	012447-25NS
28	Cartridge Only, Cerama w/ Check Valves, LTC	012395-25NS
29	Handle, Lever	001638-45NS
30	Screw, Handle	000925-45
31	Index, Button - Hot (Red)	001193-19NS
32	Index, Button - Cold (Blue)	018506-19NS
33	Escutcheon, Lock Nut	019376-45
34	Escutcheon, 8" c/c Brass	019612-40
	Escutcheon, 4" c/c Brass	019611-40
35	Lock Washer, Brass	000999-45
36	Lock Nut, Shank	002954-45
37	1/4" NPT Nut & Tailpiece	150A



B-5125 Series Wall-Mount

Sprayer Assembly

1	Asm, Hose, Sprayer & Swivel	021047-40
2	Asm, 1.07 GPM Sprayer with Swivel	019898-40
3	Stainless Steel Ball-Joint Swivel	021046-45
4	Adapter, 7/8-20 UN x 1/2" BSPP	005221-25
5	Washer, Hose Barrel	001014-45
6	Spray Face Repair Kit	108SF-RK
7	Hose, 30" SS Braided Hose w/ 1/2" NPSM Threads	019901-45

Pre-Rinse Unit Assembly

8	Air Cylinder Repair Kit	020062-45
9	Spring and Tube Repair Kit	020060-45
10	Valve Body Repair Kit	020063-45
11	Valve Repair Kit	020061-45
12	Hex Bushing, 1/2" NPT Male x 3/8" NPT Female	001359-40
13	Control Valve Seal Repair Kit	020064-45

Riser Assembly

14	Tee, 3/8" NPT Rigid	B-TEE-RGD
15	Wall Bracket, 6"	B-0109-01
16	Nipple, 3/8" x 18"	000369-40
17	Swivel Assembly, EasyInstall	EZ-K
18	Swivel Piece	N/A
19	O-Ring, Swivel Piece	001065-45

Add-On Faucet Assembly

20	Add-On Faucet w/ Cerama Cartridge & Lever Handle (less nozzle)	B-0155-CR-LN
21	Swing Nozzle, 12"	062X
22	Stream Regulator, Full Flow, 55/67-27	B-PT

Wall-Mount Workboard Faucet Assembly

23	8" Faucet Body Assembly w/ Cerama Cartridges	B-5125-CR-LN
	4" Faucet Body Assembly w/ Cerama Cartridges	B-5115-CR-LN
24	Lock Washer, EasyInstall	014200-45
25	Asm, Quarter-Turn Cerama Cartridge, RTC (new style)	019641-25
26	Cartridge Only, Cerama w/ Check Valves, RTC	012394-25NS
27	Asm, Quarter-Turn Cerama Cartridge, LTC (new style)	019640-25
28	Cartridge Only, Cerama w/ Check Valves, LTC	012395-25NS
29	Handle, Lever	001638-45NS
30	Screw, Handle	000925-45
31	Index, Button - Hot (Red)	001193-19NS
32	Index, Button - Cold (Blue)	018506-19NS
33	Knob, B-1100	000082-40
34	Washer	001040-45
35	Escutcheon, Lock Nut	019376-45
36	Escutcheon, 8" c/c Brass	019612-40
	Escutcheon, 4" c/c Brass	019611-40
37	Lock Washer, Brass	000999-45
38	Lock Nut, Shank	002954-45
39	1/4" NPT Nut & Tailpiece	150A

