



Gas Hoses
HG-4E-24SK

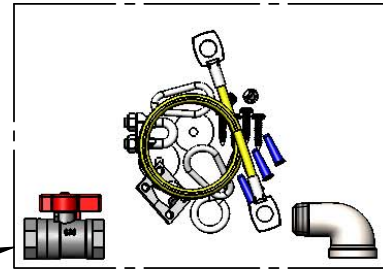
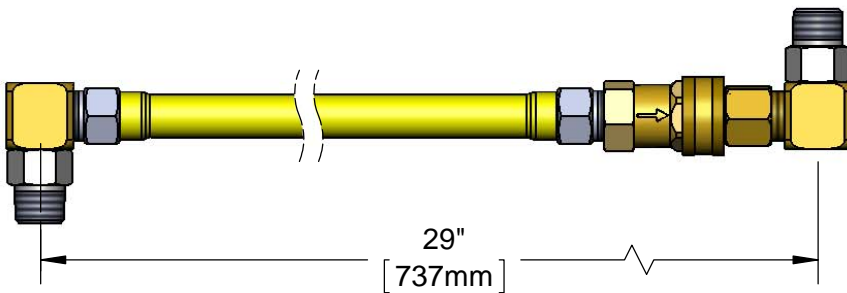
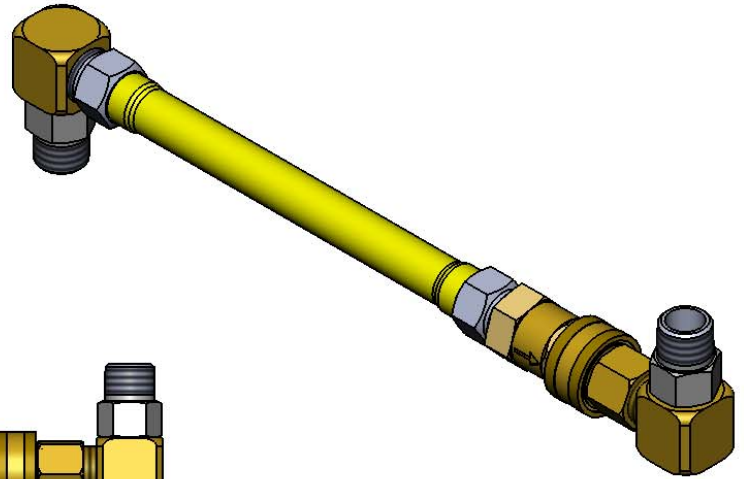
TAG:

SAFET-LINK Gas Hose

Architect/Engineering Specifications:

24" coated gas appliance connector hose with 1" NPT male connections, swivel fittings and installation kit. Certified to ANSI Z21.69/CSA 6.16, NSF 2.

Job Name _____
 Model Specified _____ Quantity _____
 Variations Specified _____
 Date _____



Installation Kit

90° Elbow

Features & Benefits:

- 24" coated gas appliance connector w/ freespin fittings
- (2) 1" NPT male SwiveLink fittings
- Installation kit
- 90° elbow included
- 360° rotatable hex nut rotates completely and freely
- Optimum torsional relief improves safety, increases connector life
- No lock-up during use with SwiveLink fittings
- Provides efficient, full gas flow
- Quick-disconnect socket acts as shut-off valve when the plug and socket are disconnected
- Material: Extruded coated stainless steel braids

Product Compliance:

- ANSI Z21.69 / CSA 6.16
- NSF 2
- NFPA 54

Warranty: Five Year (Limited)

Performance Data:

- Pressure: 1/2 psi max
- Temperature: 350° F max w/ Fusible Link Thermal Shut-off
- Capacity: 420,000 BTU / hr min



T&S BRASS AND BRONZE WORKS, INC.



• 2 Saddleback Cove • Travelers Rest, SC 29690
 Ph 800-476-4103 • Fax 864-834-3518
 • Simi Valley, CA • Ph 800-423-0150 • www.tsbrass.com

Date: 10/09/15