



# T&S BRASS AND BRONZE WORKS, INC.

2 Saddleback Cove / P.O. Box 1088  
Travelers Rest, SC 29690

Model No.

**B-7232-U01XS3XA**

Item No.

Travelers Rest, SC: 800-476-4103 • Simi Valley, CA: 800-423-0150 • Fax: 864-834-3518 • www.tsbrass.com

This Space for Architect/Engineer Approval

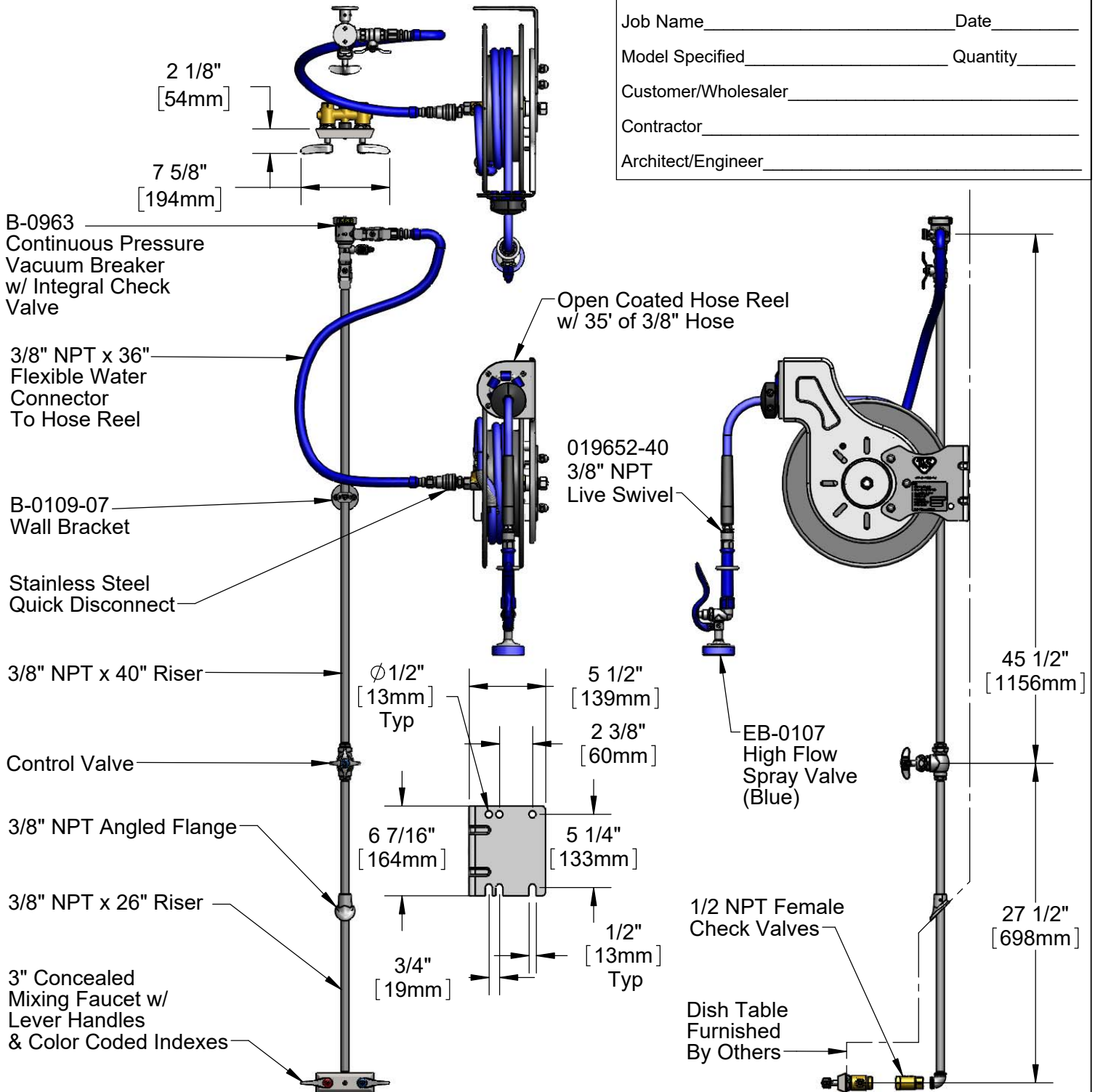
Job Name \_\_\_\_\_ Date \_\_\_\_\_

Model Specified \_\_\_\_\_ Quantity \_\_\_\_\_

Customer/Wholesaler \_\_\_\_\_

Contractor \_\_\_\_\_

Architect/Engineer \_\_\_\_\_



**Product Specifications:**

Open Coated Hose Reel w/ 35' of 3/8" Hose, High Flow Spray Valve (Blue) w/ Swivel, Vacuum Breaker, 3/8" NPT Flexible Water Connector, 3" Concealed Mixing Faucet & Control Valve

**Product Compliance:**

NSF 61 Exempt (Non-Potable)  
2019 DOE PRSV Non-Compliant  
ASSE 1056 (VB)

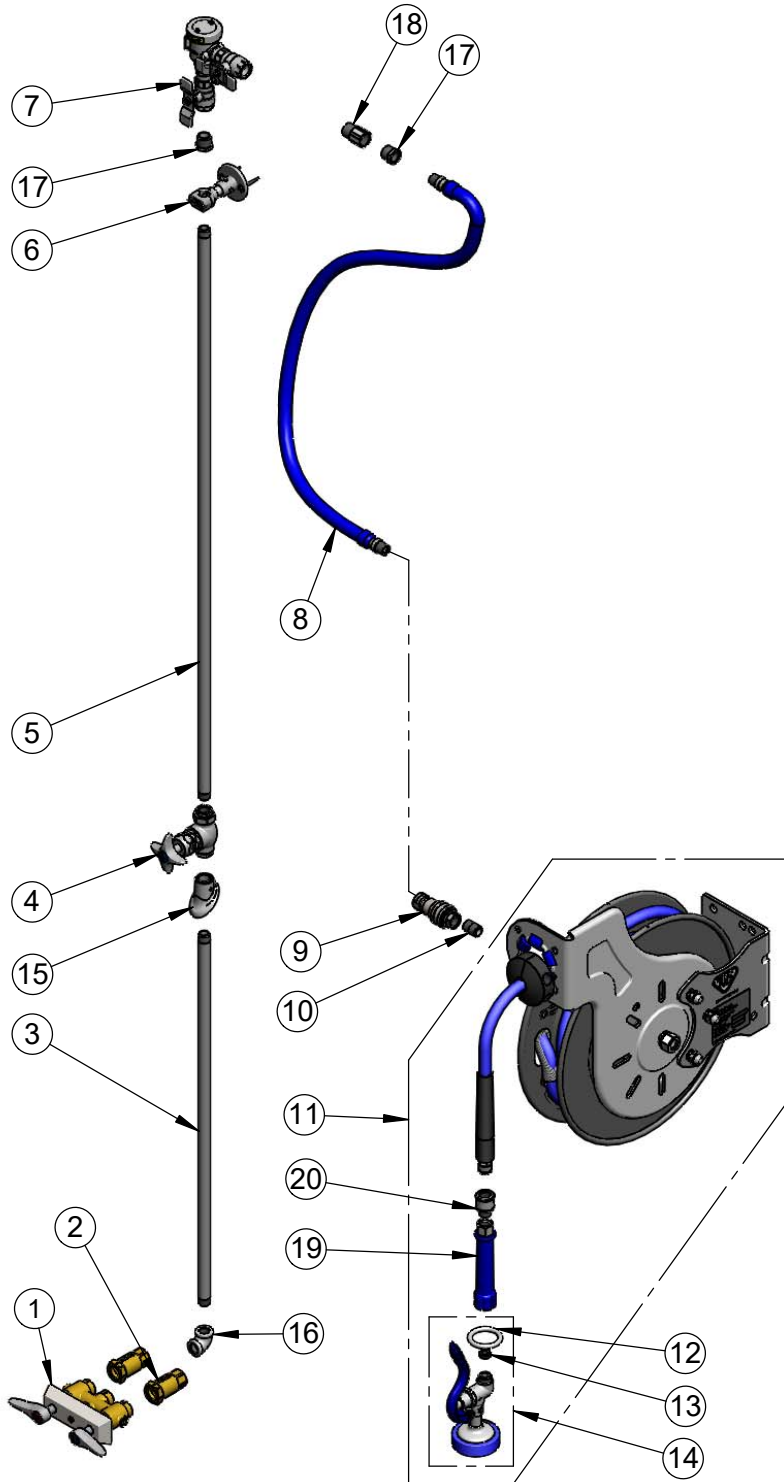


**T&S BRASS AND BRONZE WORKS, INC.**  
 2 Saddleback Cove / P.O. Box 1088  
 Travelers Rest, SC 29690

Model No.  
**B-7232-U01XS3XA**

Item No.

Travelers Rest, SC: 800-476-4103 • Simi Valley, CA: 800-423-0150 • Fax: 864-834-3518 • www.tsbrass.com



ITEM NO	SALES NO.	DESCRIPTION
1	B-0513	3" Concealed Mixing Faucet
2	B-CVH1-2	1/2" NPT Female Check Valve
3	000373-40	3/8" NPT x 26" Riser
4	0RK3	Control Valve
5	002558-40	3/8" NPT x 40" Riser
6	B-0109-07	Wall Bracket
7	B-0963	1/2" NPT Continuous Pressure VB w/ Integral Check Valve
8	HW-2B-36	3/8" NPT x 36" Flexible Water Hose
9	AW-5B	3/8" NPT Quick Disconnect
10	002535-25	3/8" Close Nipple
11	B-7232-01	Open Coated Reel w/ 35' of 3/8" Hose
12	000907-45	Spray Valve Hold Down Ring
13	010476-45	#27 Washer
14	EB-0107	High Flow Spray Valve (Blue)
15	B-0462	3/8" Angle Slip Flange
16	001355-40	Elbow, 3/8" NPT
17	001359-40	1/2" NPT Male x 3/8" NPT Female Hex Bushing
18	015073-40	Check Valve w/ 1/2" NPT Adapter
19	012504-40	Grip Handle (Blue), 3/8" NPT
20	019652-40	3/8" NPT Live Swivel

**Product Specifications:**

Open Coated Hose Reel w/ 35' of 3/8" Hose, High Flow Spray Valve (Blue) w/ Swivel, Vacuum Breaker, 3/8" NPT Flexible Water Connector, 3" Concealed Mixing Faucet & Control Valve

**Product Compliance:**

NSF 61 Exempt (Non-Potable)  
 2019 DOE PRSV Non-Compliant  
 ASSE 1056 (VB)