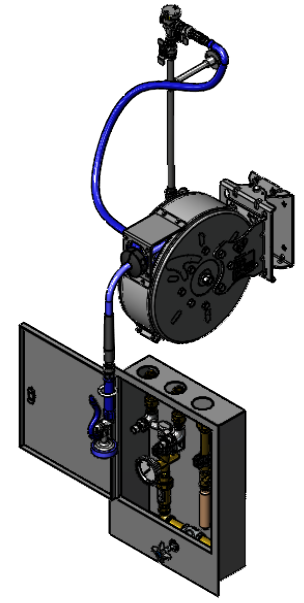
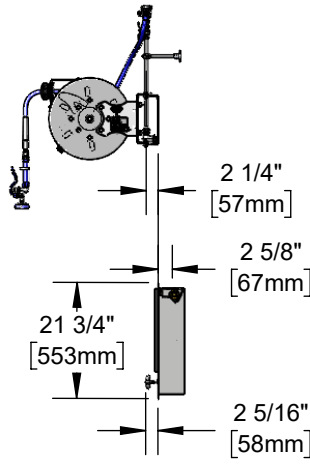
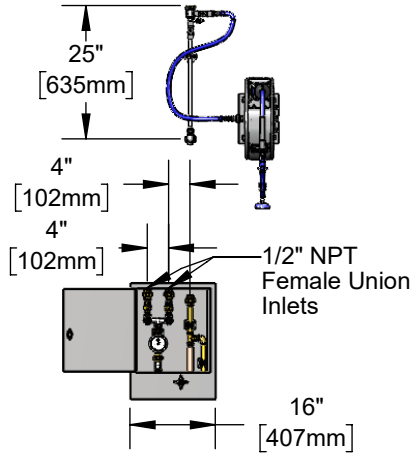




#### Architect/Engineering Specifications:

Hose reel control unit, stainless steel water control cabinet containing 1/2" union inlets and outlet, 1/2" check valves, loose key mixing valve with compression spindles, bi-metallic thermometer, dual check valve backflow preventer, shut-off valve and water hammer arrestor, hose reel connector kit with 1/2" NPT elbow, 18" riser and vacuum breaker, enclosed stainless steel hose reel with 3/8" x 30' heavy-duty non-marking hose, ratcheting system, high flow spray valve with swivel, multi-fit bracket and adjustable hose bumper. Certified to ASSE 1024, ASSE 1056 and ASSE 1010.

Job Name \_\_\_\_\_  
 Model Specified \_\_\_\_\_ Quantity \_\_\_\_\_  
 Variations Specified \_\_\_\_\_  
 Date \_\_\_\_\_



#### Features & Benefits:

- Flush mount stainless steel control cabinet with locking latch contains water control system
- 1/2" NPT female union inlets (2) and outlet
- 1/2" in-line check valve
- Loose key mixing valve with compression spindles, tee handles and screws
- Bi-metallic thermometer with  $\varnothing 3"$  dial face
- Dual check valve backflow preventer
- 1/2" NPT inlet swivel elbow and flange
- EasyInstall 18" riser
- 6" wall brackets
- Continuous pressure vacuum breaker
- 36" flexible water hose connector with stainless steel quick disconnect
- Enclosed stainless steel hose reel
- High flow spray valve w/ heat resistant blue handle, swivel and hold down ring
- 3/8" x 30' heavy-duty non-marking hose rated to 300 PSI
- Multi-fit bracket for wall, ceiling or under counter mounting
- EasyInstall universal stainless steel wall mount hose reel 100° swing bracket
- Material: Stainless steel cabinet, chrome plated brass elbow, risers, spray valve body, vacuum breaker, brass control unit components, chrome plated metal handle and stainless steel enclosed reel

#### Product Compliance:

- NSF 61 Exempt (Non-Potable)
- 2019 DOE PRSV Non-Compliant
- ASSE 1056 (VB)
- ASSE 1024 (VB)
- ASSE 1010 (Arrestor)



**Warranty:** Two Year (Limited)

#### Performance Data:

- Pressure: 20 - 125 psi [1.38 - 8.62 bar]
- Temperature: 40°F - 140°F [4.44°C - 60°C]
- Flow Rate: 4.28 GPM [16.20 L/min] @ 60 psi [4.14 bar]

#### Optional Hose Reel Spray Valves

- B-0107 Spray Valve
- B-0108 Ergonomic Medium Flow Spray Valve
- B-0108-H Ergonomic High Flow Spray Valve
- EB-0107 High Flow Spray Valve (Standard)
- EB-2322 Extended Spray Wand
- MV-2516-24 Stainless Steel Rear Trigger Water Gun
- MV-2522-24 Stainless Steel Front Trigger Water Gun
- MV-3516-24 Aluminum Rear Trigger Water Gun

