

T&S BRASS AND BRONZE WORKS, INC.

2 SADDLEBACK COVE / P.O. BOX 1088 / TRAVELERS REST, SC 29690

PHONE 800-476-4103

FAX 864- 834-3518



REG.#A2601
ISO #9002

Model No.

HG-4F-48-RC

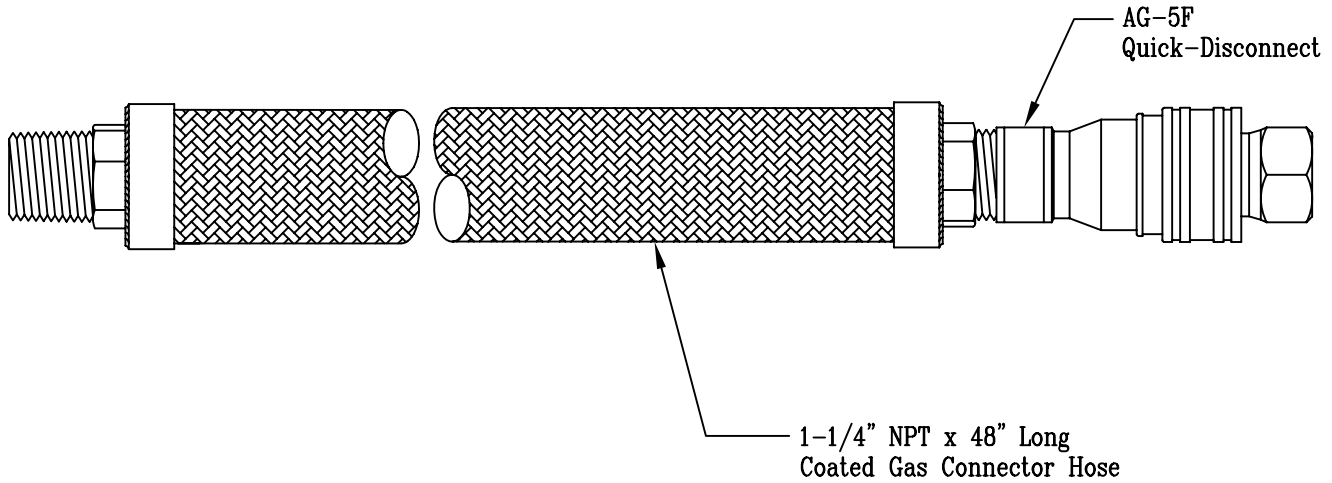
Item No.:

Job Name:

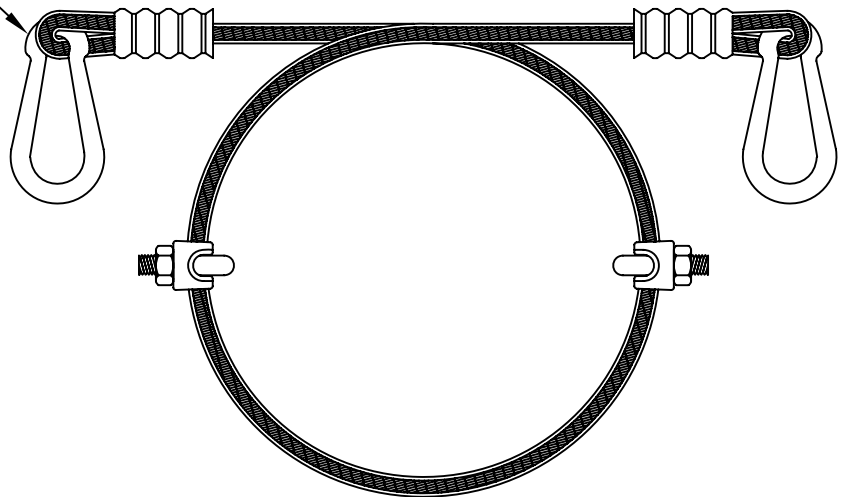
Architect/Engineer Approval:



AGA DESIGN CERTIFIED GAS APPLIANCE CONNECTORS



AG-RC
Restraining Cable Kit
Including all Necessary
Hardware



Product Description:
1-1/4" NPT x 48" Long Gas Hose w/ Quick-Disconnect,
Restraining Cable Kit

Drawn:

KJG

Checked

DHL

Scale:

NTS

Approved

JHB

Date:

01/18/10