



T&S BRASS AND BRONZE WORKS, INC.
 2 Saddleback Cove / P.O. Box 1088
 Travelers Rest, SC 29690

Model No.
HG-4E-48-RC

Item No.

Travelers Rest, SC: 800-476-4103 • Simi Valley, CA: 800-423-0150 • Fax: 864-834-3518 • www.tsbrass.com

This Space for Architect/Engineer Approval

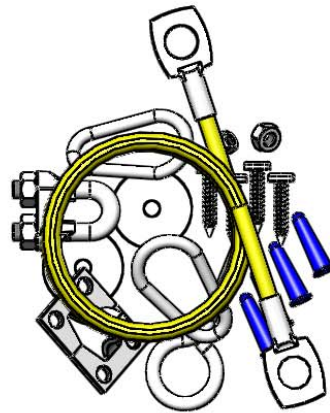
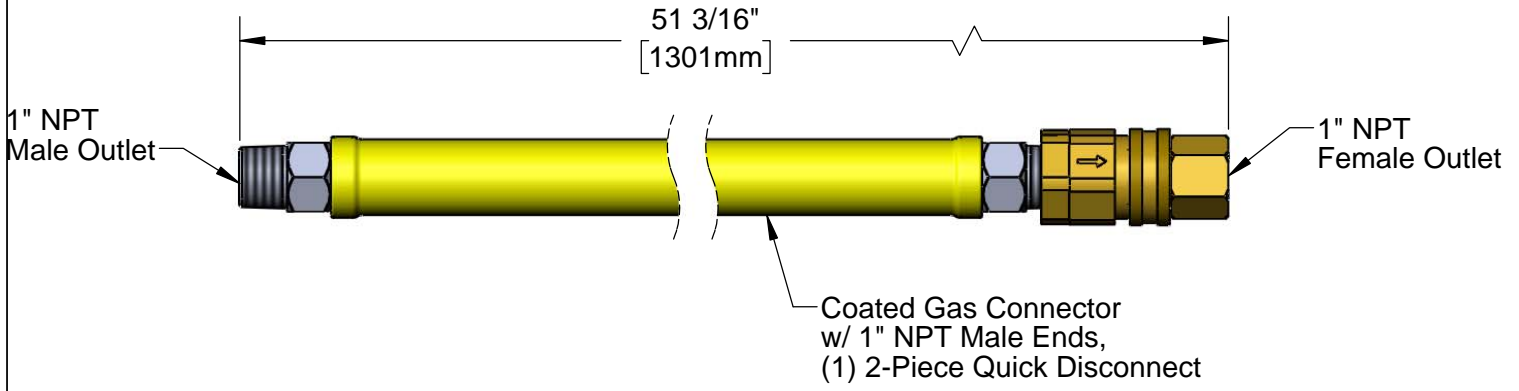
Job Name _____ Date _____

Model Specified _____ Quantity _____

Customer/Wholesaler _____

Contractor _____

Architect/Engineer _____



AG-RC
 5' Restraining Cable Kit
 (Included)

Product Specifications:
 Safe-T-Link Gas Appliance Connector:
 1" NPT x 48" Long Coated Gas Hose, 1" NPT Quick Disconnect Gas Coupling
 & 5' Restraining Cable Kit

Product Compliance:
 ANSI Z21.69 / CSA 6.16
 NSF 2
 NFPA 54