



# T&S BRASS AND BRONZE WORKS, INC.

2 Saddleback Cove / P.O. Box 1088  
Travelers Rest, SC 29690

Model No.

**B-0831-WS**

Item No.

Travelers Rest, SC: 800-476-4103 • Simi Valley, CA: 800-423-0150 • Fax: 864-834-3518 • www.tsbrass.com



**ADA Compliant**



This Space for Architect/Engineer Approval

Job Name \_\_\_\_\_ Date \_\_\_\_\_

Model Specified \_\_\_\_\_ Quantity \_\_\_\_\_

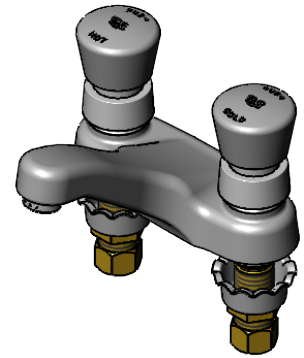
Customer/Wholesaler \_\_\_\_\_

Contractor \_\_\_\_\_

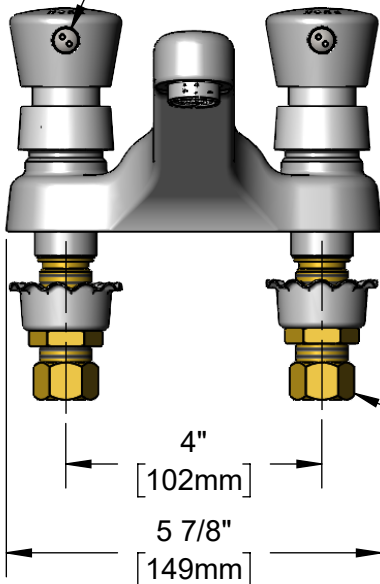
Architect/Engineer \_\_\_\_\_



Push Button Metering Cartridges  
w/ Hot & Cold Handles and  
Vandal Resistant Screws

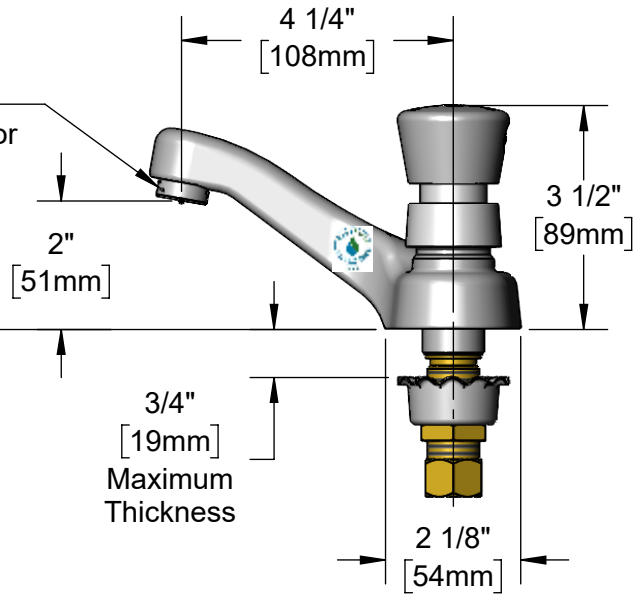


Vandal Resistant Screw.  
Loosen Screw (Do Not Remove)  
and Pull Off Push Button Asm to  
Access Metering Adjustment.  
(Metering Adjustment Requires  
3/32" Hex Key)



B-0199-03-WS  
1.5 GPM Aerator

Mounting  
Surface



**Rough-In Requirement**  
(2)  $\phi$  1 1/8" [29mm] Mounting Holes

**Product Specifications:**  
4" Centerset Deck Mount Faucet, Push Button Metering Cartridges,  
1.5 GPM Aerator & 1/2" NPSM Male Inlets w/ Couplings Nuts

**Product Compliance:**  
ASME A112.18.1 / CSA B125.1  
NSF 61 - Section 9  
NSF 372 (Low Lead Content)  
ANSI A117.1 (ADA)



# T&S BRASS AND BRONZE WORKS, INC.

2 Saddleback Cove / P.O. Box 1088  
Travelers Rest, SC 29690

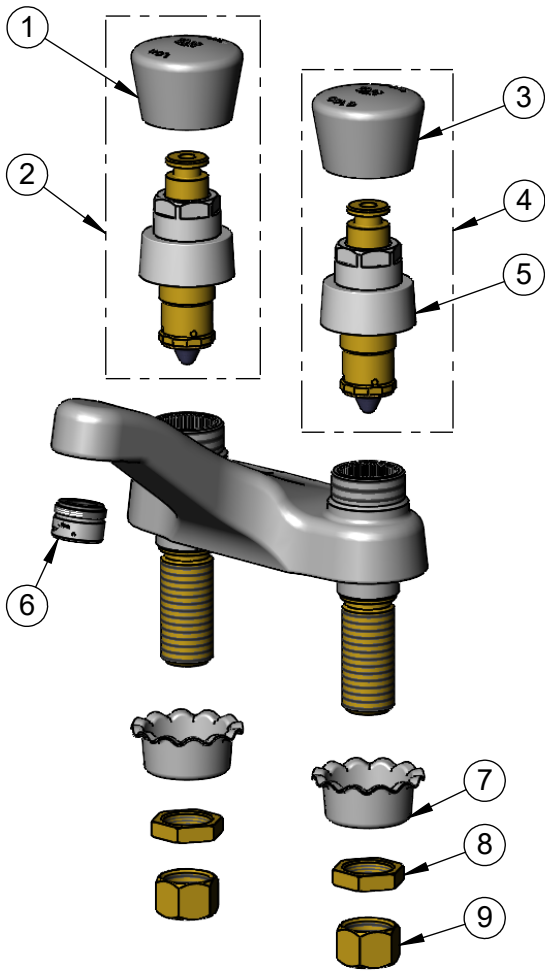
Model No.

**B-0831-WS**

Item No.

Travelers Rest, SC: 800-476-4103 • Simi Valley, CA: 800-423-0150 • Fax: 864-834-3518 • www.tsbrass.com

ITEM NO.	SALES NO.	DESCRIPTION
1	014194-40	Hot Push Button Cap w/ Spanner Bit
2	238AH	Metering Cartridge w/ Hot Push Button Cap & Spanner Bit
3	014195-40	Cold Push Button Cap w/ Spanner Bit
4	238AC	Metering Cartridge w/ Cold Push Button Cap & Spanner Bit
5	238A	Push Button Metering Cartridge
6	B-0199-03-WS	1.5 GPM Aerator, 13/16-27 Male
7	001000-45	Rosette Washer
8	002954-45	Shank Lock Nut
9	000958-20	Coupling Nut



014734-45  
Spanner Bit

**Product Specifications:**

4" Centerset Deck Mount Faucet, Push Button Metering Cartridges,  
1.5 GPM Aerator & 1/2" NPSM Male Inlets w/ Couplings Nuts

**Product Compliance:**

ASME A112.18.1 / CSA B125.1  
NSF 61 - Section 9  
NSF 372 (Low Lead Content)  
ANSI A117.1 (ADA)