



T&S BRASS AND BRONZE WORKS, INC.
 2 SADDLEBACK COVE / P.O. BOX 1088 / TRAVELERS REST, SC 29690
 PHONE 800-476-4103 FAX 864-834-3518



Model No.

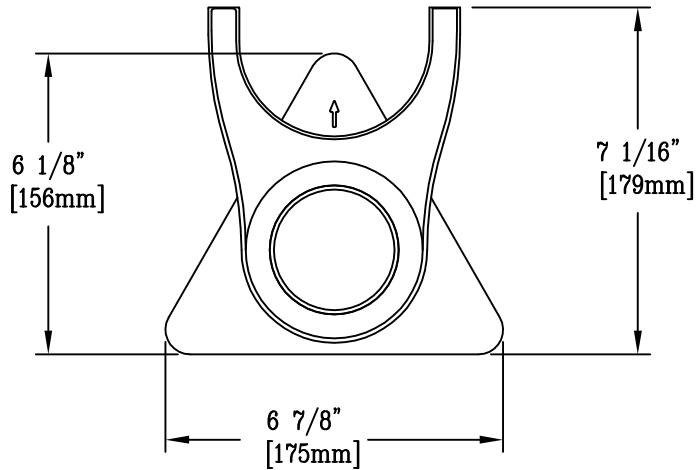
B-0477

Item No.:

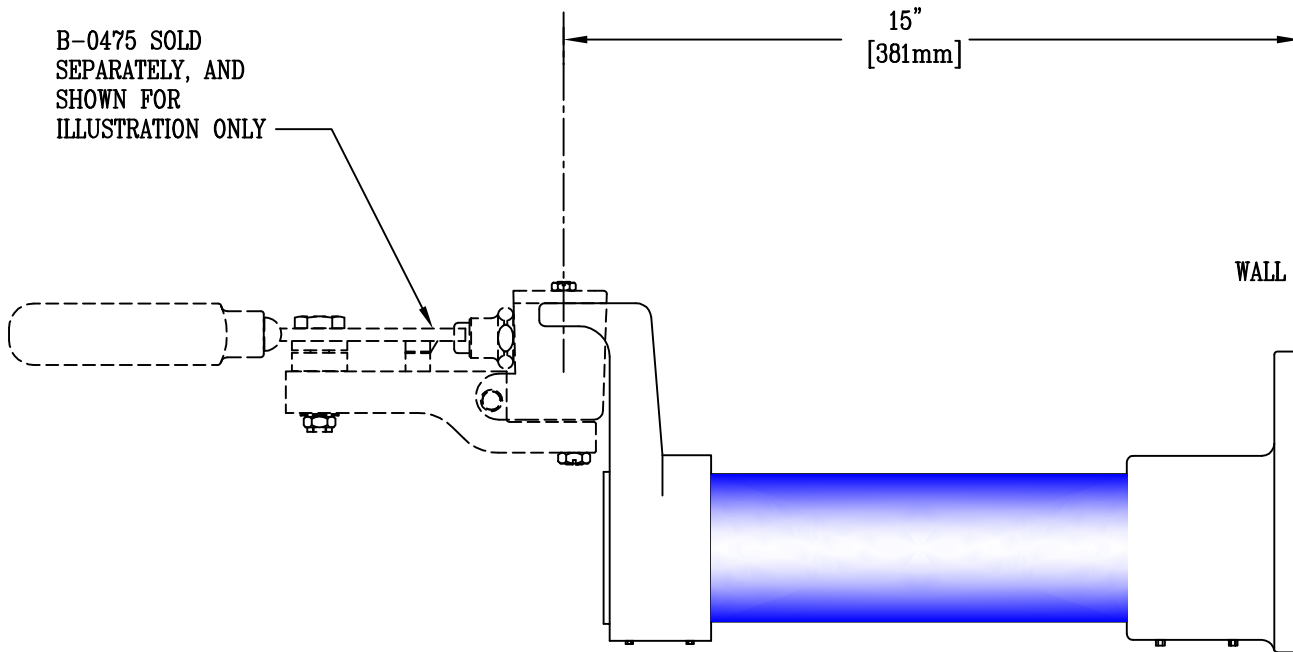
Job Name:

Architect/Engineer Approval:

Notes:



B-0475 SOLD SEPARATELY, AND SHOWN FOR ILLUSTRATION ONLY



Product Description:

WALL SUPPORT FOR KNEE ACTION VALVE, 15" LENGTH

Drawn:

WJS

Checked

JRM

Scale:

1 : 4

Approved

JHB

Date:

10/13/06