



T&S BRASS AND BRONZE WORKS, INC.

2 Saddleback Cove / P.O. Box 1088
Travelers Rest, SC 29690

Model No.

BL-6005-01

Item No.

Travelers Rest, SC: 800-476-4103 • Simi Valley, CA: 800-423-0150 • Fax: 864-834-3518 • www.tsbrass.com

This Space for Architect/Engineer Approval

Job Name _____ Date _____

Model Specified _____ Quantity _____

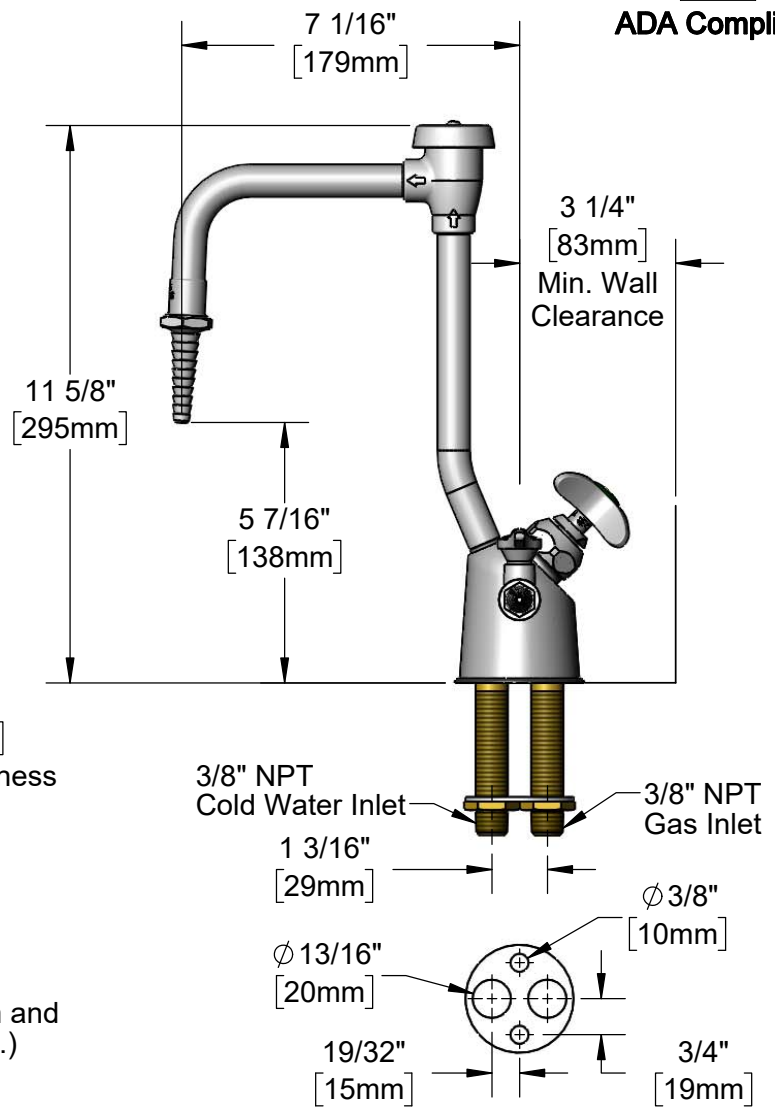
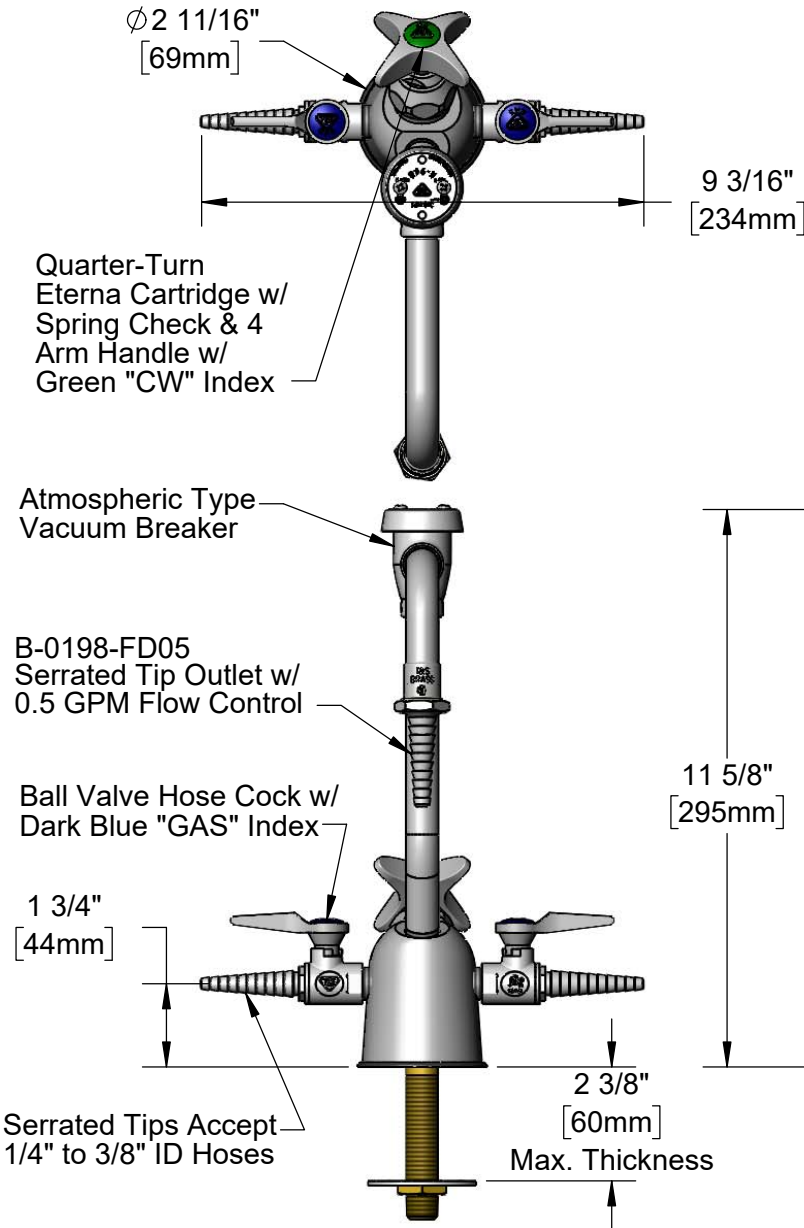
Customer/Wholesaler _____

Contractor _____

Architect/Engineer _____



ADA Compliant



Mounting Washer / Rough-In Detail

NOTES:

- Natural Gas Pressure: 0.5 PSIG Max.
(For Natural Gas above 0.5 PSIG or Oxygen and Specialty Gases, use BL-4010-01 Gas Cock.)
- Certified to ANSI Z21.15a / CSA 9.1a

Product Specifications:

Combination Gas & Water Fixture w/ (2) Ball Valve Gas Cocks, Quarter-Turn Eterna Cartridge with Spring Check and 4-Arm Handle, Vacuum Breaker, Rigid Nozzle w/ Serrated Tip & 0.5 GPM Flow Control & 3/8" NPT Male Inlets

Product Compliance:

ASME A112.18.1 / CSA B125.1
NSF 61 - Section 9
NSF 372 (Low Lead Content)
ASSE 1001 (VB)
ANSI Z21.15a / CSA 9.1a (Gas Valves)
ANSI A117.1 (ADA)



T&S BRASS AND BRONZE WORKS, INC.

2 Saddleback Cove / P.O. Box 1088
Travelers Rest, SC 29690

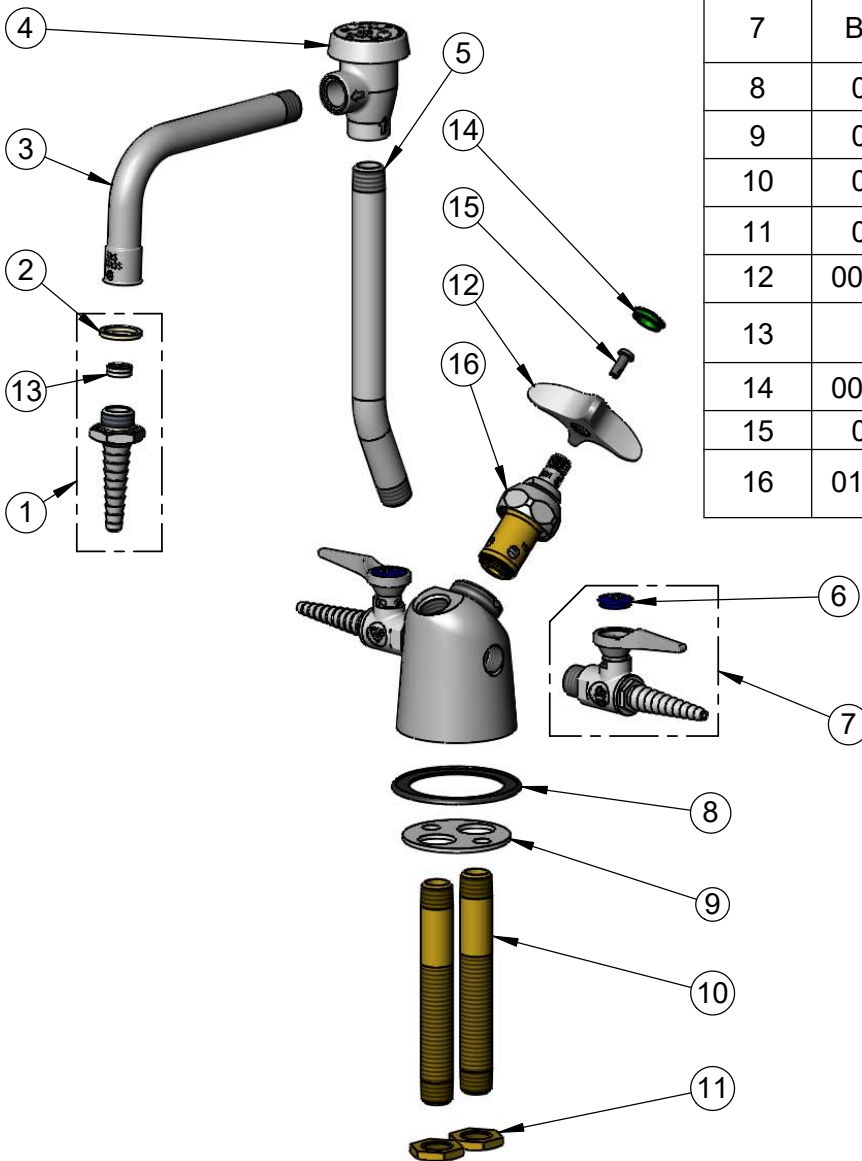
Model No.

BL-6005-01

Item No.

Travelers Rest, SC: 800-476-4103 • Simi Valley, CA: 800-423-0150 • Fax: 864-834-3518 • www.tsbrass.com

ITEM NO.	SALES NO.	DESCRIPTION
1	B-0198-FD05	Serrated Tip w/ 0.5 GPM Flow Disc & Washer
2	001051-45	Washer
3	000387-40	Nozzle
4	B-0968	Vacuum Breaker Assembly, 3/8"
5	001522-40	7" Riser
6	209L-GAS-NS	Dark Blue "GAS" Lab Button Index
7	BL-4000-01	Ball Valve Hose Cock w/ GAS, AIR & VAC Indexes
8	001160-45	Gasket, BL-6000
9	001004-45	Washer, Turret BL-6000, Brass
10	000381-20	Nipple, Supply, 3/8" Pipe, Brass
11	000969-45	Nut, Lock, 3/8" NPSL, Brass
12	002521-45NS	4-Arm Handle (New Style)
13	FD05	Flow Disc, 0.5 GPM [1.9 L/min.] (Lime)
14	001191-45NS	Green "CW" Lab Button Index
15	000925-45	Lab Handle Screw
16	012443-40NS	Quarter-Turn Eterna Cartridge, w/ Spring Check, RTC



Product Specifications:

Combination Gas & Water Fixture w/ (2) Ball Valve Gas Cocks, Quarter-Turn Eterna Cartridge with Spring Check and 4-Arm Handle, Vacuum Breaker, Rigid Nozzle w/ Serrated Tip & 0.5 GPM Flow Control & 3/8" NPT Male Inlets

Product Compliance:

ASME A112.18.1 / CSA B125.1
NSF 61 - Section 9
NSF 372 (Low Lead Content)
ASSE 1001 (VB)
ANSI Z21.15a / CSA 9.1a (Gas Valves)
ANSI A117.1 (ADA)