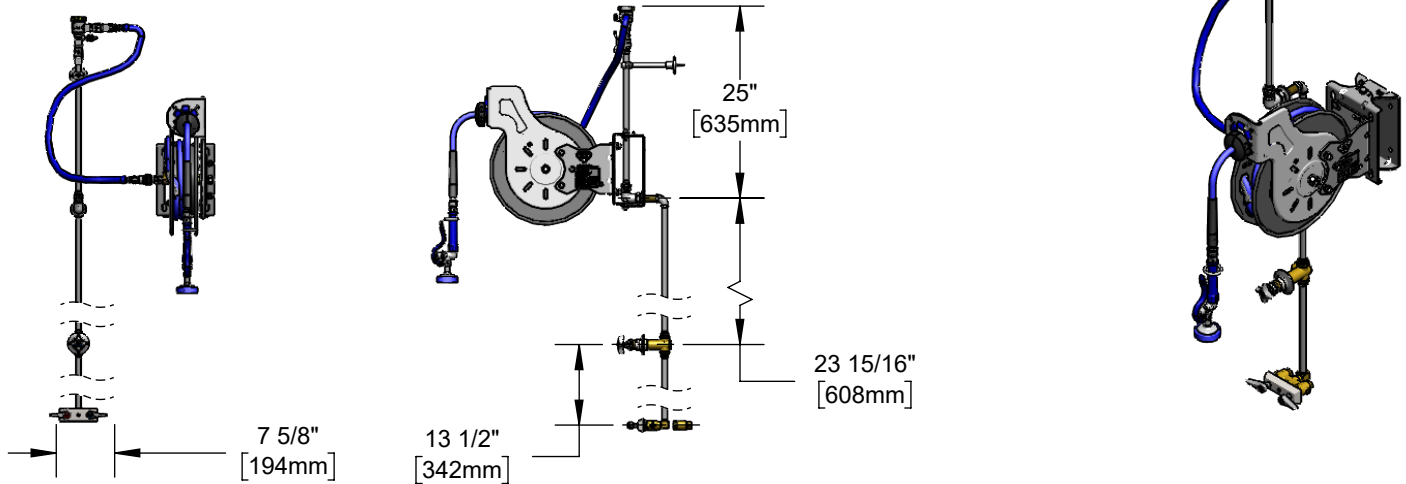




Architect/Engineering Specifications:

3" concealed wall mount mixing faucet with brass body, chrome plated brass escutcheon, compression cartridges with spring checks, lever handles, 3/8" NPT female inlets, 1/2" NPT in-line check valves with 1/2" NPT female inlets, 12" riser, concealed control valve, 18" riser, 22" riser, wall bracket, slip flange, continuous pressure vacuum breaker, 36" flexible water hose connector with stainless steel quick disconnect, open coated hose reel with 3/8" x 35' heavy-duty non-marking hose, ratcheting system, high flow spray valve with swivel, multi-fit bracket, stainless steel wall mount swing bracket, and adjustable hose bumper. Certified to ASSE 1056.

Job Name _____
 Model Specified _____ Quantity _____
 Variations Specified _____
 Date _____



Features & Benefits:

- All-in-one system with exposed piping and accessories
- 3" concealed wall mount mixing faucet w/ brass body
- Quarter-turn Eterna compression cartridges w/ spring checks to prevent cross flow of water
- Lever handles w/ color coded indexes
- 3/8" NPT female inlets
- (2) 1/2" NPT in-line check valves w/ 1/2" NPT female inlets
- 12", 18", and 22" risers w/ concealed control valve between risers
- 2 3/8" wall bracket
- Continuous pressure vacuum breaker
- 36" flexible water hose connector with stainless steel quick disconnect
- Open epoxy coated hose reel with adjustable hose bumper
- High flow spray valve w/ heat resistant blue handle, swivel & hold down ring
- 3/8" x 35' heavy-duty non-marking hose rated to 300 PSI
- Ratcheting system holds the length of hose until a slight tug to retract automatically
- Multi-fit bracket for wall, ceiling or under counter mounting
- EasyInstall universal stainless steel wall mount hose reel 100° swing bracket Material: Brass body faucet, control valve, chrome plated brass spray valve, riser & escutcheon, chrome plated metal handles and vacuum breaker and metal open reel.

Product Compliance:

- NSF 61 Exempt (Non-Potable)
- 2019 DOE PRSV Non-Compliant
- ASSE 1056 (VB)



Warranty: One Year (Limited)

- Hose Reel: Two Year (Limited)
- Hose: One Year (Limited)

Performance Data:

- Pressure: 20 - 125 psi [1.38 - 8.62 bar]
- Temperature: 40°F - 140°F [4.44°C - 60°C]
- Flow Rate: 2.79 GPM [10.56 L/min] @ 60 psi [4.14 bar]

Optional Hose Reel Spray Valves

- B-0107 Spray Valve
- B-0108 Ergonomic Medium Flow Spray Valve
- B-0108-H Ergonomic High Flow Spray Valve
- EB-0107 High Flow Spray Valve (Standard)
- EB-2322 Extended Spray Wand
- MV-2516-24 Stainless Steel Rear Trigger Water Gun
- MV-2522-24 Stainless Steel Front Trigger Water Gun
- MV-3516-24 Aluminum Rear Trigger Water Gun

