



T&S BRASS AND BRONZE WORKS, INC.

2 Saddleback Cove / P.O. Box 1088
Travelers Rest, SC 29690

Model No.

B-0133-B-02

Item No.

Travelers Rest, SC: 800-476-4103 • Simi Valley, CA: 800-423-0150 • Fax: 864-834-3518 • www.tsbrass.com

This Space for Architect/Engineer Approval

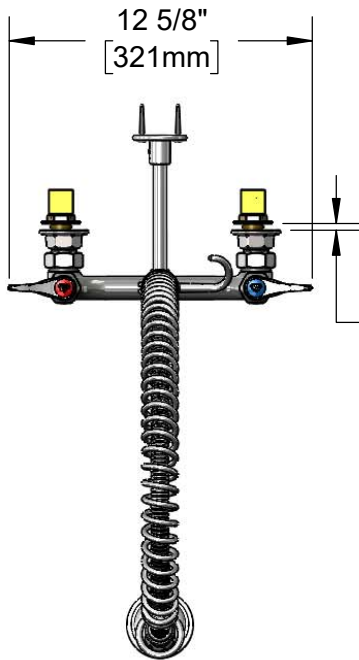
Job Name _____ Date _____

Model Specified _____ Quantity _____

Customer/Wholesaler _____

Contractor _____

Architect/Engineer _____



3/16"
[7mm]
Maximum
Thickness

44" Flexible
Stainless Steel
Hose w/ Spring
& Spray Valve

Items Not
Shown
for Clarity

Finger Hook

3/8" NPT x
18" Riser

EasyInstall
Lock Nut
& Bushing

3 11/16"
[94mm]

8"
[203mm]

Adjustable From
7 3/4" to 8 1/4"
[197mm to 210mm]

B-0107
1.15 GPM
Spray Valve

3 3/4"
[95mm]

Quarter-Turn
Eterna Cartridges
w/ Spring Checks
& Lever Handles
w/ Color Coded
Indexes

2 3/8"
[61mm]

14 1/16"
[357mm]

B-0109-01
6" Wall
Bracket

33 3/8"
[848mm]

B-0230-K
Installation Kit
w/ 1/2" NPT
Male Inlets

Mounting
Surface

Product Specifications:

Pre-Rinse Unit: EasyInstall 8" Wall Mount Mixing Faucet, Quarter-Turn Eterna Cartridges w/ Spring Checks, Lever Handles, 44" Flexible Stainless Steel Hose, 1.15 GPM Spray Valve, 6" Wall Bracket & Installation Kit w/ 1/2" NPT Male Inlets

Product Compliance:

ASME A112.18.1 / CSA B125.1
NSF 61 - Section 9
NSF 372 (Low Lead Content)
2019 DOE PRSV - Class II



T&S BRASS AND BRONZE WORKS, INC.

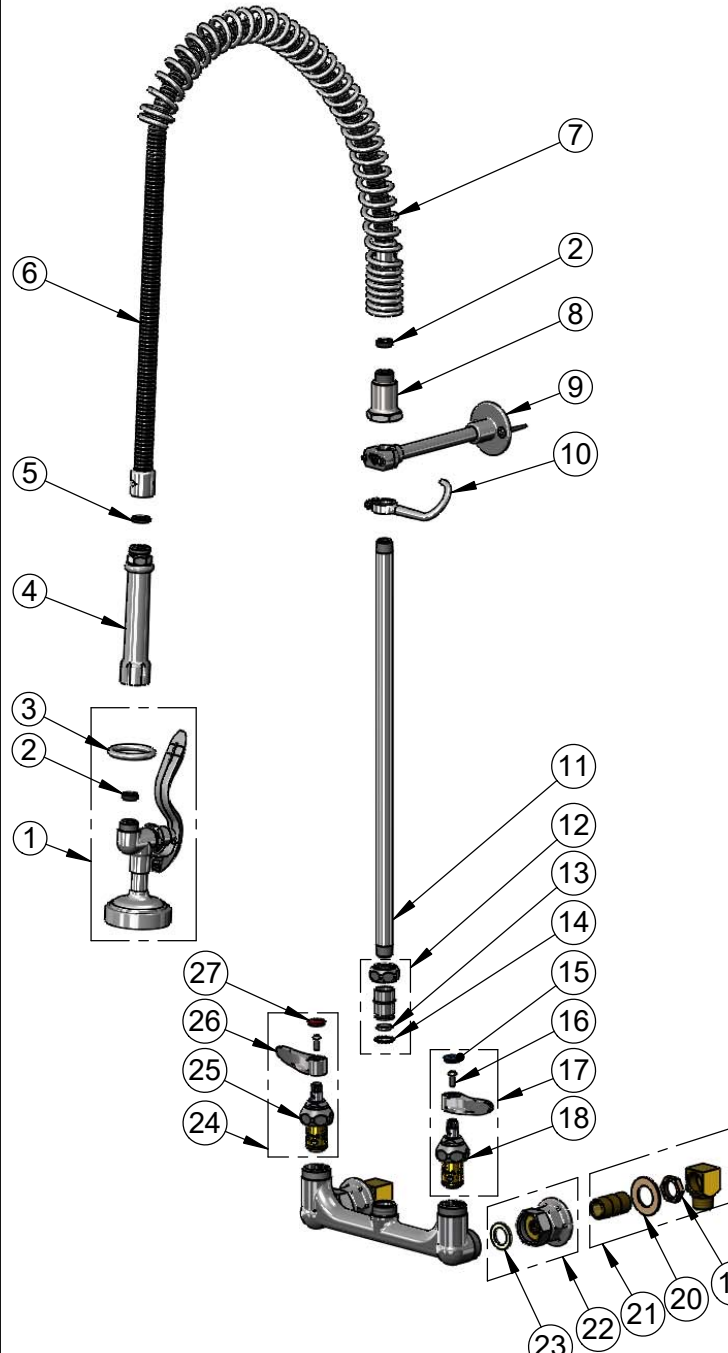
2 Saddleback Cove / P.O. Box 1088
Travelers Rest, SC 29690

Model No.

B-0133-B-02

Item No.

Travelers Rest, SC: 800-476-4103 • Simi Valley, CA: 800-423-0150 • Fax: 864-834-3518 • www.tsbrass.com

	ITEM NO.	SALES NO.	DESCRIPTION
		1	B-0107
	2	010476-45	#27 Washer
	3	000907-45	Spray Valve Hold Down Ring
	4	002987-40	Grip Handle
	5	001014-45	Washer, B-0100 Hose Barrel
	6	B-0044-H2A	44" Flexible Stainless Steel Hose, Less Handle
	7	000888-45	EasyInstall Overhead Spring
	8	000821-40	Spring Body
	9	B-0109-01	6" Wall Bracket
	10	004R	Finger Hook
	11	000369-40	3/8" NPT x 18" Riser
	12	EZ-K	EasyInstall Kit: Nut, Bushing, O-Ring & Lock Washer
	13	001065-45	O-Ring
	14	014200-45	Star Washer, Anti-Rotation
	15	018506-19NS	Blue Button Index, Press-in
	16	000925-45	Lab Handle Screw
	17	002711-40NS	Quarter-Turn Eterna Cartridge, LTC w/ Spring Check, Handle, Index & Screw
	18	012442-40NS	Quarter-Turn Eterna Cartridge, LTC w/ Spring Check
	19	002954-45	Shank Lock Nut
	20	000999-45	Brass Lock Washer
	21	B-0230-K	Short Elbow Installation Kit
	22	00AA	1/2" NPT Female Eccentric Flange
	23	001019-45	Coupling Nut Washer
	24	002712-40NS	Quarter-Turn Eterna Cartridge, RTC w/ Spring Check, Handle, Index & Screw
	25	012443-40NS	Quarter-Turn Eterna Cartridge, RTC w/ Spring Check
	26	001638-45NS	Lever Handle (New Style)
	27	001193-19NS	Red Button Index, Press-in

Product Specifications:
Pre-Rinse Unit: EasyInstall 8" Wall Mount Mixing Faucet, Quarter-Turn Eterna Cartridges w/ Spring Checks, Lever Handles, 44" Flexible Stainless Steel Hose, 1.15 GPM Spray Valve, 6" Wall Bracket & Installation Kit w/ 1/2" NPT Male Inlets

Product Compliance:
ASME A112.18.1 / CSA B125.1
NSF 61 - Section 9
NSF 372 (Low Lead Content)
2019 DOE PRSV - Class II