



T&S BRASS AND BRONZE WORKS, INC.
 2 Saddleback Cove / P.O. Box 1088
 Travelers Rest, SC 29690

Model No.
BL-5725-09CRWH4

Item No.

Travelers Rest, SC: 800-476-4103 • Simi Valley, CA: 800-423-0150 • Fax: 864-834-3518 • www.tsbrass.com



ADA Compliant

This Space for Architect/Engineer Approval

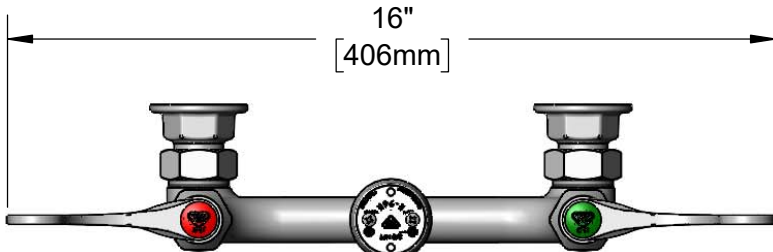
Job Name _____ Date _____

Model Specified _____ Quantity _____

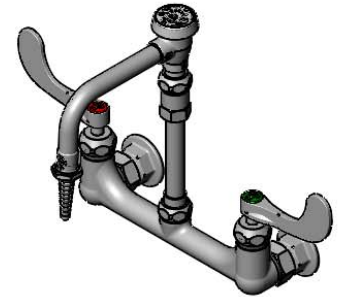
Customer/Wholesaler _____

Contractor _____

Architect/Engineer _____



16"
[406mm]

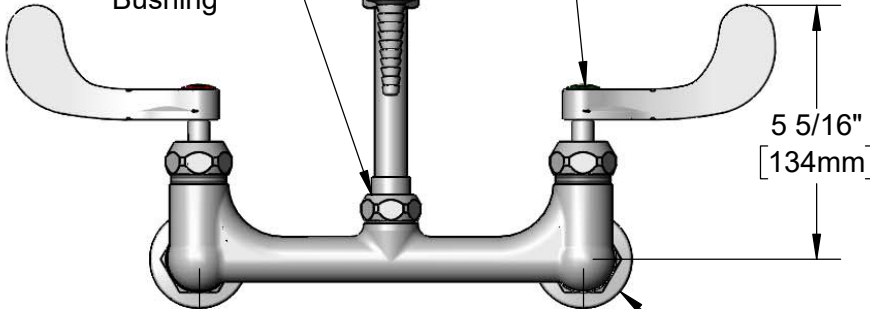


B-0968
3/8" NPT Vacuum Breaker

BL-5560-02
Swivel Vacuum
Breaker Nozzle w/
Serrated Tip w/ 0.5 GPM
Flow Control

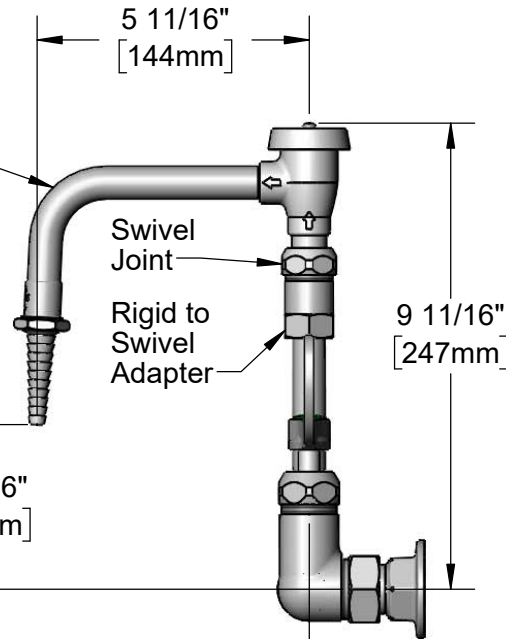
Quarter-Turn
Cerama Cartridges w/
Check Valves &
4" Wrist Action Handles w/
Color Coded Indexes

EasyInstall
Lock Nut &
Bushing



5 5/16"
[134mm]

3 7/16"
[87mm]



5 11/16"
[144mm]

9 11/16"
[247mm]

8"
[203mm]
Adjustable From
7 3/4" to 8 1/4"
[197mm to 210mm]

Ø2"
[51mm]
Flanges w/
1/2" NPT
Female Inlets

2 3/8"
[61mm]

Product Specifications:

8" Wall Mount Laboratory Mixing Faucet, Quarter-Turn Cerama Cartridges w/ Check Valves, 4" Wrist Action Handles, Swivel Vacuum Breaker Nozzle, Serrated Tip w/ 0.5 GPM Flow Control & 1/2 NPT Female Inlets

Product Compliance:

ASME A112.18.1 / CSA B125.1
 NSF 61 - Section 9
 NSF 372 (Low Lead Content)
 ANSI A117.1 (ADA)
 ASSE 1001 (VB)



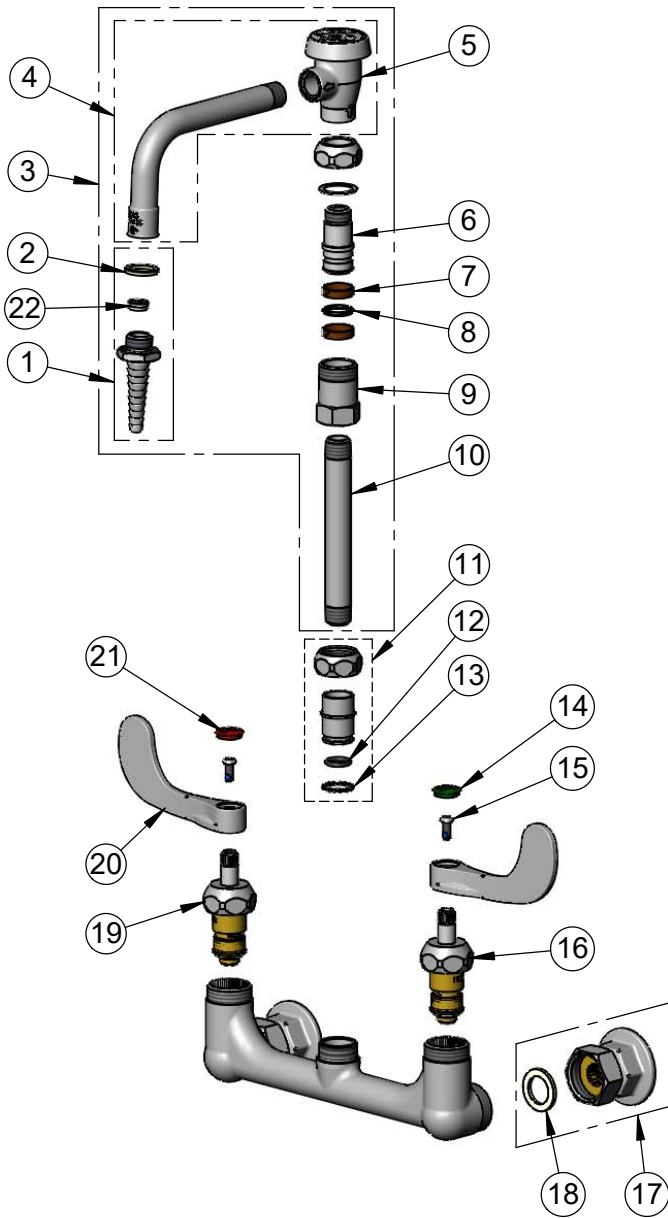
T&S BRASS AND BRONZE WORKS, INC.

2 Saddleback Cove / P.O. Box 1088
Travelers Rest, SC 29690

Model No.
BL-5725-09CRWH4

Item No.

Travelers Rest, SC: 800-476-4103 • Simi Valley, CA: 800-423-0150 • Fax: 864-834-3518 • www.tsbrass.com



ITEM NO.	SALES NO.	DESCRIPTION
1	B-0198-FD05	Serrated Tip Outlet w/ 0.5 GPM Flow Disc & Washer
2	001051-45	Washer
3	BL-5560-02	Swivel Vacuum Breaker Nozzle w/ Swivel Adapter, Serrated Tip w/ 0.5 GPM Flow Disc
4	007283-40	Vacuum Breaker Nozzle
5	B-0968	3/8" NPT Vacuum Breaker
6	000843-25	Swivel Body
7	011429-45	Swivel Sleeves (2)
8	001074-45	O-ring
9	054X	Swivel Body
10	000361-40	3/8" NPT x 5" Riser
11	EZ-K	EasyInstall Kit
12	001065-45	O-ring
13	014200-45	Star Washer, Anti-Rotation
14	001191-45NS	Green "CW" Lab Button Index
15	000925-45	Lab Handle Screw
16	012395-25NS	Quarter-Turn Cerama Cartridge w/ Check Valve, LTC
17	00AA	1/2" NPT Female Eccentric Flange
18	001019-45	Coupling Nut Washer
19	012394-25NS	Quarter-Turn Cerama Cartridge w/ Check Valve, RTC
20	B-WH4-NS	Wrist Action Handle - New Style
21	001194-45NS	Red "HW" Lab Button Index
22	FD05	Flow Disc, 0.5 GPM [1.9 L/min.] (Lime)

Product Specifications:
8" Wall Mount Laboratory Mixing Faucet, Quarter-Turn Cerama Cartridges w/ Check Valves, 4" Wrist Action Handles, Swivel Vacuum Breaker Nozzle, Serrated Tip w/ 0.5 GPM Flow Control & 1/2 NPT Female Inlets

Product Compliance:
ASME A112.18.1 / CSA B125.1
NSF 61 - Section 9
NSF 372 (Low Lead Content)
ANSI A117.1 (ADA)
ASSE 1001 (VB)