



T&S BRASS AND BRONZE WORKS, INC.

2 Saddleback Cove / P.O. Box 1088
Travelers Rest, SC 29690

Model No.

B-0717

Item No.

Travelers Rest, SC: 800-476-4103 • Simi Valley, CA: 800-423-0150 • Fax: 864-834-3518 • www.tsbrass.com



ADA Compliant

This Space for Architect/Engineer Approval

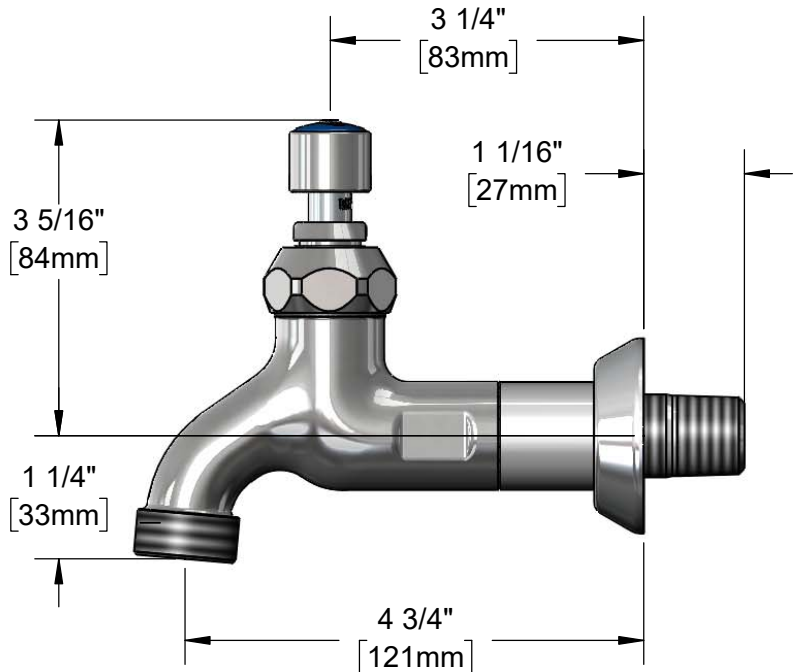
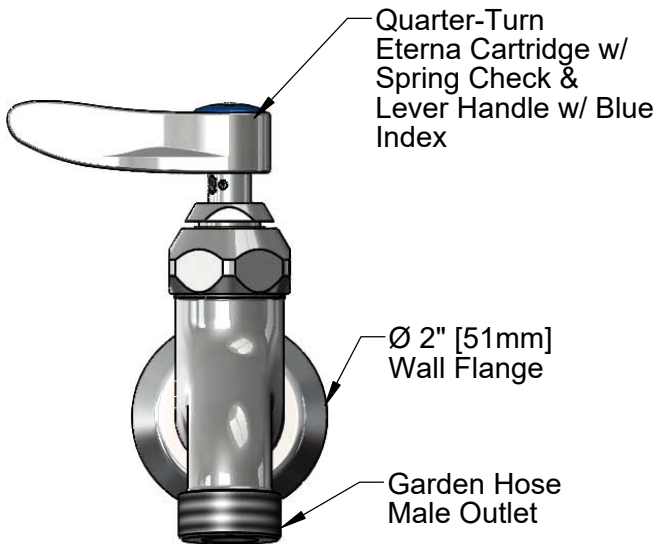
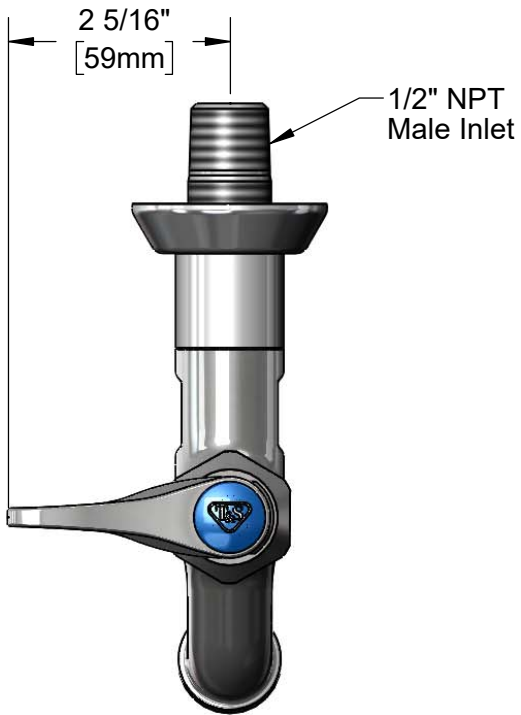
Job Name _____ Date _____

Model Specified _____ Quantity _____

Customer/Wholesaler _____

Contractor _____

Architect/Engineer _____



Rough-In Requirement:
Ø 1" [25mm] Mounting Hole

Product Specifications:

Single Sink Wall Mount Faucet, Quarter-Turn Eterna Cartridge w/ Spring Check, Lever Handle, Garden Hose Male Outlet, Adjustable Wall Flange & 1/2" NPT Male Inlet

Product Compliance:

ASME A112.18.1 / CSA B125.1
NSF 61 - Section 9
NSF 372 (Low Lead Content)
ANSI A117.1 (ADA)



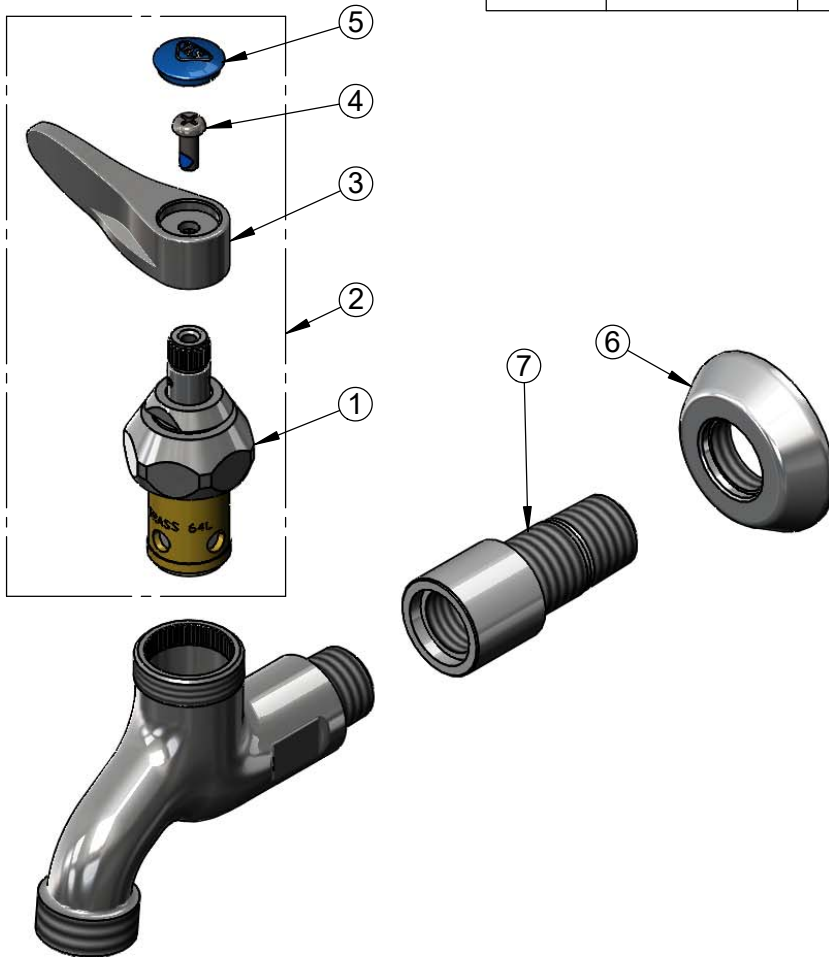
T&S BRASS AND BRONZE WORKS, INC.
 2 Saddleback Cove / P.O. Box 1088
 Travelers Rest, SC 29690

Model No.
B-0717

Item No.

Travelers Rest, SC: 800-476-4103 • Simi Valley, CA: 800-423-0150 • Fax: 864-834-3518 • www.tsbrass.com

| ITEM NO. | SALES NO. | DESCRIPTION |
|----------|-------------|---|
| 1 | 012443-40NS | Quarter-Turn Eterna Cartridge w/ Spring Check, RTC |
| 2 | 019639-40 | Quarter-Turn Eterna Cartridge RTC w/ Spring Check, Handle, Blue Index & Screw |
| 3 | 001638-45NS | Lever Handle (New Style) |
| 4 | 000925-45 | Lab Handle Screw |
| 5 | 018506-19NS | Blue Button Index, Press-in |
| 6 | 000023-40 | Adjustable Wall Flange |
| 7 | 005339-40 | Nipple, B-0715 |



Product Specifications:

Single Sink Wall Mount Faucet, Quarter-Turn Eterna Cartridge w/ Spring Check, Lever Handle, Garden Hose Male Outlet, Adjustable Wall Flange & 1/2" NPT Male Inlet

Product Compliance:

ASME A112.18.1 / CSA B125.1
 NSF 61 - Section 9
 NSF 372 (Low Lead Content)
 ANSI A117.1 (ADA)