



Pre-Rinse Units

B-2285-CR-BC

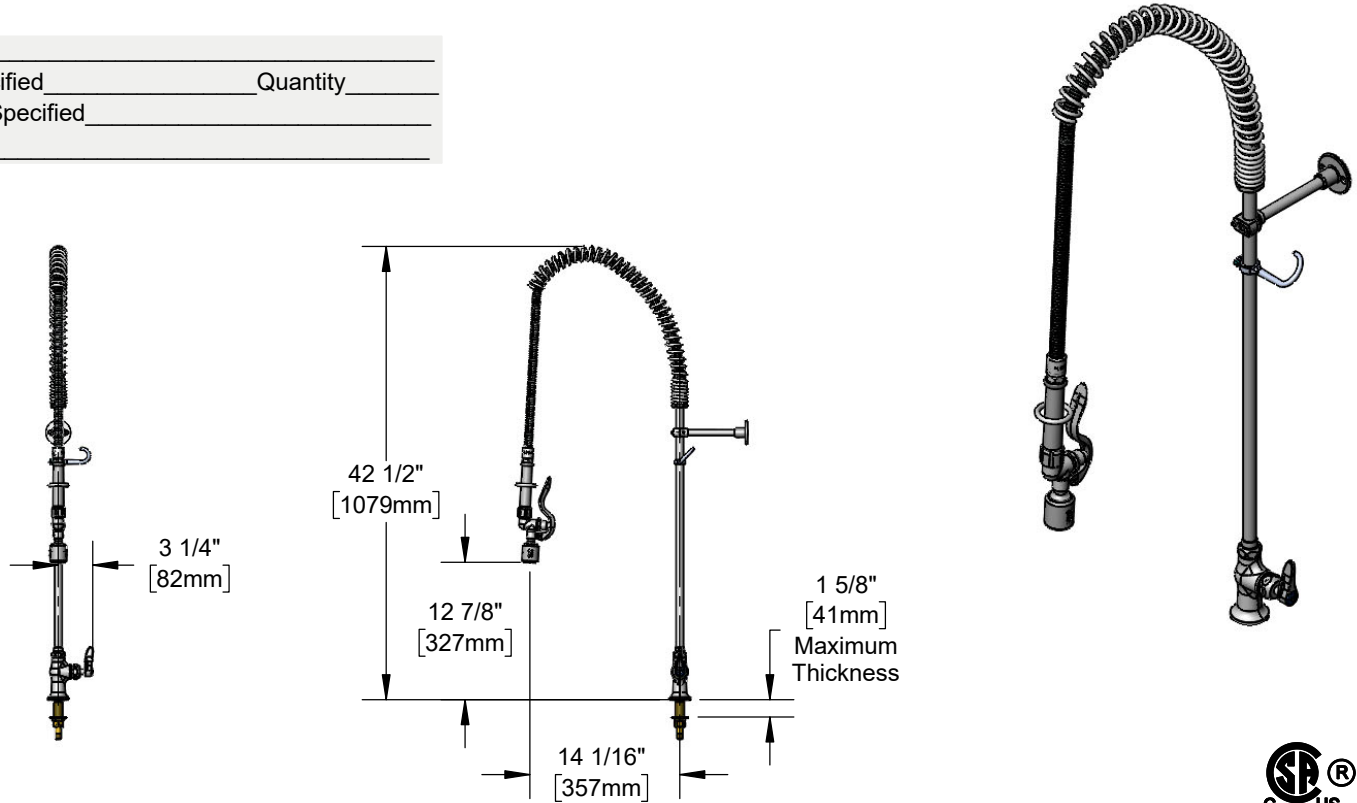
TAG:

EasyInstall Pre-Rinse Unit

Architect/Engineering Specifications:

Single hole single temperature deck mount faucet with polished chrome plated brass body, 24" riser, 44" flexible stainless steel hose with heat resistant handle, 0.65 GPM low flow spray valve, 6" wall bracket, ceramic cartridge with check valve, lever handle, 1/2" NPSM male inlet and spray valve holder. Certified to ASME A112.18.1/CSA B125.1, NSF 61-Section 9 and NSF 372. 2019 DOE PRSV - Class I compliant.

Job Name _____
 Model Specified _____ Quantity _____
 Variations Specified _____
 Date _____



Features & Benefits:

- Single hole single temperature deck mount faucet w/ polished chrome plated brass body
- EasyInstall riser for quick installation
- 44" flexible stainless steel hose w/ heat resistant gray handle and hold down ring
- 0.65 GPM low flow spray valve
- 6" wall bracket
- Quarter-turn Cerama cartridge w/ check valve
- Lever handle w/ color coded index
- 1/2" NPSM male inlet
- Tailpiece and nut for 1/4" NPT male connection
- Material: Polished chrome plated brass body, riser & spray valve body, stainless steel hose and chrome plated metal handle

Product Compliance:

- ASME A112.18.1 / CSA B125.1
- NSF 61 - Section 9
- NSF 372 (Low Lead Content)
- 2019 DOE PRSV - Class I

Warranty: Three Year (Limited)

- Cerama: Lifetime (Limited)

Performance Data:

- Pressure: 20 - 125 psi
- Temperature: 40 °F - 140 °F
- Flow Rate: 0.65 GPM @ 60 psi

Optional Handles

- 4" Wrist Action
- Lever (Standard)
- 4-Arm

Optional Cartridges With Checks

- Quarter-Turn Cerama w/ Check Valve (Standard)
- Quarter-Turn Eterna w/ Spring Check

Optional Pre-Rinse Spray Valves

- B-0107 (1.15 GPM)
- B-0107-C (0.65 GPM) (Standard)
- B-0107-J (1.07 GPM)
- B-0108 (1.07 GPM)
- B-0108-C (0.65 GPM)



T&S BRASS AND BRONZE WORKS, INC.



• 2 Saddleback Cove • Travelers Rest, SC 29690
 Ph 800-476-4103 • Fax 864-834-3518
 • Simi Valley, CA • Ph 800-423-0150 • www.tsbrass.com

Date: 09/20/19