



T&S BRASS AND BRONZE WORKS, INC.
 2 Saddleback Cove / P.O. Box 1088
 Travelers Rest, SC 29690

Model No.
BL-5725-01
 Item No.

Travelers Rest, SC: 800-476-4103 • Simi Valley, CA: 800-423-0150 • Fax: 864-834-3518 • www.tsbrass.com

This Space for Architect/Engineer Approval

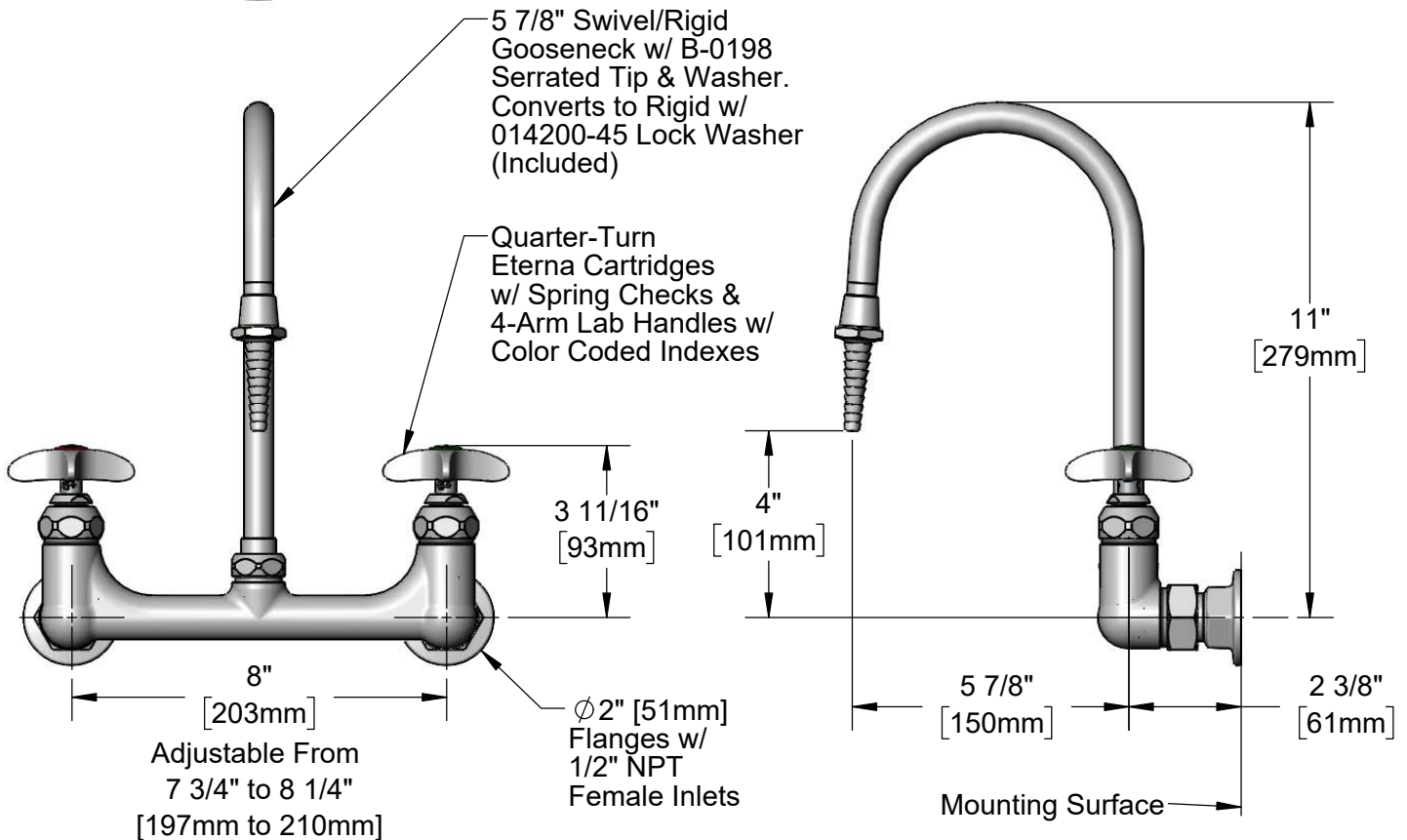
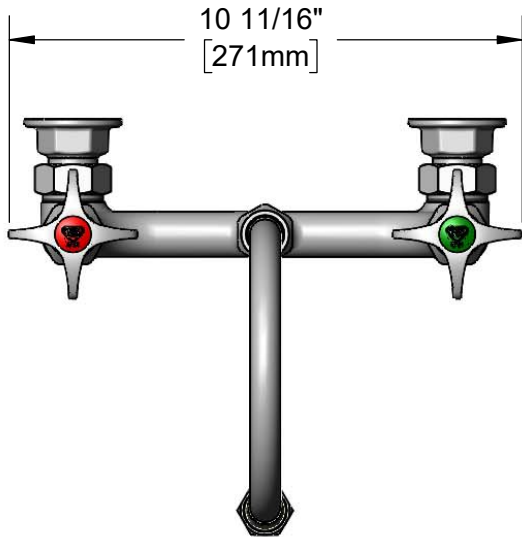
Job Name _____ Date _____

Model Specified _____ Quantity _____

Customer/Wholesaler _____

Contractor _____

Architect/Engineer _____



Product Specifications:
 8" Wall Mount Mixing Faucet, Quarter-Turn Eterna Cartridges w/ Spring Checks, 4-Arm Lab Handles, 5 7/8" Swivel/Rigid Gooseneck, Serrated Tip Outlet & 1/2" NPT Female Inlets

Product Compliance:
 ASME A112.18.1 / CSA B125.1
 NSF 61 - Section 9
 NSF 372 (Low Lead Content)
 ANSI A117.1 (ADA)

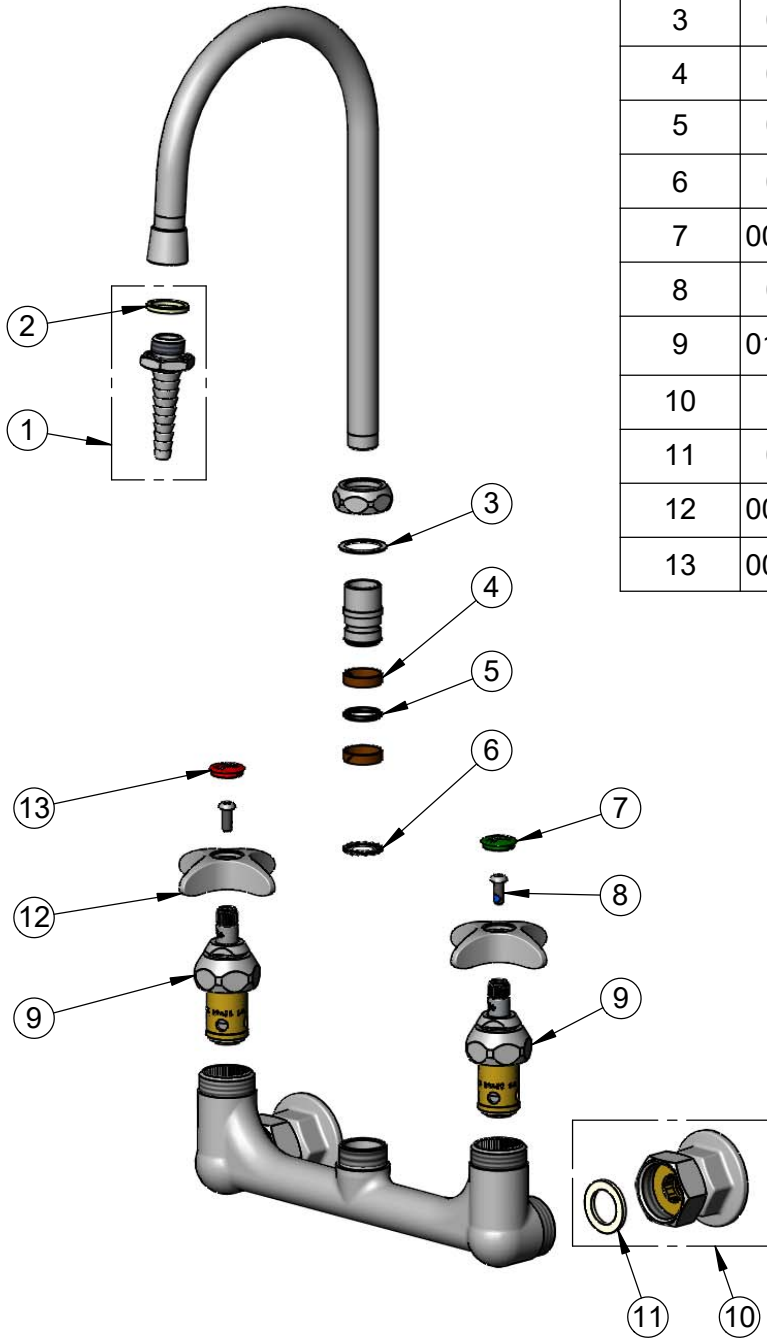


T&S BRASS AND BRONZE WORKS, INC.
 2 Saddleback Cove / P.O. Box 1088
 Travelers Rest, SC 29690

Model No.
BL-5725-01
 Item No.

Travelers Rest, SC: 800-476-4103 • Simi Valley, CA: 800-423-0150 • Fax: 864-834-3518 • www.tsbrass.com

| ITEM NO. | SALES NO. | DESCRIPTION |
|----------|-------------|--|
| 1 | BL-5550-04 | Serrated Tip |
| 2 | 001051-45 | Washer |
| 3 | 009538-45 | Swivel Washer |
| 4 | 011429-45 | Swivel Sleeves (2) |
| 5 | 001074-45 | O-Ring |
| 6 | 014200-45 | Star Washer, Anti-Rotation |
| 7 | 001191-45NS | Green "CW" Lab Button Index |
| 8 | 000925-45 | Lab Handle Screw |
| 9 | 012443-40NS | Quarter-Turn Eterna Cartridge, RTC w/ Spring Check |
| 10 | 00AA | 1/2" NPT Female Eccentric Flange |
| 11 | 001019-45 | Coupling Nut Washer |
| 12 | 002521-45NS | 4-Arm Handle (New Style) |
| 13 | 001194-45NS | Red "HW" Lab Button Index |



Product Specifications:
 8" Wall Mount Mixing Faucet, Quarter-Turn Eterna Cartridges w/ Spring Checks, 4-Arm Lab Handles, 5 7/8" Swivel/Rigid Gooseneck, Serrated Tip Outlet & 1/2" NPT Female Inlets

Product Compliance:
 ASME A112.18.1 / CSA B125.1
 NSF 61 - Section 9
 NSF 372 (Low Lead Content)
 ANSI A117.1 (ADA)