



T&S BRASS AND BRONZE WORKS, INC.

2 Saddleback Cove / P.O. Box 1088
Travelers Rest, SC 29690

Model No.

B-0871-F05

Item No.

Travelers Rest, SC: 800-476-4103 • Simi Valley, CA: 800-423-0150 • Fax: 864-834-3518 • www.tsbrass.com



ADA Compliant

This Space for Architect/Engineer Approval

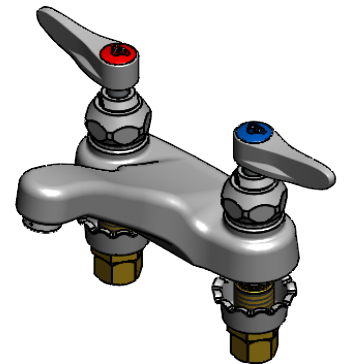
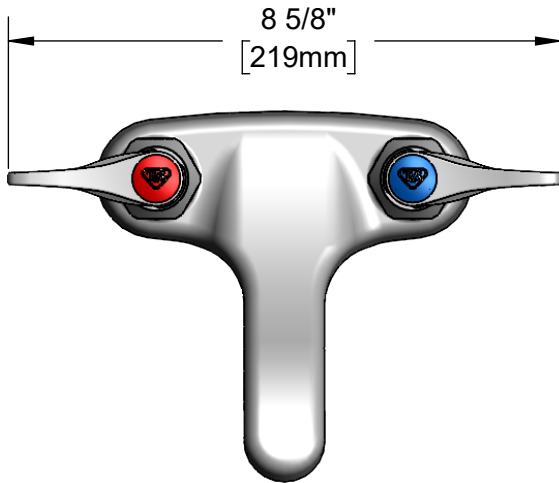
Job Name _____ Date _____

Model Specified _____ Quantity _____

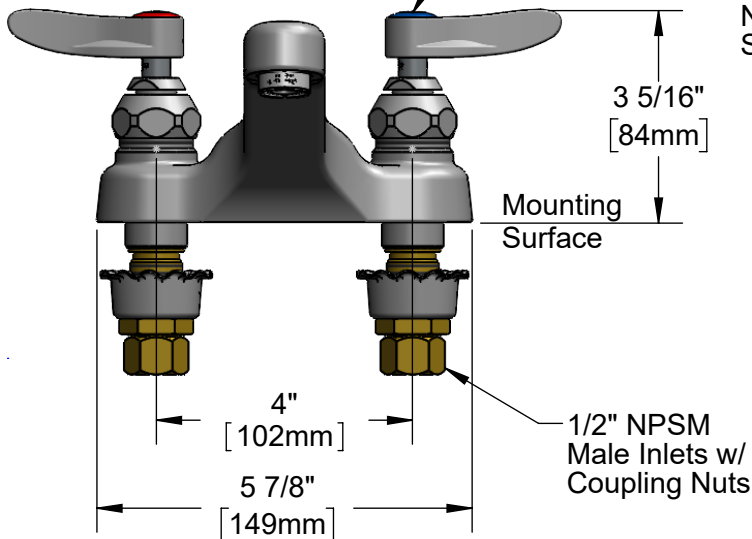
Customer/Wholesaler _____

Contractor _____

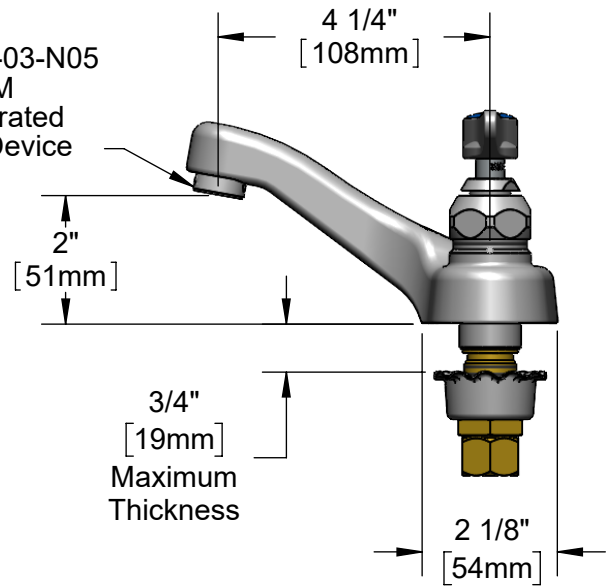
Architect/Engineer _____



Quarter-Turn Eterna Cartridges w/ Spring Checks & Lever Handles w/ Color Coded Indexes



B-0199-03-N05
0.5 GPM
Non-Aerated
Spray Device



Rough-In Requirement:
(2) \varnothing 1 1/8" [29mm] Mounting Holes

Product Specifications:
4" Centerset Deck Mount Faucet, Quarter-Turn Eterna Cartridges w/ Spring Checks, Lever Handles, 0.5 GPM Non-Aerated Spray Device & 1/2" NPSM Male Inlets w/ Coupling Nuts

Product Compliance:
ASME A112.18.1 / CSA B125.1
NSF 61 - Section 9
NSF 372 (Low Lead Content)
ANSI A117.1 (ADA)



T&S BRASS AND BRONZE WORKS, INC.

2 Saddleback Cove / P.O. Box 1088
Travelers Rest, SC 29690

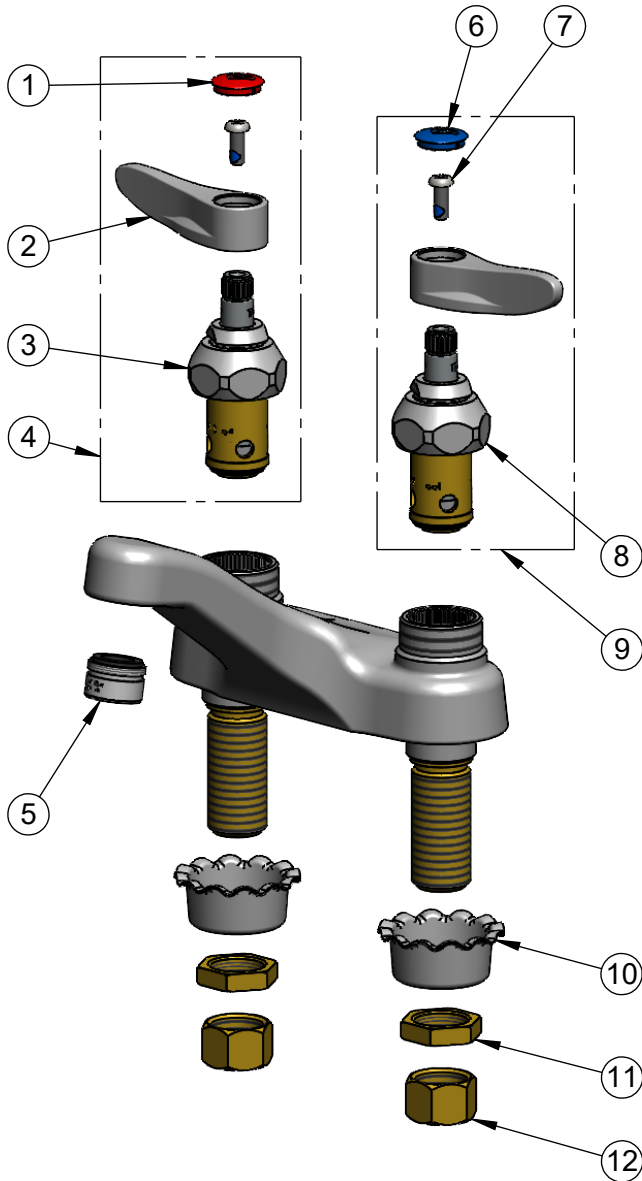
Model No.

B-0871-F05

Item No.

Travelers Rest, SC: 800-476-4103 • Simi Valley, CA: 800-423-0150 • Fax: 864-834-3518 • www.tsbrass.com

ITEM NO.	SALES NO.	DESCRIPTION
1	001193-19NS	Red Button Index, Press-in
2	001638-45NS	Lever Handle (New Style)
3	012443-40NS	Quarter-Turn Eterna Cartridge w/ Spring Check, RTC
4	002712-40NS	Quarter-Turn Eterna Cartridge w/ Spring Check, Handle, Red Index & Screw, RTC
5	B-0199-03-N05	0.5 GPM Spray Device, 13/16-27 Male
6	018506-19NS	Blue Button Index, Press-in
7	000925-45	Lab Handle Screw
8	012442-40NS	Quarter-Turn Eterna Cartridge w/ Spring Check, LTC
9	002711-40NS	Quarter-Turn Eterna Cartridge w/ Spring Check, Handle, Blue Index & Screw, LTC
10	001000-45	Rosette Washer
11	002954-45	Shank Lock Nut
12	000958-20	Coupling Nut



Product Specifications:

4" Centerset Deck Mount Faucet, Quarter-Turn Eterna Cartridges w/ Spring Checks, Lever Handles, 0.5 GPM Non-Aerated Spray Device & 1/2" NPSM Male Inlets w/ Coupling Nuts

Product Compliance:

ASME A112.18.1 / CSA B125.1
NSF 61 - Section 9
NSF 372 (Low Lead Content)
ANSI A117.1 (ADA)