



# T&S BRASS AND BRONZE WORKS, INC.

2 Saddleback Cove / P.O. Box 1088  
Travelers Rest, SC 29690

Model No.

**B-7132-U03XS6**

Item No.

Travelers Rest, SC: 800-476-4103 • Simi Valley, CA: 800-423-0150 • Fax: 864-834-3518 • www.tsbrass.com

This Space for Architect/Engineer Approval

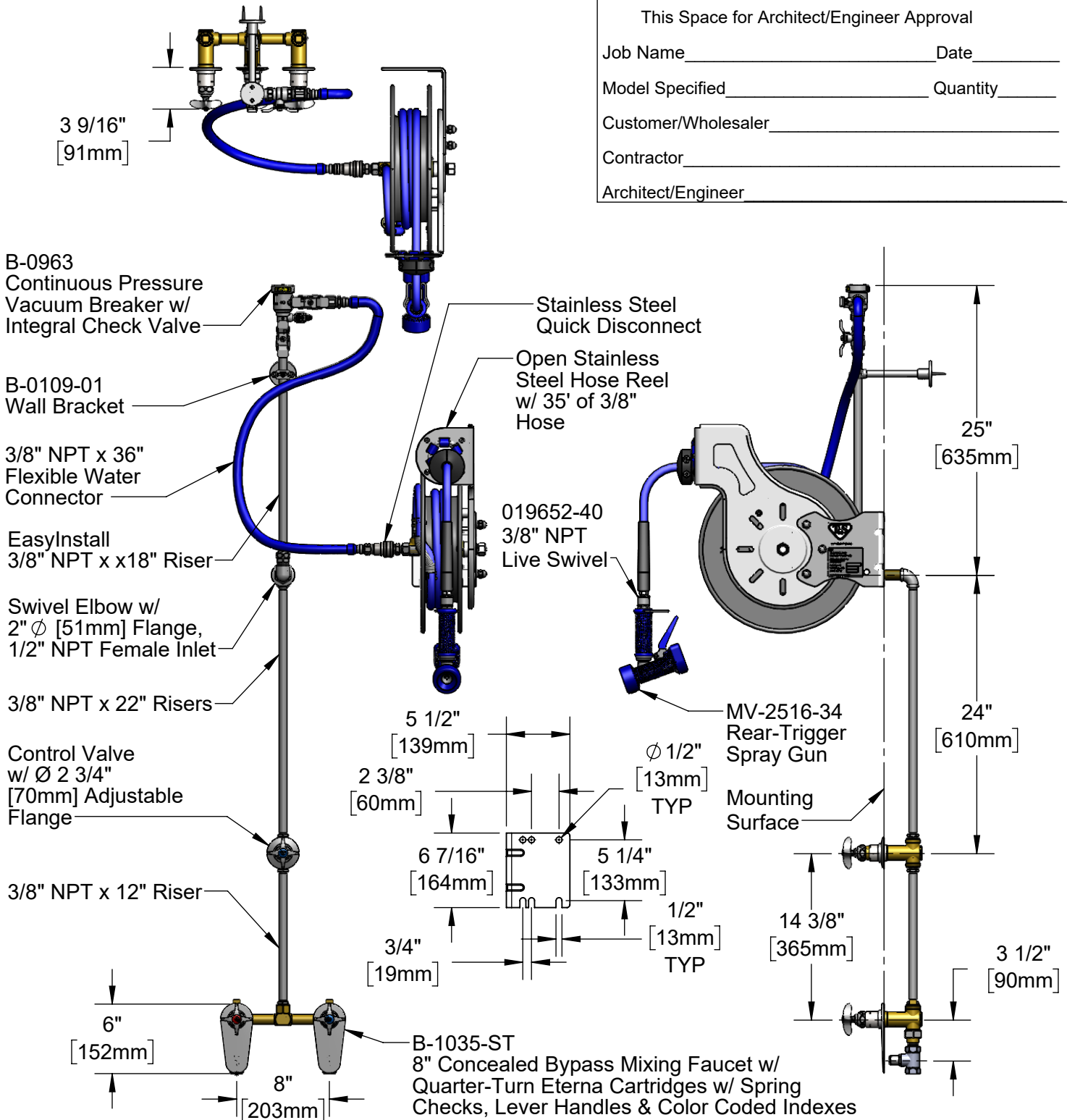
Job Name \_\_\_\_\_ Date \_\_\_\_\_

Model Specified \_\_\_\_\_ Quantity \_\_\_\_\_

Customer/Wholesaler \_\_\_\_\_

Contractor \_\_\_\_\_

Architect/Engineer \_\_\_\_\_



**Product Specifications:**

Open Stainless Steel Hose Reel w/ 35' of 3/8" Hose, 7/16" Rear Trigger Spray Gun w/ Swivel, Vacuum Breaker, 3/8" NPT Flexible Water Connector, 8" Concealed Bypass Mixing Faucet w/ Loose Key Stops and 6" Tear Drop Wall Flanges & Control Valve

**Product Compliance:**

NSF 61 Exempt (Non-Potable)  
2019 DOE PRSV Non-Compliant  
ASSE 1056 (VB)



# T&S BRASS AND BRONZE WORKS, INC.

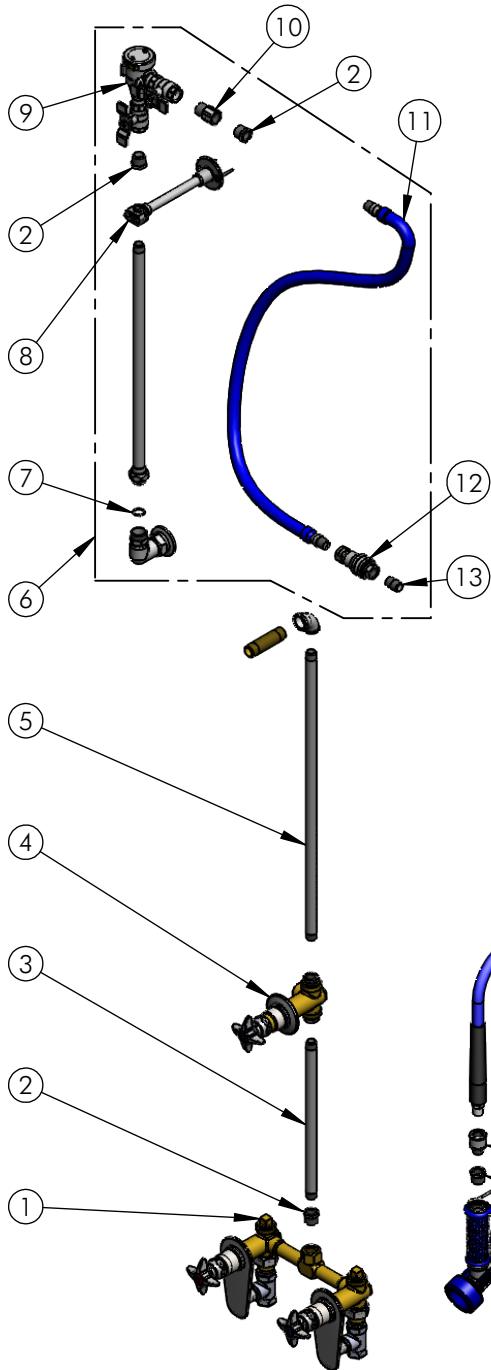
2 Saddleback Cove / P.O. Box 1088  
Travelers Rest, SC 29690

Model No.

**B-7132-U03XS6**

Item No.

Travelers Rest, SC: 800-476-4103 • Simi Valley, CA: 800-423-0150 • Fax: 864-834-3518 • www.tsbrass.com



ITEM NO.	SALES NO.	DESCRIPTION
1	B-1035-ST	8" Concealed Bypass Mixing Faucet w/ Teardrop Flange
2	001359-40	1/2" NPT Male x 3/8" NPT Female Hex Bushing
3	145X	3/8" NPT x 12" Riser
4	0RK2	Control Valve
5	000371-40	3/8" NPT x 22" Riser
6	0RK-SK	Hose Reel Connector Kit
7	014200-45	Star Washer, Anti-Rotation
8	B-0109-01	Wall Bracket
9	B-0963	Vacuum Breaker 1/2" NPT Female
10	015073-40	Check Valve w/ 1/2" NPT Adapter
11	HW-2B-36	3/8" NPT x 36" Flexible Water Hose
12	AW-5B	3/8" NPT Quick Disconnect
13	002535-25	3/8" Close Nipple
14	019652-40	3/8" NPT Live Swivel
15	MV-2516-34	High Flow 7/16" Orifice Rear Trigger Spray Gun

**Product Specifications:**

Open Stainless Steel Hose Reel w/ 35' of 3/8" Hose, 7/16" Rear Trigger Spray Gun w/ Swivel, Vacuum Breaker, 3/8" NPT Flexible Water Connector, 8" Concealed Bypass Mixing Faucet w/ Loose Key Stops and 6" Tear Drop Wall Flanges & Control Valve

**Product Compliance:**

NSF 61 Exempt (Non-Potable)  
2019 DOE PRSV Non-Compliant  
ASSE 1056 (VB)