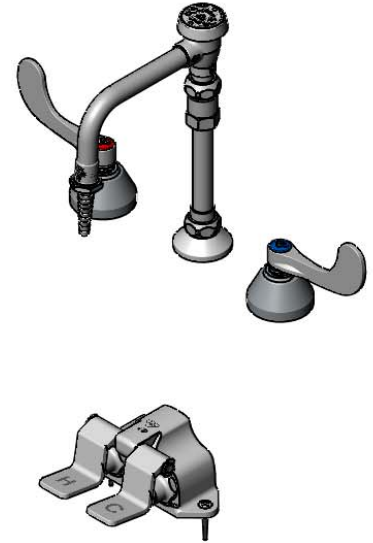
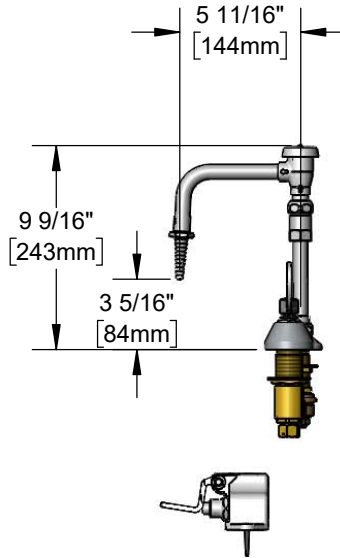
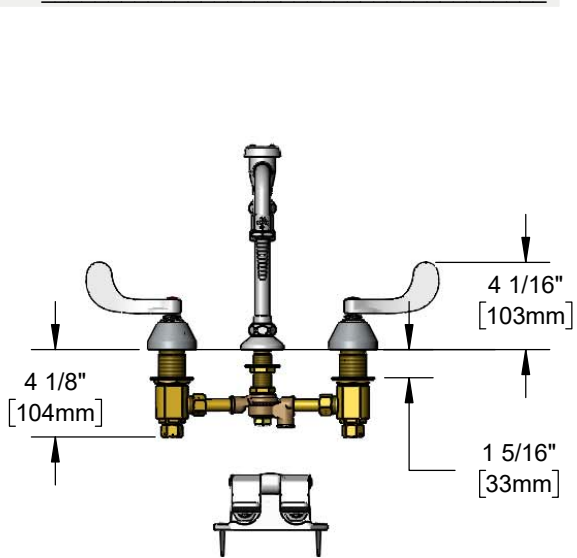




#### Architect/Engineering Specifications:

8" adjustable center, concealed deck mount mixing faucet, swing nozzle with vacuum breaker and serrated tip w/ 0.5 GPM flow control, compression cartridges with spring checks, 4" wrist action handles, chrome plated escutcheons, pedal valve inlet, floor mounted double pedal valve and 1/2" NPT male inlets. Certified to ASME A112.18.1/CSA B125.1, NSF 61-Section 9 and NSF 372 and ASSE 1001. Meets ADA ANSI/ICC A117.1 requirements.

Job Name \_\_\_\_\_  
 Model Specified \_\_\_\_\_ Quantity \_\_\_\_\_  
 Variations Specified \_\_\_\_\_  
 Date \_\_\_\_\_



#### Features & Benefits:

- 8" (max.) adjustable center, deck mount lavatory mixing faucet
- Floor mounted double pedal valve
- Polished chrome plated swing nozzle w/ vacuum breaker
- Serrated tip outlet w/ 0.5 GPM flow control and washer
- 4" wrist action handles with color coded indexes
- Quarter-turn Eterna compression cartridges w/ spring checks to prevent the cross flow of water
- 1/2" NPT male inlets with coupling nuts
- 1/4" NPT female pedal valve inlet
- Material: Forged brass body, chrome plated metal handles and escutcheons & polished chrome plated pedal valve & brass tubular spout

#### Product Compliance:

- ASME A112.18.1 / CSA B125.1
- NSF 61 - Section 9
- NSF 372 (Low Lead Content)
- ASSE 1001 (VB)
- ANSI A117.1 (ADA)

**Warranty:** One Year (Limited)

#### Performance Data:

- Pressure: 20 - 125 psi [1.38 - 8.62 bar]
- Temperature: 40 °F - 140 °F [4.44 °C - 60 °C]
- Flow Rate: 0.5 GPM [1.9 L/min] @ 60 psi [4.14 bar]



ADA Compliant



#### Optional Handles

- 4" Wrist Action (Standard)
- Lever
- 4-Arm

#### Optional Cartridges

- Quarter-Turn Cerama w/ Check Valve
- Quarter-Turn Eterna w/ Spring Check (Standard)
- Push Button Metering
- Pivot Action Metering
- Wrist Action Metering

