



Architect/Engineering Specifications:

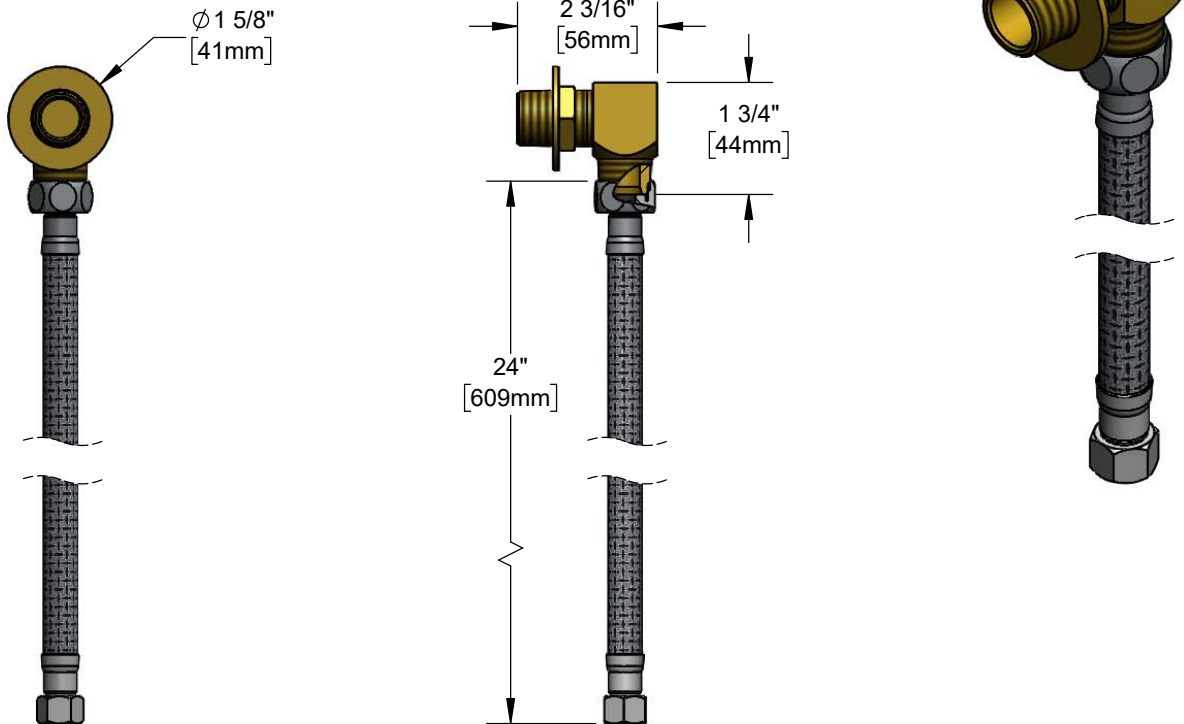
Inlet kit. 24" supply hoses, short elbows, nipples, lock nuts and washers that provide 1/2" NPT male out and 3/8" compression inlet when assembled. Certified to ASME A112.18.1/CSA B125.1, NSF 61-Section 9 and NSF 372.

Job Name _____

Model Specified _____ Quantity _____

Variations Specified _____

Date _____



Features & Benefits:

- Inlet kit
- (2) short elbows with 1/2" NPT male inlet and 1/2" NPT male outlet
- (2) 1/2" NPT supply nipples
- (2) lock nuts and washers
- (2) 24" flexible stainless steel supply hoses w/ 3/8" compression inlet and 1/2" NPSM outlet
- Material: Brass inlets & shanks and stainless steel hoses

Product Compliance:

- ASME A112.18.1 / CSA B125.1
- NSF 61 - Section 9
- NSF 372 (Low Lead Content)

Warranty: One Year (Limited)

Performance Data:

- N/A

