



**T&S BRASS AND BRONZE WORKS, INC.**  
 2 Saddleback Cove / P.O. Box 1088  
 Travelers Rest, SC 29690

Model No.  
**B-0310-119X-WS**

Item No.

Travelers Rest, SC: 800-476-4103 • Simi Valley, CA: 800-423-0150 • Fax: 864-834-3518 • www.tsbrass.com



**ADA Compliant**



This Space for Architect/Engineer Approval

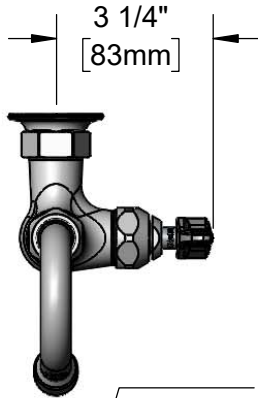
Job Name \_\_\_\_\_ Date \_\_\_\_\_

Model Specified \_\_\_\_\_ Quantity \_\_\_\_\_

Customer/Wholesaler \_\_\_\_\_

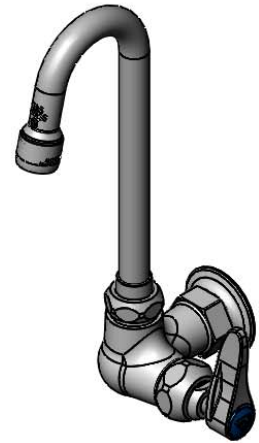
Contractor \_\_\_\_\_

Architect/Engineer \_\_\_\_\_

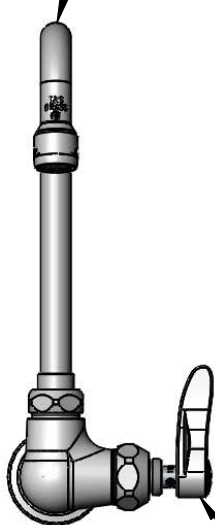


3 1/4"  
[83mm]

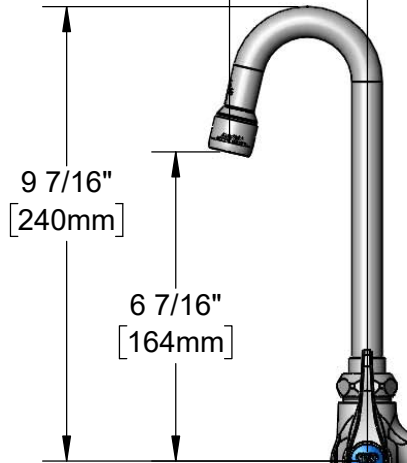
Swivel Gooseneck w/  
 B-0199-01-WS  
 1.5 GPM Aerator.  
 Converts to Rigid w/  
 014200-45  
 Lock Washer (Included)



2 7/8"  
[73mm]



Quarter-Turn Eterna Cartridge  
 w/ Spring Check &  
 Lever Handle w/  
 Color Coded (CW)  
 Index



9 7/16"  
[240mm]

6 7/16"  
[164mm]

Mounting  
 Surface

Ø2" [51mm]  
 Flange w/  
 1/2" NPT  
 Female Inlet

**Product Specifications:**

Single Hole Single Temperature Wall Mount Faucet, Quarter-Turn Eterna Cartridge w/ Spring Check, Swivel/Rigid Gooseneck w/ 1.5 GPM Aerator, Lever Handle & 1/2" NPT Female Inlet

**Product Compliance:**

ASME A112.18.1 / CSA B125.1  
 NSF 61 - Section 9  
 NSF 372 (Low Lead Content)  
 ANSI A117.1 (ADA)  
 EPA WaterSense

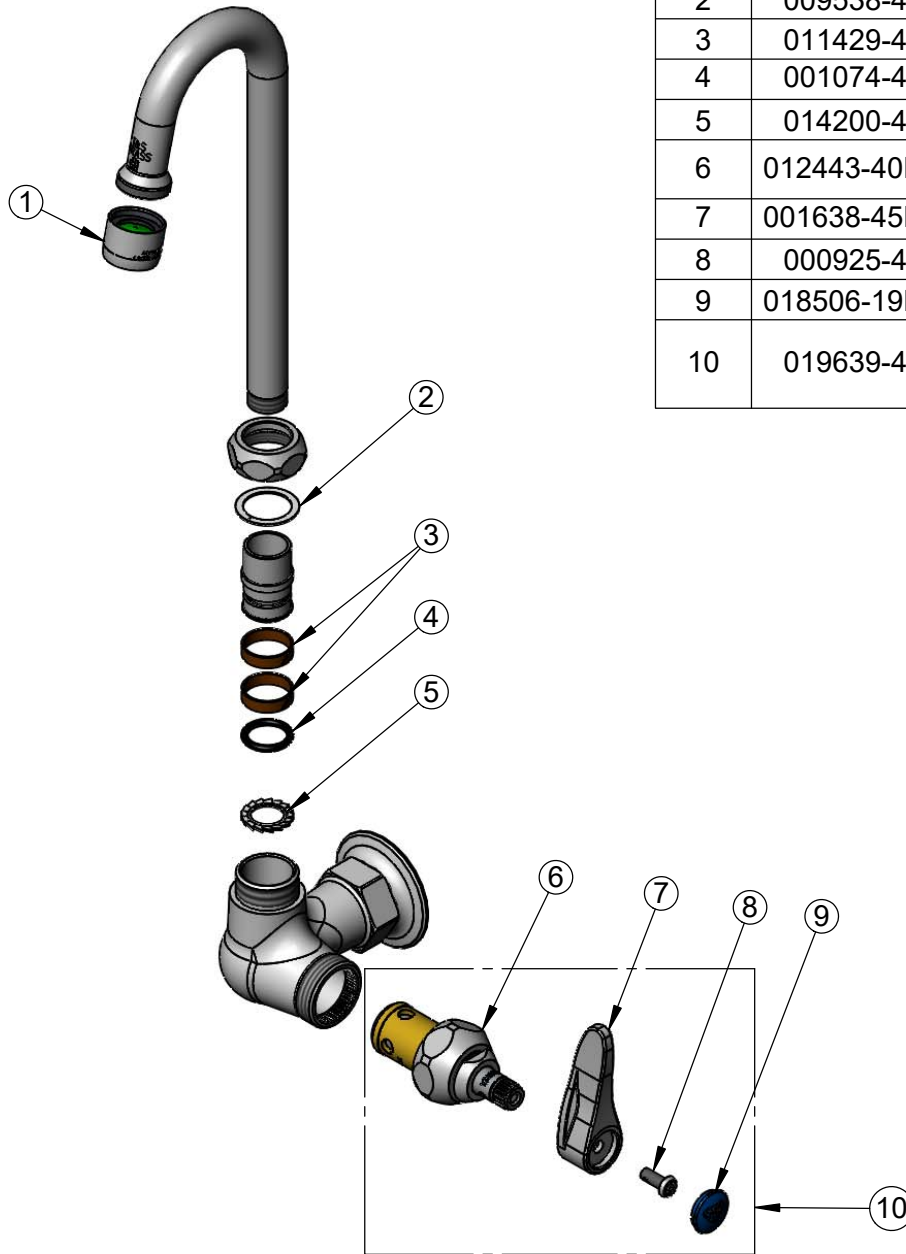


**T&S BRASS AND BRONZE WORKS, INC.**  
 2 Saddleback Cove / P.O. Box 1088  
 Travelers Rest, SC 29690

Model No.  
**B-0310-119X-WS**

Item No.

Travelers Rest, SC: 800-476-4103 • Simi Valley, CA: 800-423-0150 • Fax: 864-834-3518 • www.tsbrass.com



ITEM NO.	SALES NO.	DESCRIPTION
1	B-0199-01-WS	1.5 GPM Aerator, 55/64-27 Female
2	009538-45	Swivel Washer
3	011429-45	Swivel Sleeves (2)
4	001074-45	O-Ring
5	014200-45	Star Washer, Anti-Rotation
6	012443-40NS	Quarter-Turn Eterna Cartridge w/ Spring Check, RTC
7	001638-45NS	Lever Handle (New Style)
8	000925-45	Lab Handle Screw
9	018506-19NS	Blue Button Index, Press-in
10	019639-40	Quarter-Turn Eterna Cartridge RTC w/ Spring Check, Handle, Blue Index & Screw

**Product Specifications:**

Single Hole Single Temperature Wall Mount Faucet, Quarter-Turn Eterna Cartridge w/ Spring Check, Swivel/Rigid Gooseneck w/ 1.5 GPM Aerator, Lever Handle & 1/2" NPT Female Inlet

**Product Compliance:**

ASME A112.18.1 / CSA B125.1  
 NSF 61 - Section 9  
 NSF 372 (Low Lead Content)  
 ANSI A117.1 (ADA)  
 EPA WaterSense