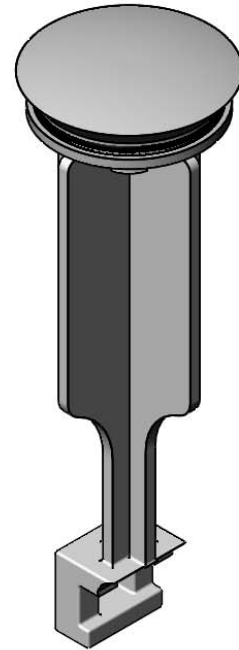
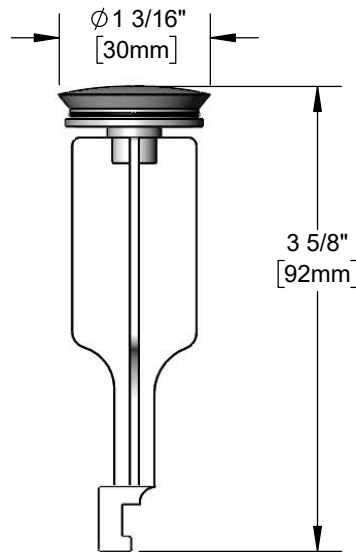




Architect/Engineering Specifications:

Stopper for pop-up drain assembly.

Job Name _____
 Model Specified _____ Quantity _____
 Variations Specified _____
 Date _____



Features & Benefits:

- Stopper for pop-up drain assembly
- Material: Chrome plated brass cap and plastic or unplated brass body

Product Compliance:

- N/A

Warranty: One Year (Limited)

Performance Data:

- N/A

