



**T&S BRASS AND BRONZE WORKS, INC.**  
 2 Saddleback Cove / P.O. Box 1088  
 Travelers Rest, SC 29690

Model No.  
**B-0123-A-08 SERIES**

Item No.

Travelers Rest, SC: 800-476-4103 • Simi Valley, CA: 800-423-0150 • Fax: 864-834-3518 • www.tsbrass.com

This Space for Architect/Engineer Approval

Job Name \_\_\_\_\_ Date \_\_\_\_\_

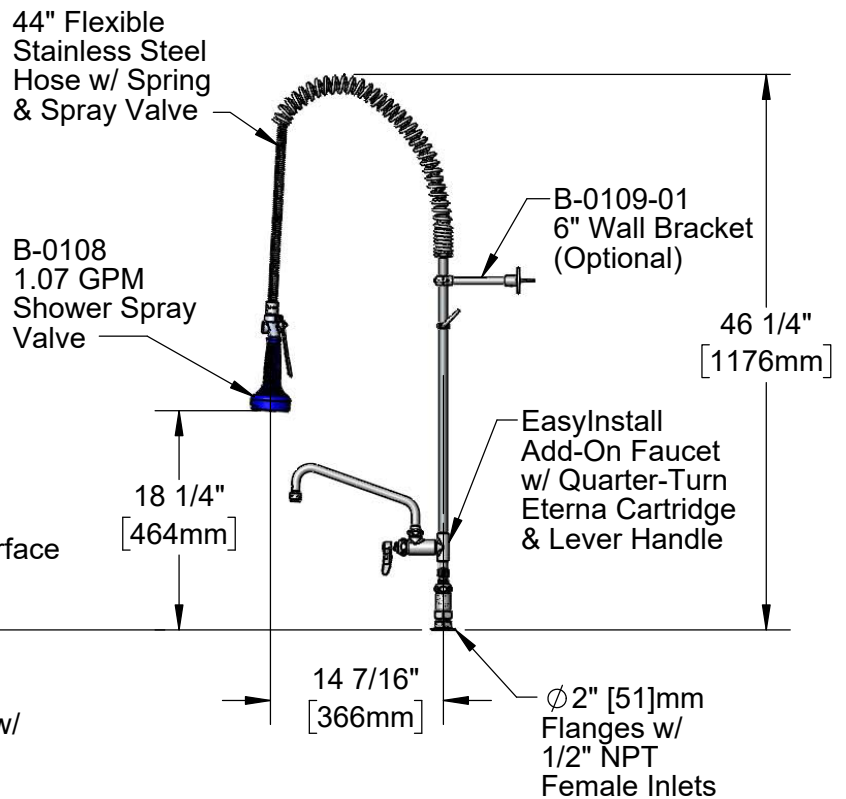
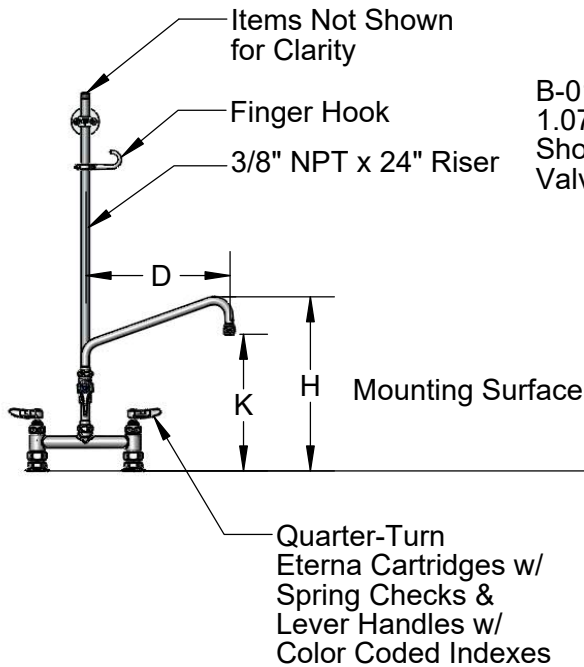
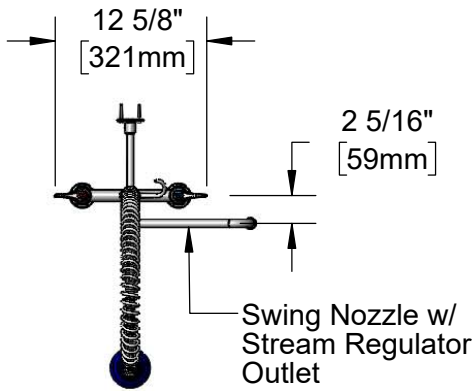
Model Specified \_\_\_\_\_ Quantity \_\_\_\_\_

Customer/Wholesaler \_\_\_\_\_

Contractor \_\_\_\_\_

Architect/Engineer \_\_\_\_\_

| Model          | Swing Nozzle | D   | K       | H        | 6" Wall Bracket |
|----------------|--------------|-----|---------|----------|-----------------|
| B-0123-A06-B08 | 059X         | 6"  | 9 7/16" | 12 9/16" | Yes             |
| B-0123-A08-B08 | 060X         | 8"  | 10"     | 13 1/8"  | Yes             |
| B-0123-A10-08  | 061X         | 10" | 10 3/4" | 13 7/8"  | No              |
| B-0123-A10-B08 | 061X         | 10" | 10 3/4" | 13 7/8"  | Yes             |
| B-0123-A12-08  | 062X         | 12" | 11 3/8" | 14 1/2"  | No              |
| B-0123-A12-B08 | 062X         | 12" | 11 3/8" | 14 1/2"  | Yes             |



**Product Specifications:**  
 EasyInstall Pre-Rinse Unit:  
 8" Deck Mount Base Mixing Faucet, Quarter-Turn Eterna Cartridges w/  
 Spring Checks, Add-On Faucet w/ Swing Nozzle, 24" Riser, 44" Flexible  
 Stainless Steel Hose, 1.07 GPM Spray Valve & 6" Wall Bracket (Optional)

**Product Compliance:**  
 ASME A112.18.1 / CSA B125.1  
 NSF 61 - Section 9  
 NSF 372 (Low Lead Content)  
 2019 DOE PRSV - Class II



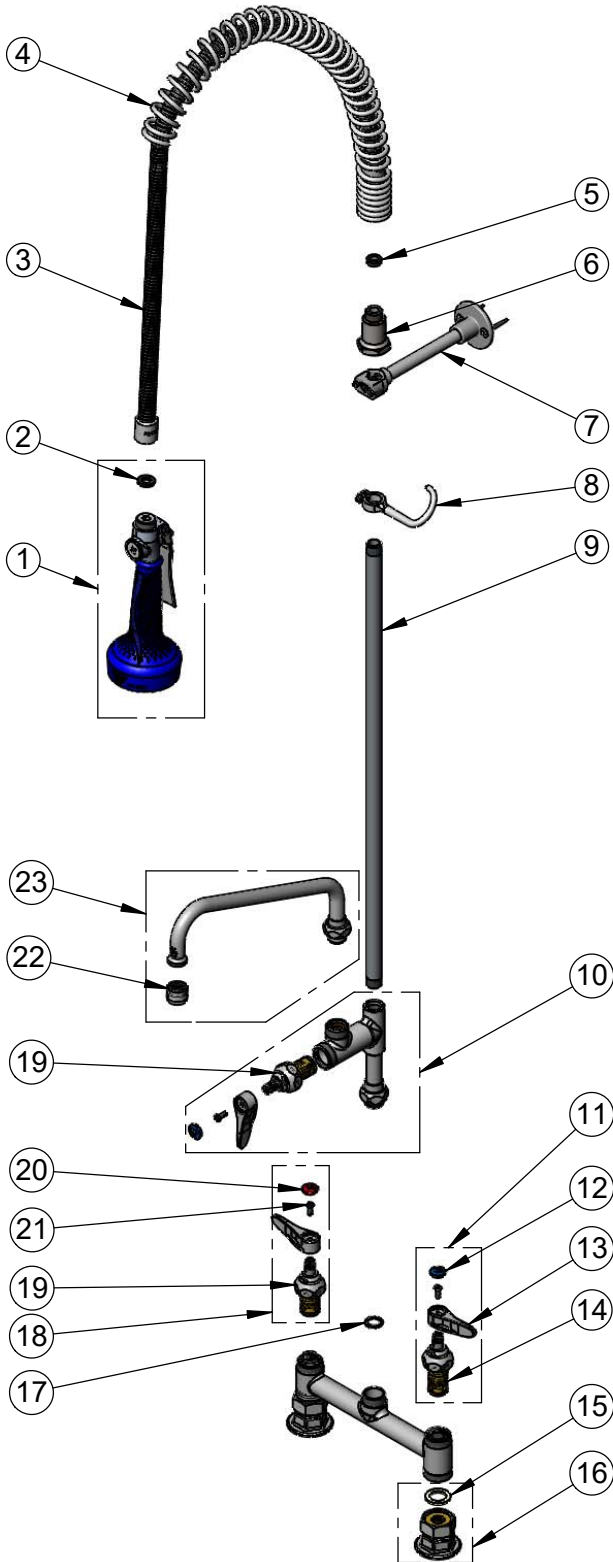
# T&S BRASS AND BRONZE WORKS, INC.

2 Saddleback Cove / P.O. Box 1088  
Travelers Rest, SC 29690

Model No.  
**B-0123-A-08 SERIES**

Item No.

Travelers Rest, SC: 800-476-4103 • Simi Valley, CA: 800-423-0150 • Fax: 864-834-3518 • www.tsbrass.com



| ITEM NO. | SALES NO.   | DESCRIPTION   |
|----------|-------------|---|
| 1        | B-0108      | 1.07 GPM Spray Valve w/ Ergo-Grip   |
| 2        | 001014-45   | Washer, B-0100 Hose Barrel  |
| 3        | B-0044-H2A  | 44" Flexible Stainless Steel Hose, Less Handle  |
| 4        | 000888-45   | EasyInstall Overhead Spring   |
| 5        | 010476-45   | #27 Washer  |
| 6        | 000821-40   | Spring Body   |
| 7        | B-0109-01   | 6" Wall Bracket   |
| 8        | 004R        | Finger Hook   |
| 9        | 000372-40   | 3/8" NPT x 24" Riser  |
| 10       | B-0155-LNEZ | Add-On Faucet w/ Quarter-Turn Turn Eterna Cartridge, RTC & Lever Handle (Less Nozzle) |
| 11       | 002711-40NS | Quarter-Turn Eterna Cartridge, LTC w/ Spring Check, Handle, Index & Screw             |
| 12       | 018506-19NS | Blue Button Index, Press-in   |
| 13       | 001638-45NS | Lever Handle (New Style)  |
| 14       | 012442-40NS | Quarter-Turn Eterna Cartridge, LTC w/ Spring Check                                    |
| 15       | 001019-45   | Coupling Nut Washer   |
| 16       | 00AA        | 1/2" NPT Female Eccentric Flange  |
| 17       | 014200-45   | Star Washer, Anti-Rotation  |
| 18       | 002712-40NS | Quarter-Turn Eterna Cartridge, RTC w/ Spring Check, Handle, Index & Screw             |
| 19       | 012443-40NS | Quarter-Turn Eterna Cartridge, RTC w/ Spring Check                                    |
| 20       | 001193-19NS | Red Button Index, Press-in  |
| 21       | 000925-45   | Lab Handle Screw  |
| 22       | B-PT        | Full Flow Stream Regulator, 55/64-27  |
| 23       | See Chart   | Swing Nozzle  |

**Product Specifications:**  
EasyInstall Pre-Rinse Unit:  
8" Deck Mount Base Mixing Faucet, Quarter-Turn Eterna Cartridges w/ Spring Checks, Add-On Faucet w/ Swing Nozzle, 24" Riser, 44" Flexible Stainless Steel Hose, 1.07 GPM Spray Valve & 6" Wall Bracket (Optional)

**Product Compliance:**  
ASME A112.18.1 / CSA B125.1  
NSF 61 - Section 9  
NSF 372 (Low Lead Content)  
2019 DOE PRSV - Class II