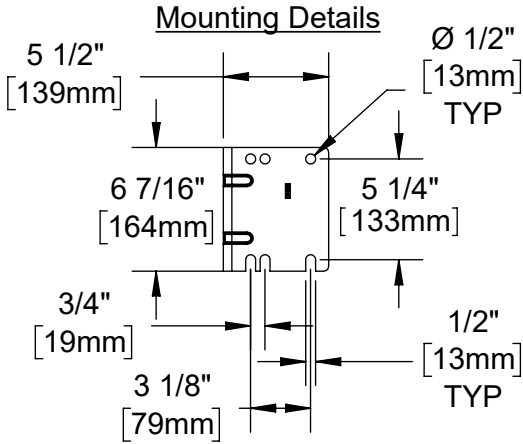
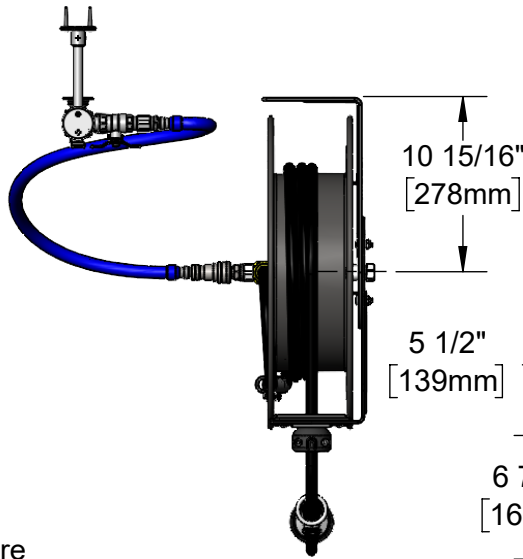


*This Space for Architect/Engineer Approval*

Job Name \_\_\_\_\_ Date \_\_\_\_\_  
 Model Specified \_\_\_\_\_ Quantity \_\_\_\_\_  
 Customer/Wholesaler \_\_\_\_\_  
 Contractor \_\_\_\_\_  
 Architect/Engineer \_\_\_\_\_



B-0963  
 Continuous Pressure  
 Vacuum Breaker w/  
 Integral Check Valve

Stainless Steel  
 Quick Disconnect

3/8" NPT x 36"  
 Flexible Water  
 Connector

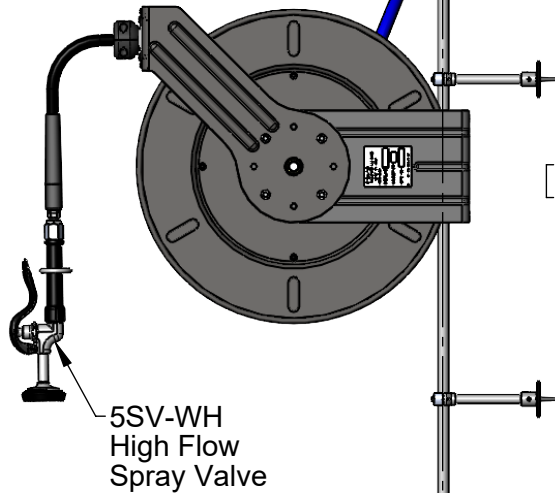
3/8" NPT x 40"  
 Riser

(2) 013716-40  
 Wall Brackets

Single Supply  
 Wall Mount Faucet,  
 Quarter-Turn  
 Ceramic Cartridges  
 & equip Lever Handle

Ø 1 15/16"  
 [50mm]

Black Powder Coated Hose Reel  
 w/ 50' of Ø 3/8" Hose



45 1/4"  
 [1149mm]

5SV-WH  
 High Flow  
 Spray Valve

1 5/8"  
 [41mm]

1 7/8"  
 [48mm]

Rough-In Requirement:  
 Ø 1" [25mm] Mounting Hole

Model Number

**5HR-242-01XE2**

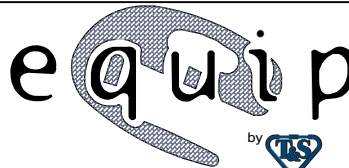
Product Specifications:

Open Epoxy Coated Steel Hose Reel w/ 50' of 3/8" Hose,  
 High Flow Spray Valve, Vacuum Breaker, 3/8" NPT Flexible  
 Water Hose, Single Supply Wall Mount Faucet,  
 1/2" NPT Female Inlets, & (2) Wall Brackets

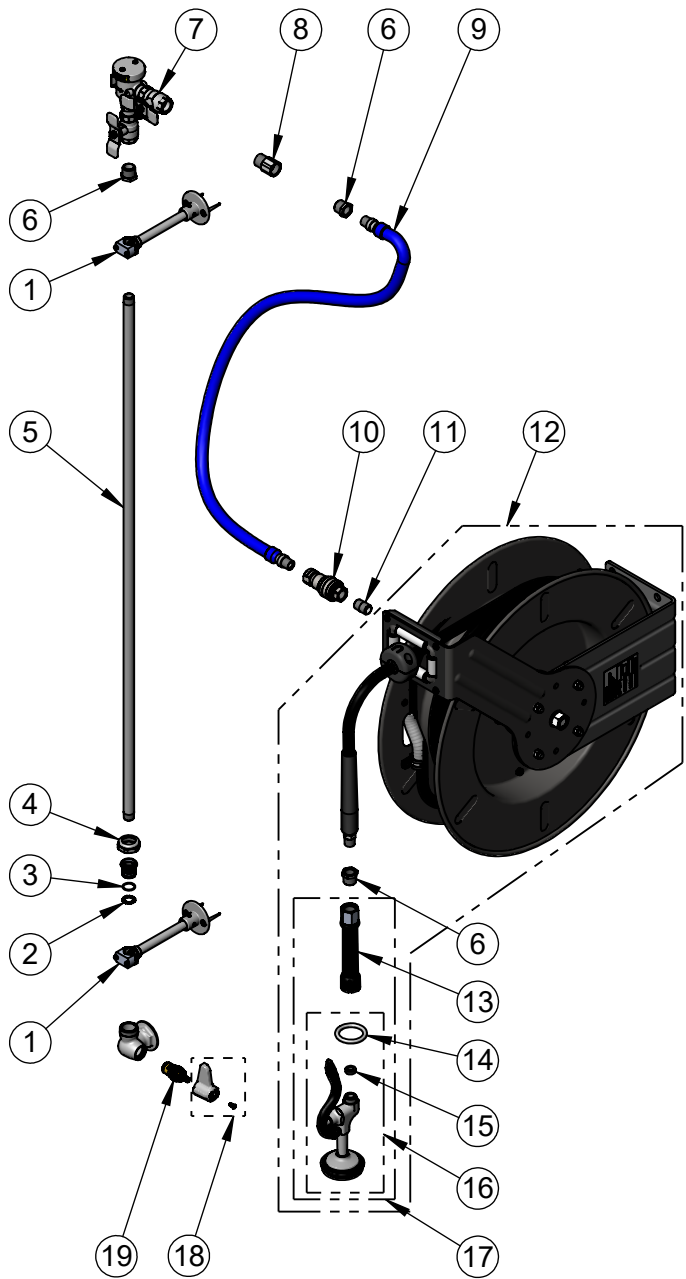
Product Compliance:

NSF 61 Exempt (Non-Potable)  
 2019 DOE PRSV Non-Compliant  
 ASSE 1056 (VB)

equip  
 Foodservice  
 Accessories



2 Saddleback Cove, P.O. Box 1088  
 Travelers Rest, South Carolina 29690  
 Phone: 800.891.4808 Fax: 800.868.0084  
 equip.tsbrass.com



ITEM NO.	SALES NO.	DESCRIPTION
1	013716-40	6" Wall Bracket
2	014200-45	Star Washer, Anti-Rotation
3	001065-45	O-Ring
4	013839-25	equip Swivel Nut
5	002558-40	3/8" NPT x 40" Riser
6	001359-40	Hex Bushing, 1/2" NPT Male x 3/8" NPT Female
7	B-0963	Continuous Pressure VB w/ Integral Check Valve
8	015073-40	Check Valve w/ 1/2" NPT Adapter
9	HW-2B-36	3/8" NPT x 36" Flexible Water Hose
10	AW-5B	3/8" NPT Quick Disconnect
11	002535-25	3/8" Close Nipple
12	5HR-242-01	50' of 3/8" equip Open Coated Hose Reel
13	5HR-HDL	Hose Reel Grip Handle
14	000907-45	Spray Valve Hold Down Ring
15	010476-45	#27 Washer
16	5SV-H	High Flow Spray Valve
17	5SV-WH	High Flow Spray Valve, Handle, & Ring
18	5-HDL-L	equip Lever Handle w/ Color Coded Screws
19	013787-45	equip Ceramic Cartridge, RTC

Model Number  
**5HR-242-01XE2**

Product Compliance:  
NSF 61 Exempt (Non-Potable)  
2019 DOE PRSV Non-Compliant  
ASSE 1056 (VB)

Product Specifications:  
**Open Epoxy Coated Steel Hose Reel w/ 50' of 3/8" Hose, High Flow Spray Valve, Vacuum Breaker, 3/8" NPT Flexible Water Hose, Single Supply Wall Mount Faucet, 1/2" NPT Female Inlets, & (2) Wall Brackets**

equip Foodservice Accessories



2 Saddleback Cove, P.O. Box 1088  
Travelers Rest, South Carolina 29690  
Phone: 800.891.4808 Fax: 800.868.0084  
equip.tsbrass.com