



Swivel Tee w/ Vacuum Breakers

Architect/Engineering Specifications:

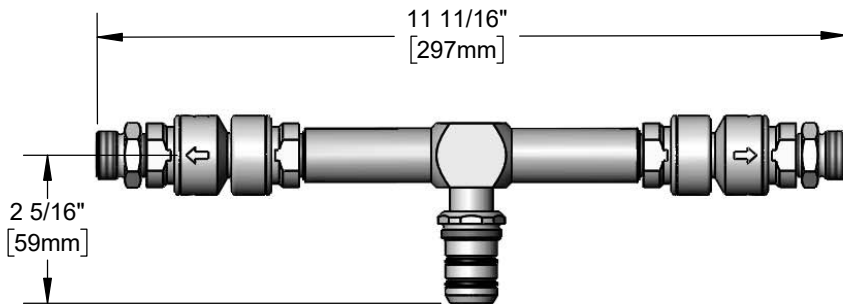
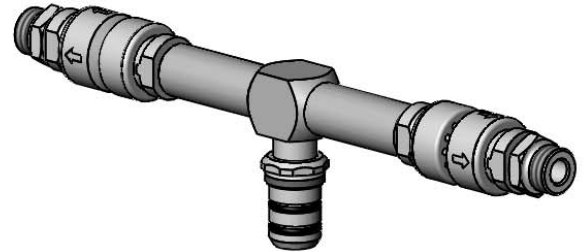
Polished chrome plated brass swivel tee assembly with swivel tee, vacuum breakers and adapter outlets. Certified to ASME A112.18.1/CSA B125.1, NSF 61-Section 9, NSF 372 and CSA B64.8.

Job Name _____

Model Specified _____ Quantity _____

Variations Specified _____

Date _____



Features & Benefits:

- Swivel tee
- 3/8" NPT vacuum breakers
- 3/8" x 3/4-14 UN adapter outlets
- Material: Polished chrome plated brass

Product Compliance:

- ASME A112.18.1 / CSA B125.1
- NSF 61 - Section 9
- NSF 372 (Low Lead Content)
- CSA B64.8 (VB)



Warranty: One Year (Limited)

Performance Data:

- Pressure: 20 - 125 psi
- Temperature: 40 °F - 140 °F
- Flow Rate: 7.27 GPM @ 60 psi

